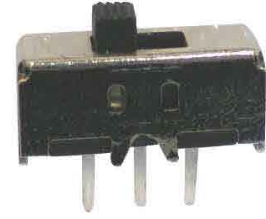


Feature :

Compact size
PCB terminal

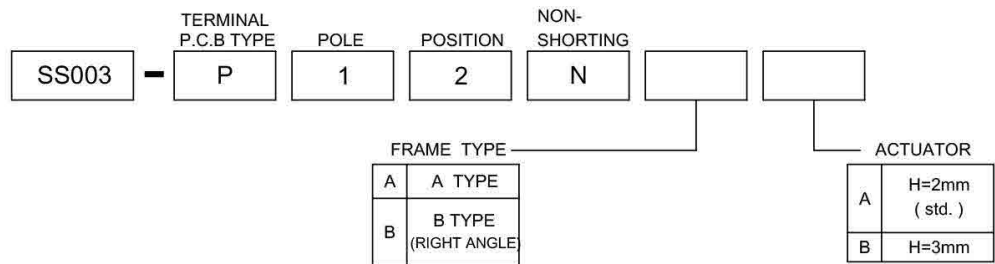
Application :

Consumer products
Computer products
Instrumentation
Communication equipments
Hand-held devices



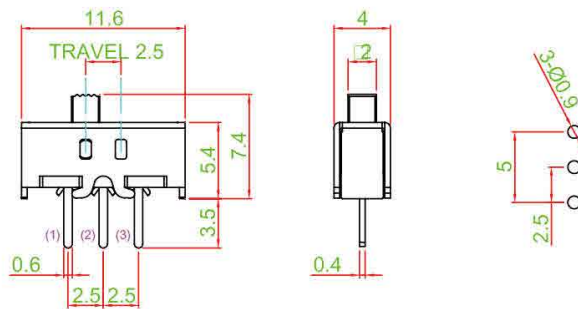
POLE - POSITION	1P2T , P.C.B TYPE
CONTACT RATING	15 V DC , 0.6 A
CONTACT RESISTANCE	50 mΩ MAX. 1.5 V DC ; 100 mA, by Method of Voltage DROP
INSULATION RESISTANCE	100 MΩ MIN. 500 V DC
DIELECTRIC STRENGTH	Breakdown is not Allowable ; 500 V AC for 1 Minute
OPERATING FORCE	250 ± 100gf MAX.
OPERATING LIFE	10,000 cycles
OPERATING TEMPERATURE RANGE	-40°C ~ 85°C
TOTAL TRAVEL	2.5 ± 0.2 mm

HOW TO ORDER

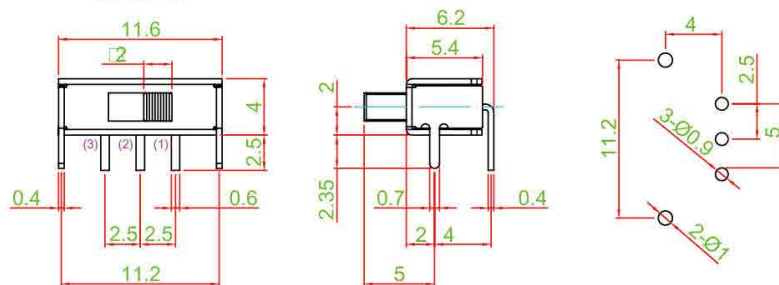


DIMENSION

· SS003-P12NAA



· SS003-P12NBB



CIRCUIT

