

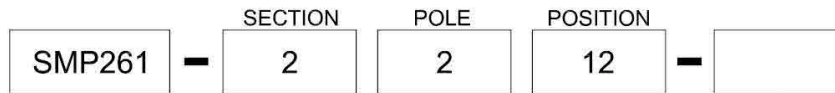
Feature :
2P12T, with colored knob and plate

Application :
Volume control in-wall



SWITCH SPECIFICATIONS	
POLE - POSITION	2P12T , P.C.B TYPE
CONTACT RATING	30 V DC , 0.3 A
CONTACT RESISTANCE	25 mΩ MAX. 1.5 V DC ; 100 mA , by Method of Voltage DROP
INSULATION RESISTANCE	100 MΩ MIN. 500 V DC
DIELECTRIC STRENGTH	Breakdown is not Allowable ; 500 V AC for 1 Minute
OPERATING FORCE	300 ± 150 gf
OPERATING LIFE	10,000 cycles
OPERATING TEMPERATURE RANGE	-20°C ~ 70°C

HOW TO ORDER

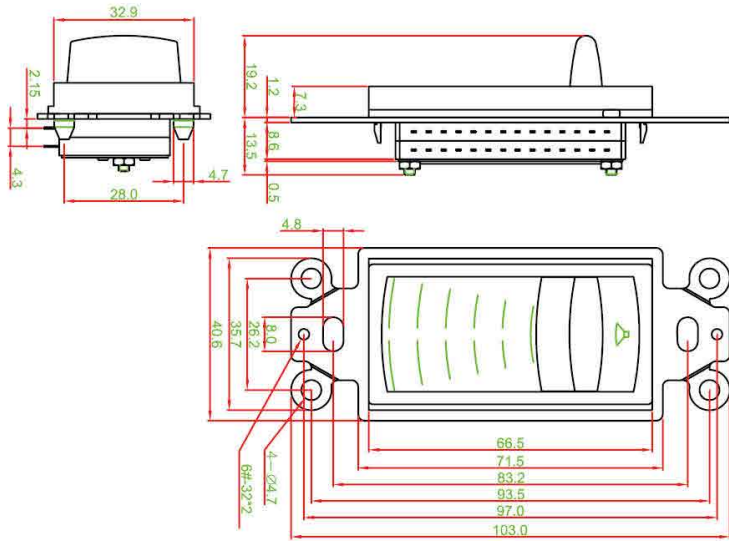


COLOR OF PLASTIC

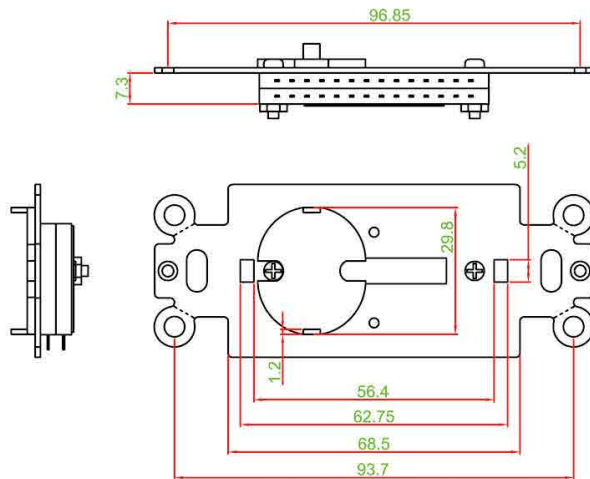
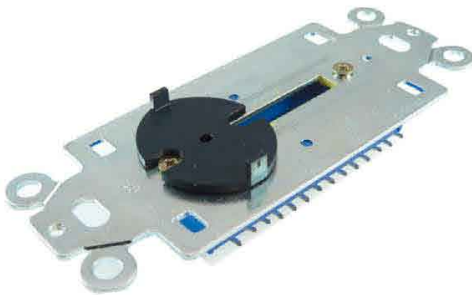
6W	White
6 I	Ivory
6A	Almond
□	Without housing

DIMENSION

• SMP261-2-2-12-6W

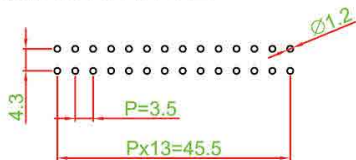


• SMP261-2-2-12

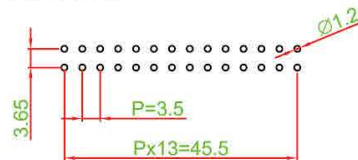


P.C.B. LAYOUT

• SMP261-2-2-12-6 □



• SMP261-2-2-12



CIRCUIT

