



淮洋有限公司 HUI YANG CO.,LTD.

TEL : 886-2-8261-8986 FAX : 886-2-8261-1885

www.hy1688.com.tw 236新北市土城區中央路二段191號10樓之5



Feature -

SPDT, right angle terminal

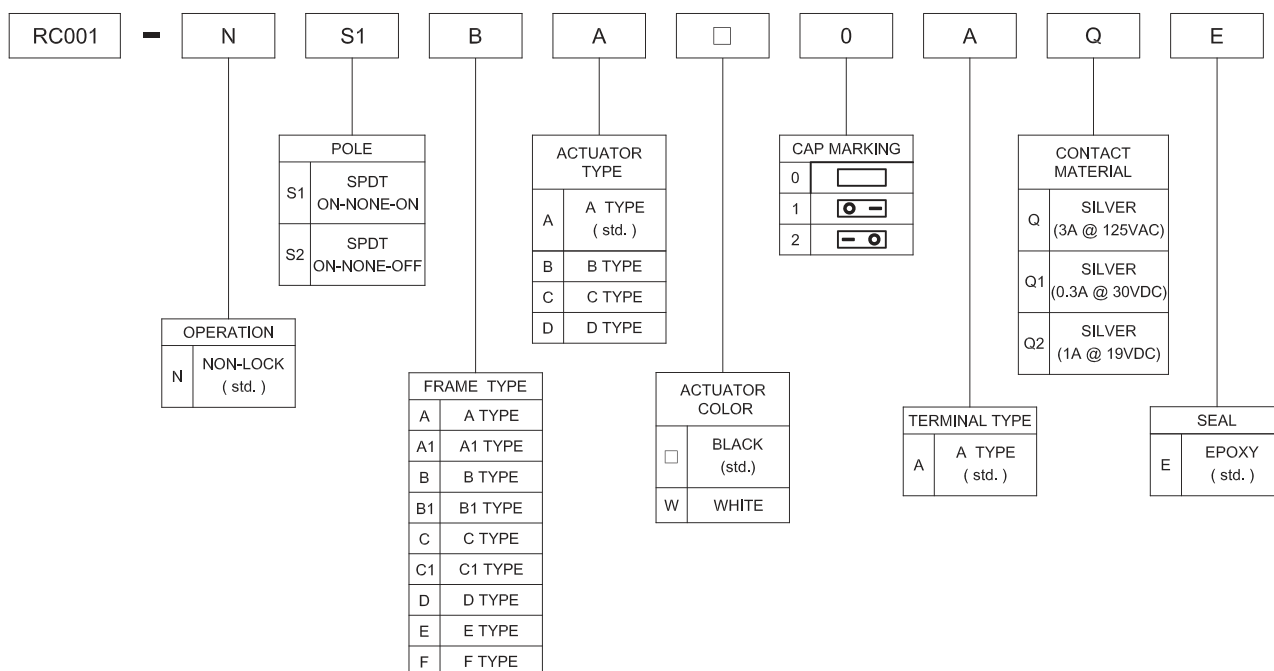
Application -

consumer products  
instrumentation  
computer products  
communication equipment

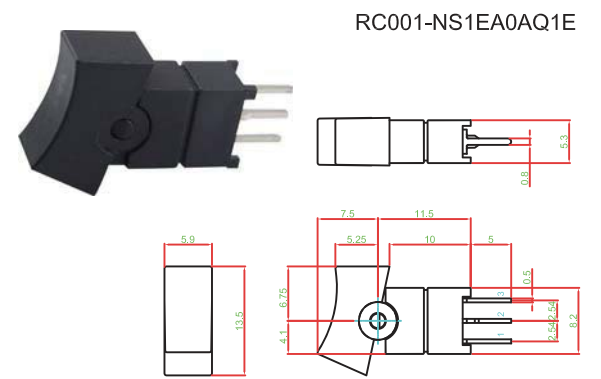
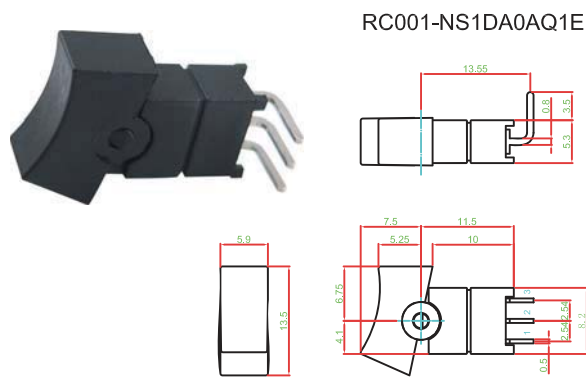
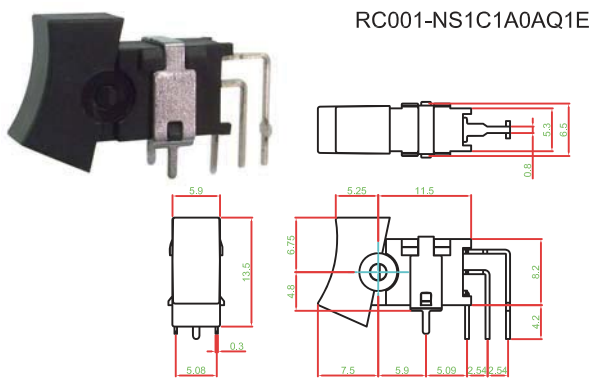
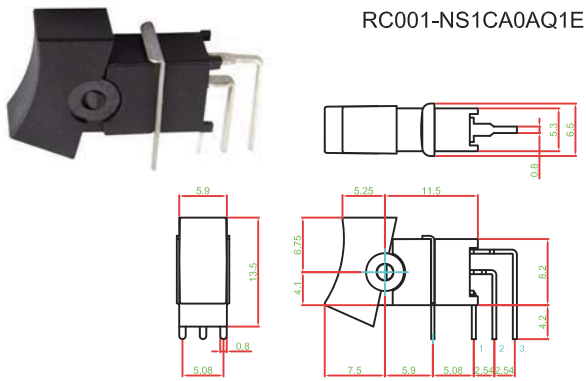
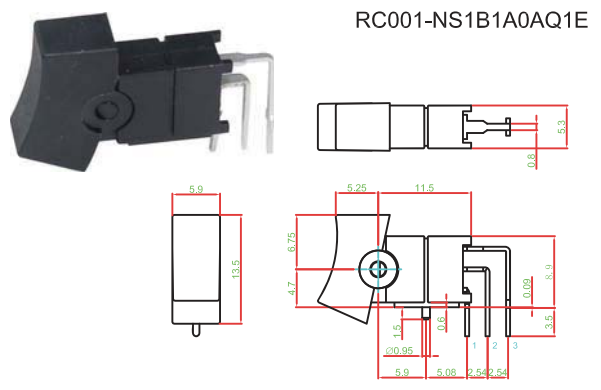
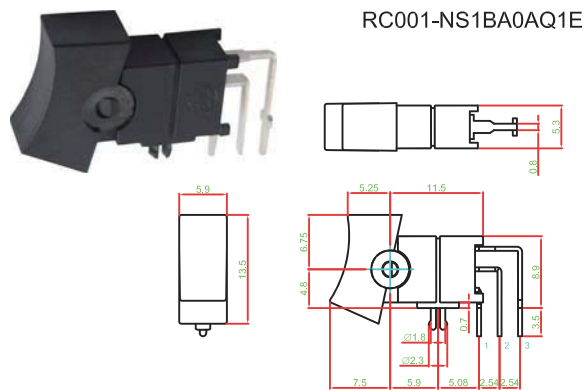
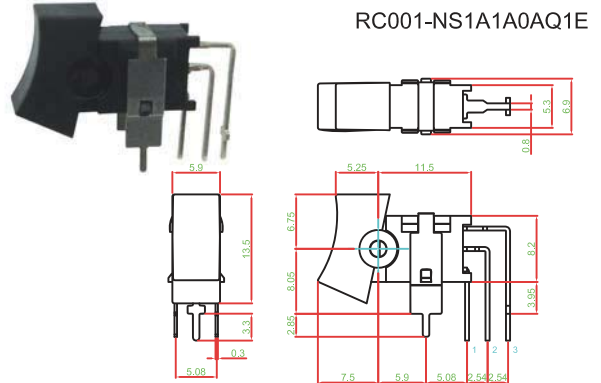
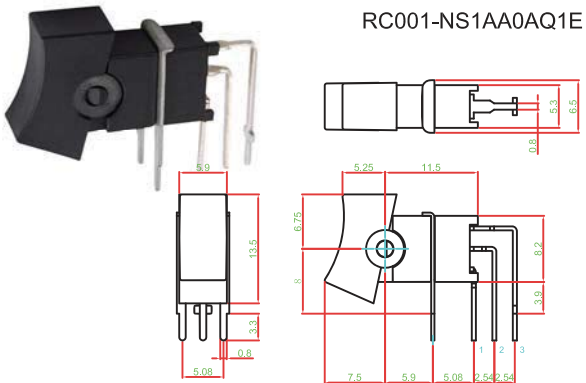
► SPECIFICATIONS

SWITCH SPECIFICATIONS	
POLE - POSITION	SPDT ON - NONE - ON ; ON - NONE - OFF
CONTACT RATING	3Amps with resistive load @ 125VAC or 28VDC
CONTACT RESISTANCE	20 mΩ max. 1.5 V DC ; 100 mA , by Method of Voltage DROP
INSULATION RESISTANCE	1000 MΩ min. 500 V DC
DIELECTRIC STRENGTH	Breakdown is not Allowable ; 1000 V AC for 1 Minute
OPERATING FORCE	300 ± 100 gf
OPERATING LIFE	10,000 cycles
OPERATING TEMPERATURE RANGE	-30°C ~ 85°C
TOTAL TRAVEL	2.2 ± 0.3 mm

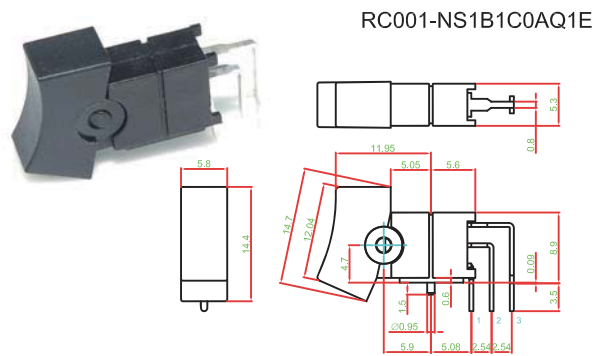
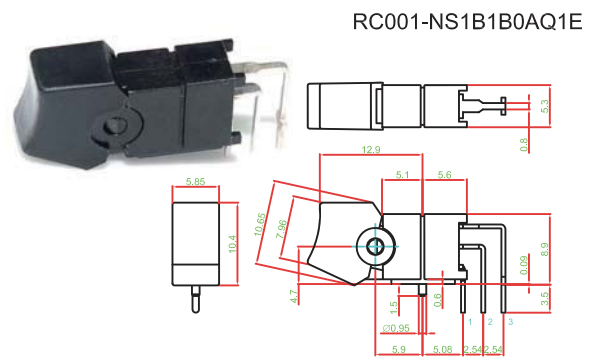
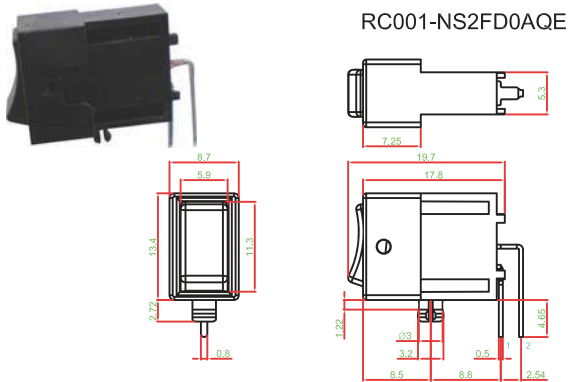
► HOW TO ORDER



▶ DIMENSION

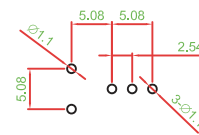


► DIMENSION

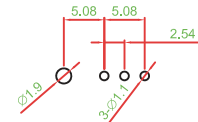


► P.C.B LAYOUT

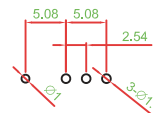
FRAME A · A1 & C · C1



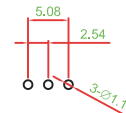
FRAME B



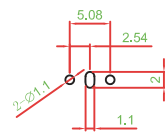
FRAME B1



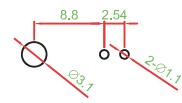
FRAME D



FRAME E



FRAME F



► SCHEMATIC

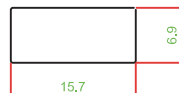
SCHEMATIC	
Model	Position
1 2 3	1 2 3

► PANEL MOUNTING

A-type actuator :



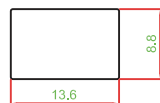
C-type actuator :



B-type actuator :



D-type actuator :



► PANEL MOUNTING

- ACTUATOR : PA + GF
- TERMINAL : BRONZE SILVER PLATING
- FRAME : PA + GF
- SPRING : STAINLESS STEEL
- KNOB : PA + GF
- CONTACT : PHOSPHOR BRONZE
- BRACKET : STAINLESS STEEL