



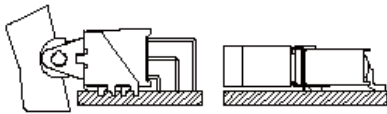
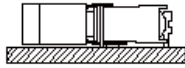
淮 洋 有 限 公 司 HUI YANG CO.,LTD.

TEL : 886-2-8261-8986 FAX : 886-2-8261-1885

www.hy1688.com.tw 236新北市土城區中央路二段191號10樓之5

Series 400B

Sealed Surface Mount Rocker Switches



SPECIFICATIONS:

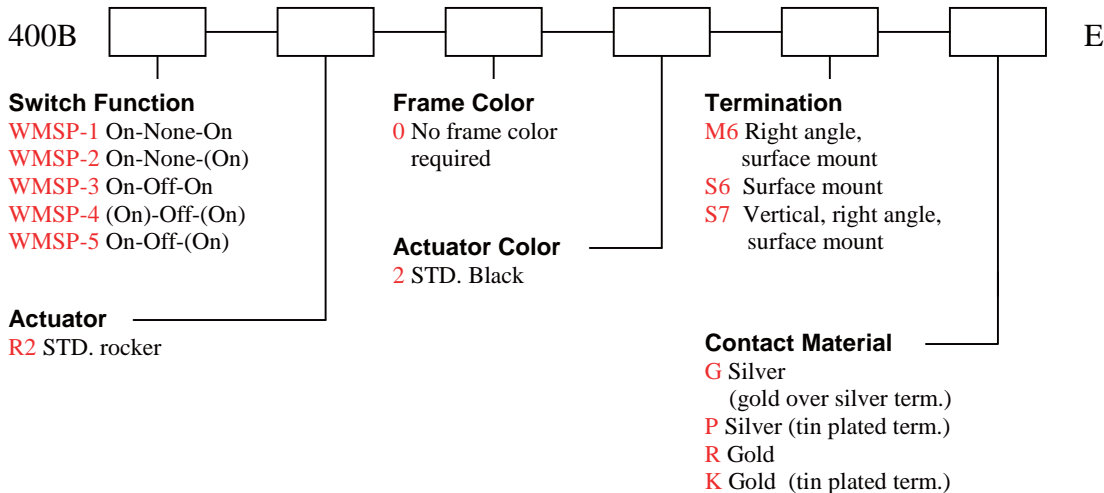
CONTACT RATING: Refer to "Contact Material Options" for more info.  
 ELECTRICAL LIFE: 30,000 make-and-break cycles at full load.  
 CONTACT RESISTANCE: 20mΩ max. initial @2-4 VDC  
 100mA, for both silver and gold plated contacts.  
 INSULATION RESISTANCE: 1,000MΩ min.  
 DIELECTRIC STRENGTH: 1500V RMS max. @ sea level.  
 OPERATING TEMPERATURE: -30°C to 85°C.

MATERIALS:

CASE & BUSHING: Glass filled nylon 4/6, flame retardant, heat stabilized (UL 94V-0).  
 ACTUATOR: Nylon, black std, internal o-ring sealed (std).  
 SWITCH SUPPORT: Brass, tin plated.  
 TERMINAL SEAL: Epoxy.

If your preferred product configuration is not shown, please contact our sales representative for custom design.

HOW TO ORDER SYSTEM



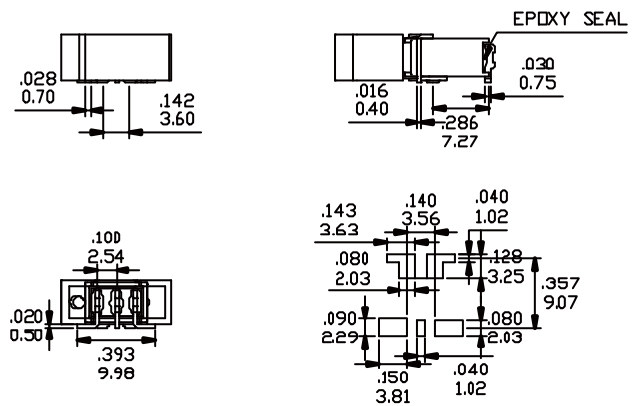
# Series 400B

# Sealed Surface Mount Rocker Switches

M6

Model No.	Switching Position		
	ON	NONE	ON
WMSP-1	ON	NONE	ON
WMSP-2	ON	NONE	(ON)
WMSP-3	ON	OFF	ON
WMSP-4	(ON)	OFF	(ON)
WMSP-5	ON	OFF	(ON)
Term. Comm.	2-3	OPEN	2-1

Schematic O2Comm.  
 $1 \begin{matrix} \nearrow \\ \searrow \end{matrix} 3 \bullet$

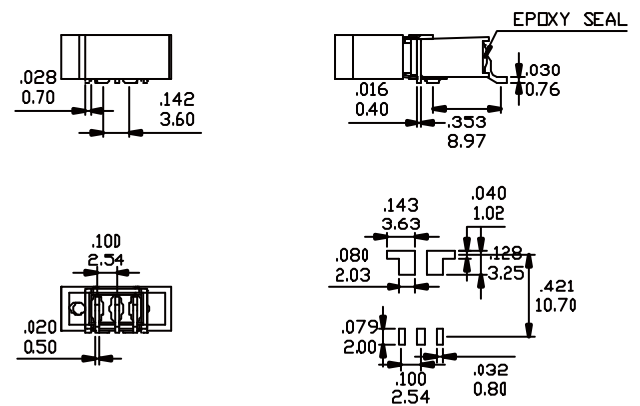


SPDT

S6

Model No.	Switching Position		
	ON	NONE	ON
WMSP-1	ON	NONE	ON
WMSP-2	ON	NONE	(ON)
WMSP-3	ON	OFF	ON
WMSP-4	(ON)	OFF	(ON)
WMSP-5	ON	OFF	(ON)
Term. Comm.	2-3	OPEN	2-1

Schematic O2Comm.  
 $1 \begin{matrix} \nearrow \\ \searrow \end{matrix} 3 \bullet$

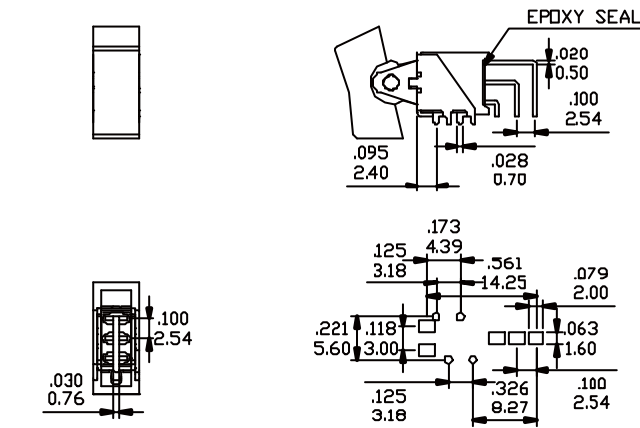


SPDT

S7

Model No.	Switching Position		
	ON	NONE	ON
WMSP-1	ON	NONE	ON
WMSP-2	ON	NONE	(ON)
WMSP-3	ON	OFF	ON
WMSP-4	(ON)	OFF	(ON)
WMSP-5	ON	OFF	(ON)
Term. Comm.	2-3	OPEN	2-1

Schematic O2Comm.  
 $1 \begin{matrix} \nearrow \\ \searrow \end{matrix} 3 \bullet$



SPDT

## TERMINATION OPTIONS

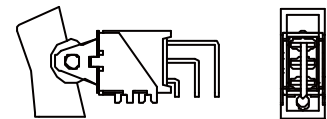
M6



S6



S7



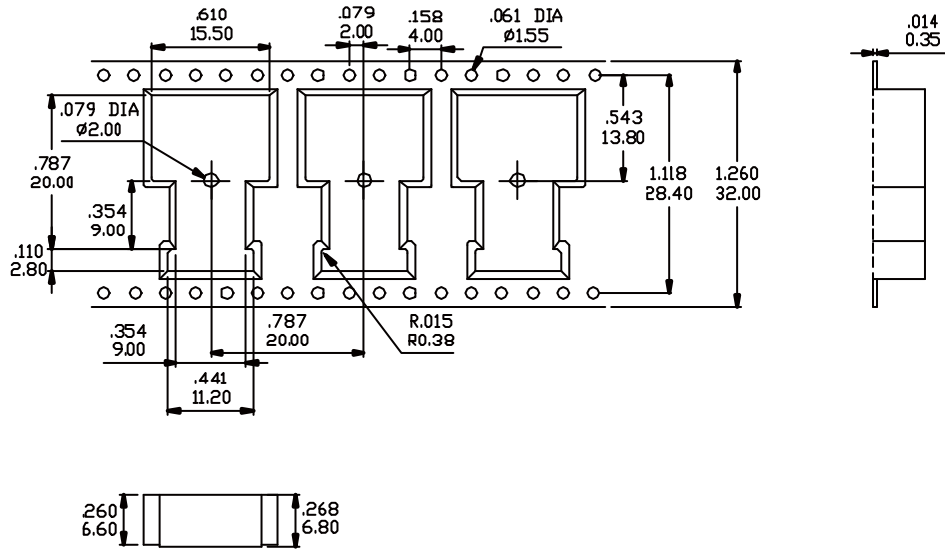
( ) = MOMENTARY

# Series 400B

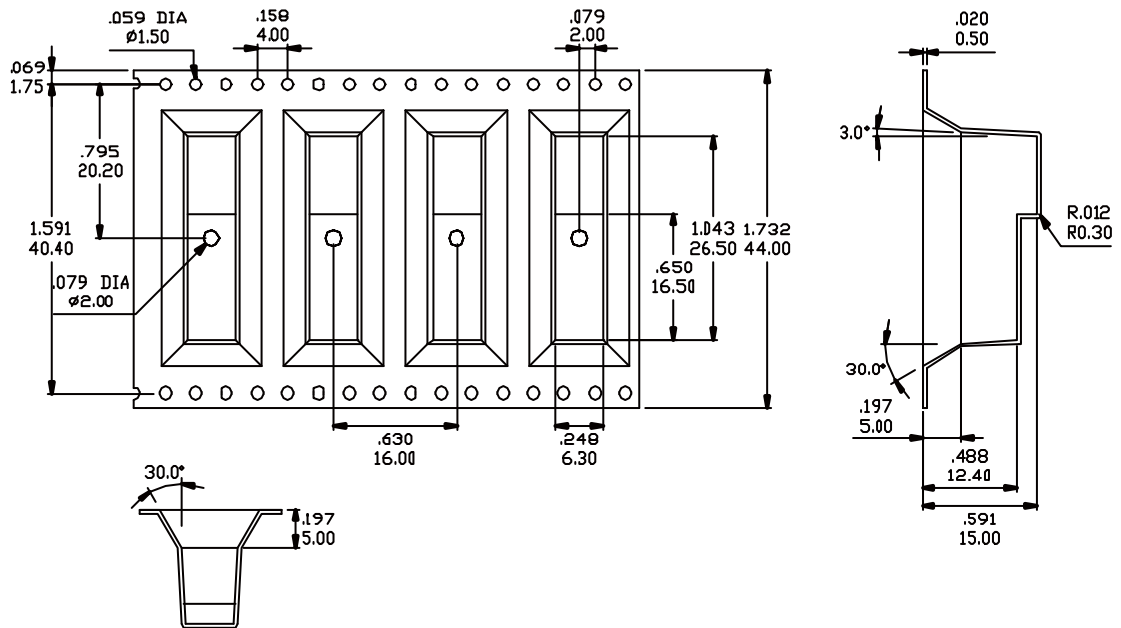
# Sealed Surface Mount Rocker Switches

## REEL TAPING

FOR M6,S6 ONLY



FOR S7 ONLY



## REEL TAPING

REEL INFORMATION	
OUTSIDE DIAMETER	330mm(12.99")
PILOT HOLE	13mm(.502")
QUANTITY PER REEL	500

## CONTACT MATERIAL OPTIONS

Coding	Contact Material	Terminal Plating	Rating	Agency Approvals
Q	Silver <sup>1</sup>	Silver plated <sup>1</sup>	3Amps @ 125VAC or 28VDC 1.5Amps @ 250VAC	IP67
P		Tin plated <sup>5</sup>		
R	Gold <sup>2</sup>	Gold plated <sup>4</sup>	0.4VA max @ 20V max (AC or DC)	IP67
K		Tin plated <sup>5</sup>		
G	Silver <sup>1</sup>	Gold over <sup>3</sup> silver	3Amps @ 125VAC or 28VDC 1.5Amps @ 250VAC	IP67

1. Movable Contact / Terminals: Copper alloy, silver plated.
2. Movable Contact: Copper alloy with gold plated over nickel plated.
3. Terminals: Silver plated with outer layer in gold plating.
4. Terminals: Copper alloy, with gold plated over nickel plated.
5. Outer Terminals: Copper alloy with tin over nickel plated.
6. Terminal Contact: Gold plated over nickel plated.
7. Terminal Contact: Palladium nickel alloy plated.