



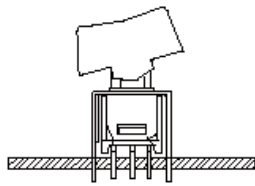
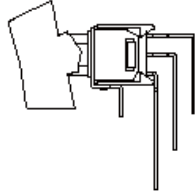
淮 洋 有 限 公 司 HUI YANG CO., LTD.

TEL : 886-2-8261-8986 FAX : 886-2-8261-1885

www.hy1688.com.tw 236新北市土城區中央路二段191號10樓之5

Series 400

Sub-Miniature Rocker Switches



SPECIFICATIONS:

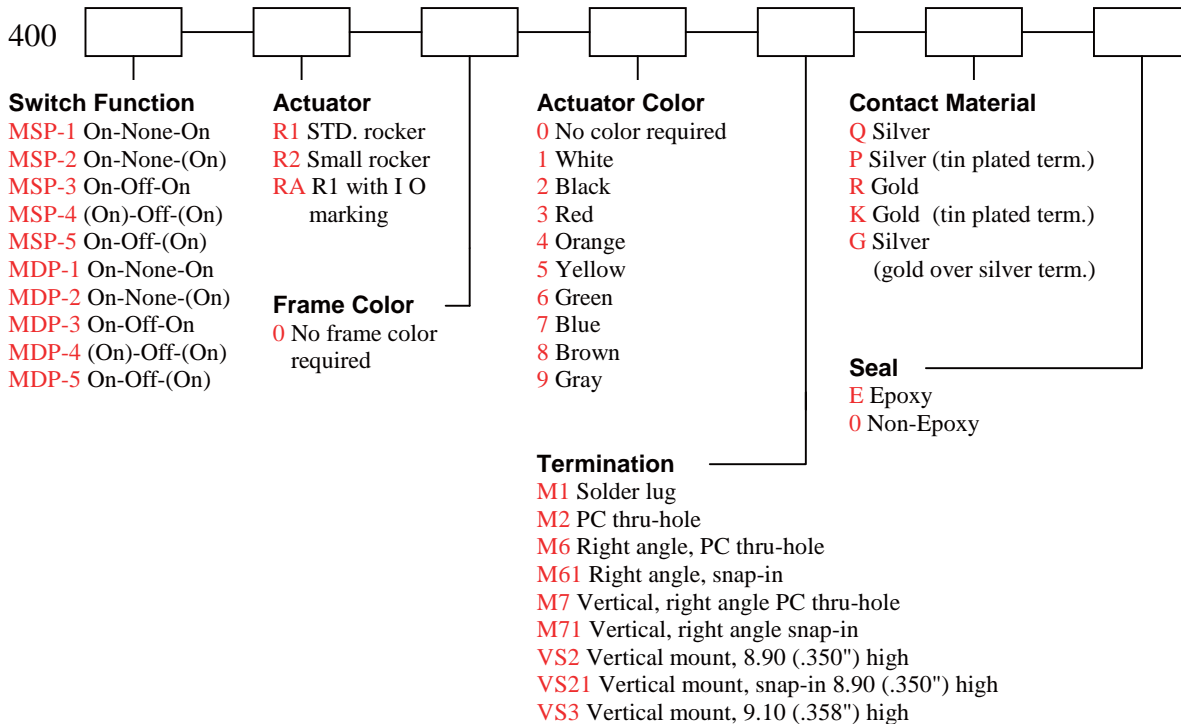
CONTACT RATING: Refer to "Contact Material Options" for more info.
 ELECTRICAL LIFE: 30,000 make-and-break cycles at full load.
 CONTACT RESISTANCE: 20mΩ max. initial @ 2-4 VDC
 100mA for both silver and gold plated contacts.
 INSULATION RESISTANCE: 1,000MΩ min.
 DIELECTRIC STRENGTH: 1,500 V RMS @ sea level.
 OPERATING TEMPERATURE: -30°C to 85°C.

MATERIALS:

CASE: Diallyl phthalate(DAP)(UL 94V-0).
 ROCKER: Nylon(UL 94V-0).
 BUSHING: Brass, nickel plated.
 HOUSING: Stainless Steel.
 SWITCH SUPPORT: Brass, tin plated.
 TERMINAL SEAL: Epoxy.

If your preferred product configuration is not shown, please contact our sales representative for custom design.

HOW TO ORDER SYSTEM

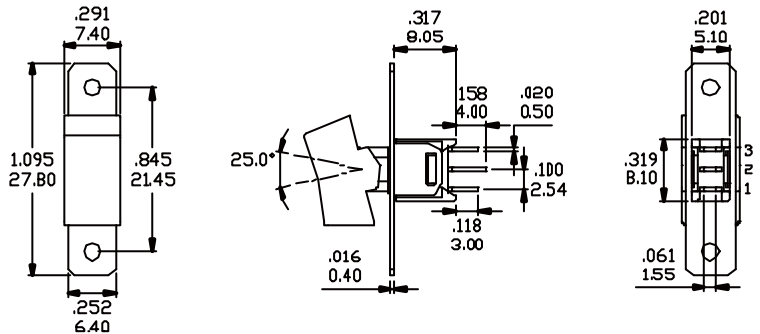


Series 400

Sub-Miniature Rocker Switches

SPDT

Model No.	Switching Position		
	ON	NONE	ON
MSP-1	ON	NONE	ON
MSP-2	ON	NONE	(ON)
MSP-3	ON	OFF	ON
MSP-4	(ON)	OFF	(ON)
MSP-5	ON	OFF	(ON)
TERM. COMM.	2-3	OPEN	2-1



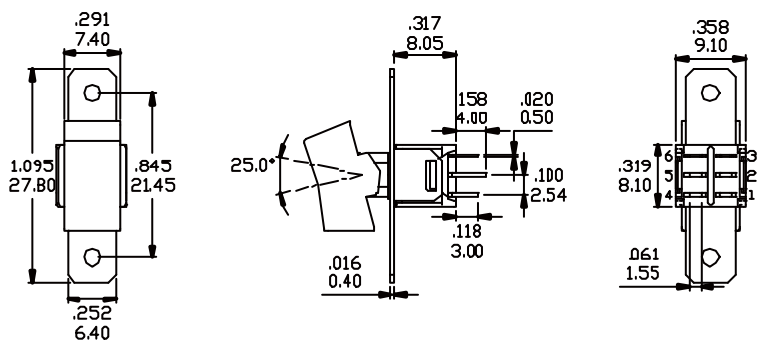
Schematic

O2Comm.



DPDT

Model No.	Switching Position		
	ON	NONE	ON
MDP-1	ON	NONE	ON
MDP-2	ON	NONE	(ON)
MDP-3	ON	OFF	ON
MDP-4	(ON)	OFF	(ON)
MDP-5	ON	OFF	(ON)
TERM. COMM.	2-3,5-6	OPEN	2-1,5-4



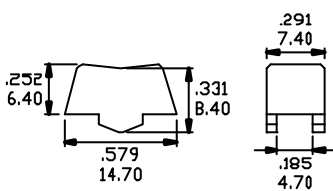
Schematic

O2Comm. O5Comm.

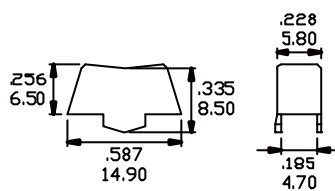


ACTUATOR OPTIONS

R1



R2



ACTUATOR COLORS	
1	White
2	Black(std.)
3	Red
4	Orange
5	Yellow
6	Green
7	Blue
8	Brown
9	Gray

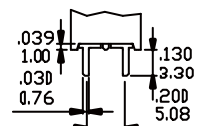
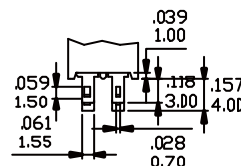
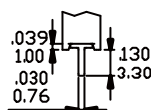
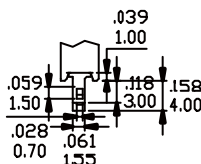
TERMINATION OPTIONS

M1 STD. SOLDER LUG

M2 PC THRU-HOLE

M1 STD. SOLDER LUG

M2 PC THRU-HOLE



SP

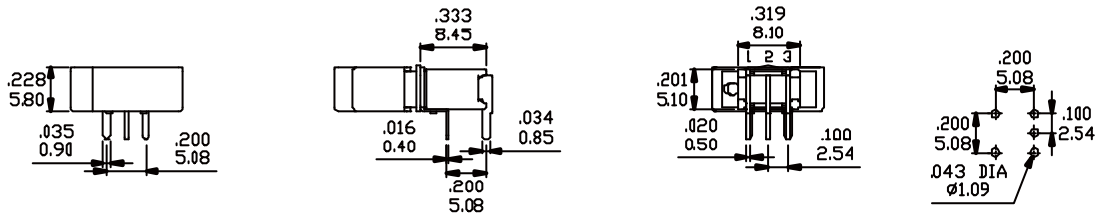
DP

() = MOMENTARY

TERMINATION OPTIONS

M6

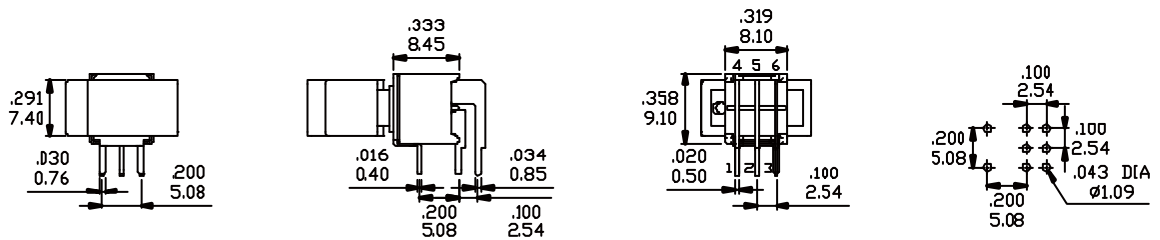
P.C.MOUNTING



SPDT

M6

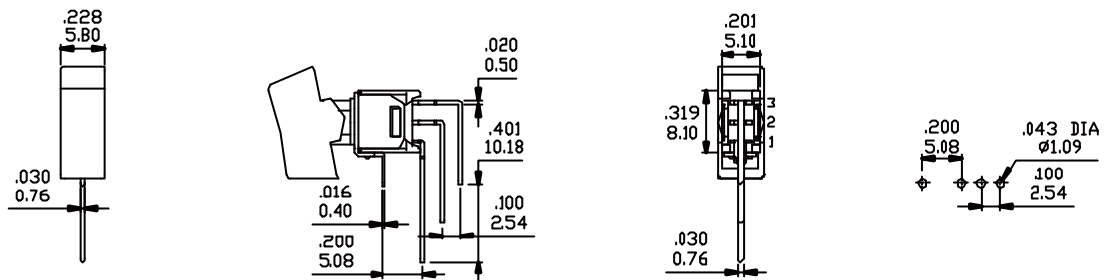
P.C.MOUNTING



DPDT

M7

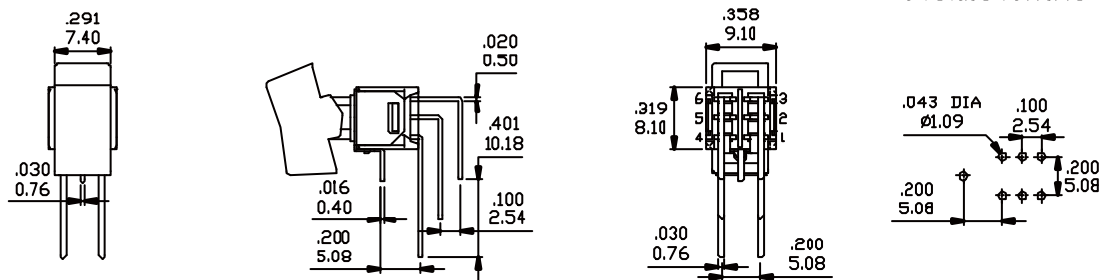
P.C.MOUNTING



SPDT

M7

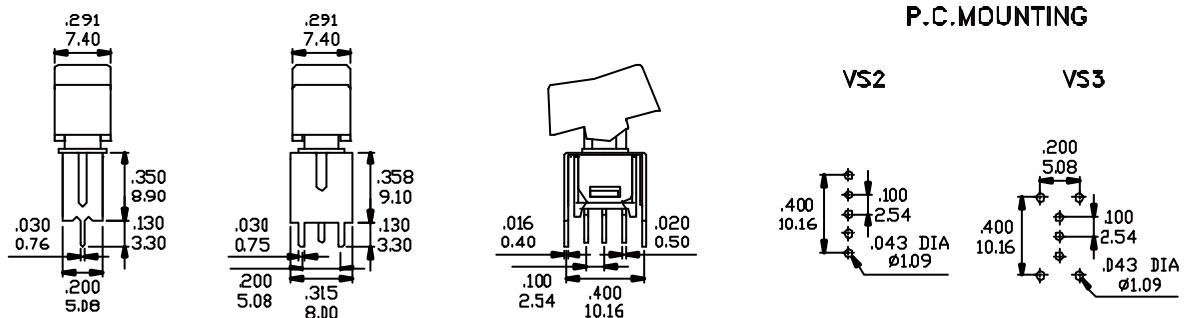
P.C.MOUNTING



DPDT

VS2-VS3

P.C.MOUNTING

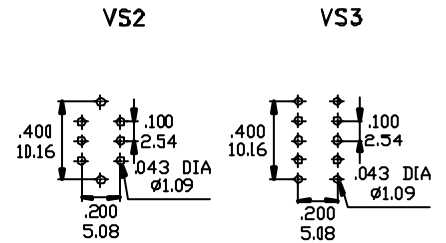
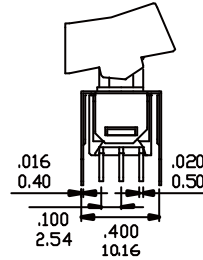
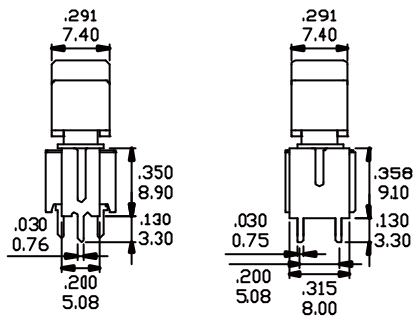


SPDT

TERMINATION OPTIONS

VS2-VS3

P.C.MOUNTING



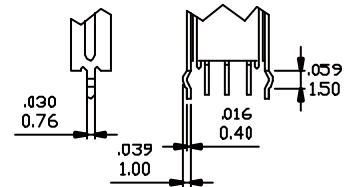
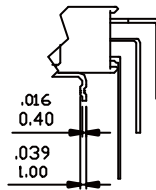
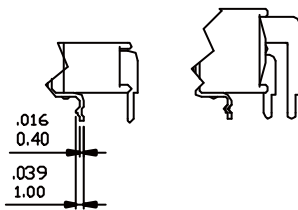
DPDT

SNAP-IN TERMINATION OPTIONS

M61

M71

VS21



* PC Mounting for M61,M71,VS21 refer to M6,M7,VS2 respectively.

CONTACT MATERIAL OPTIONS

Coding	Contact Material	Terminal Plating	Rating	Agency Approvals
Q	Silver ¹	Silver plated ¹	3Amps @ 125VAC or 28VDC 1.5Amps @ 250VAC	
P		Tin plated ⁵ 7		
R	Gold ²	Gold plated ⁴	0.4VA max @ 20V max (AC or DC)	
K		Tin plated ⁵ 6		
G	Silver ¹	Gold over ³ silver	3Amps @ 125VAC or 28VDC 1.5Amps @ 250VAC	

1. Movable Contact / Terminals: Copper alloy, silver plated.
2. Movable Contact: Copper alloy with gold plated over nickel plated.
3. Terminals: Silver plated with outer layer in gold plating.
4. Terminals: Copper alloy, with gold plated over nickel plated.
5. Outer Terminals: Copper alloy with tin over nickel plated.
6. Terminal Contact: Gold plated over nickel plated.
7. Terminal Contact: Palladium nickel alloy plated.

* P, K is not available with M1 terminal.