


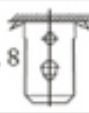
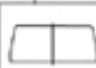
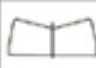






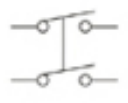
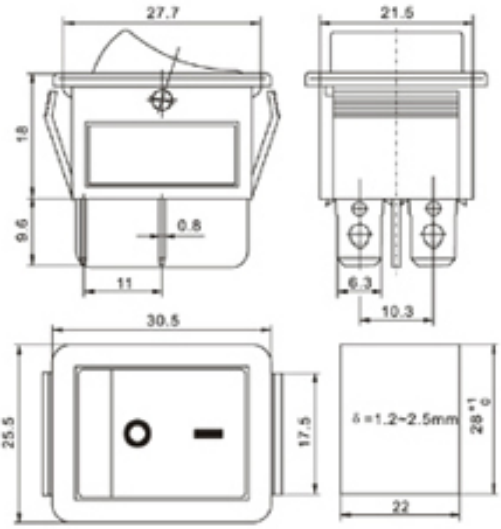
额定电流、电压
16(4)A 250VAC
16A 250VAC/16A 125VAC T125
接触电阻: $\leq 20m\Omega$
绝缘电阻: $\geq 100M\Omega$
介电强度: $\geq 1500VAC/5S$
电气寿命: ≥ 10000 次

Rating:
16(4)A 250VAC
16A 250VAC/16A 125VAC T125
Contact Resistance: $\leq 20m\Omega$
Insulation Resistance: $\geq 100M\Omega$
Dielectric intensity: $\geq 1500VAC/5S$
Electrical Life: ≥ 10000 Cycles


RS606	2	01	0	1	1	A	B	B
系列号 Series	极 Poles	开关功能 Function	带灯状况 Illuminated	开关标志 Marking	端子规格 Terminal Type	按钮类型 Actuator Type	按钮颜色 Actuator Colour	底座颜色 Base Colour
2	双极 2 Double Pole	01 ON-OFF 02 ON-ON 03 ON-OFF-ON	0 不带灯 NO Illuminated N 220V氖灯 220V Neon Lamp	0 空白 No Marking 1  2 OFF ON 3  4 	1 6.3x0.8 	A  B  C 	B 黑色 Black R 红色 Red G 绿色 Green	B 黑色 Black R 红色 Red W 白色 White




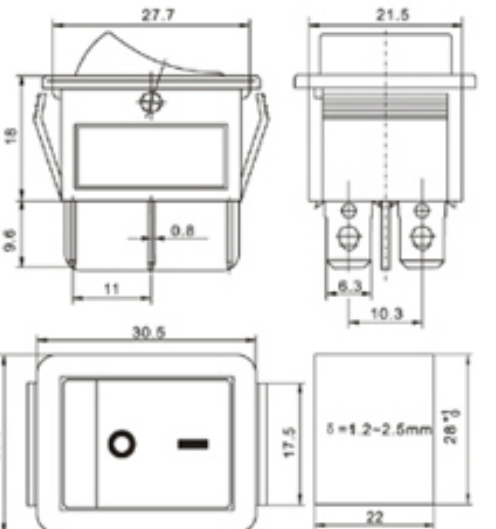
RS606-201011CBB


Dimensions: 27.7, 21.5, 16, 9.6, 11, 0.8, 6.3, 10.3, 30.5, 17.5, 28⁺⁰, 22, $\delta = 1.2-2.5mm$



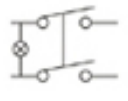
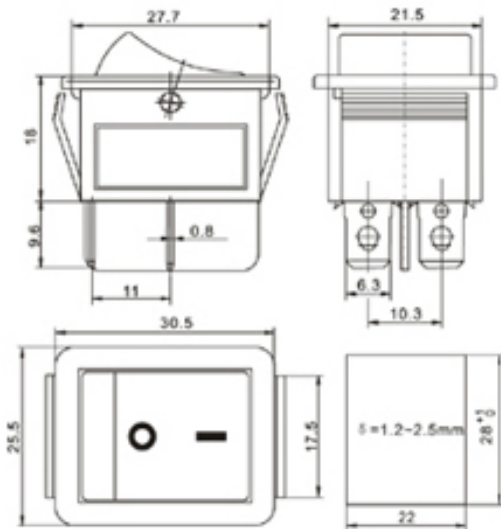
RS606-202011CBB


Dimensions: 27.7, 21.5, 16, 9.6, 11, 0.8, 6.3, 10.3, 30.5, 17.5, 28⁺⁰, 22, $\delta = 1.2-2.5mm$




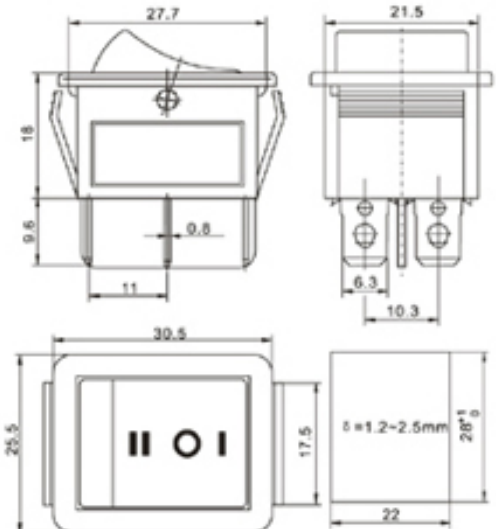
RS606-201N11CRB

Dimensions: 27.7, 21.5, 16, 9.6, 11, 0.8, 6.3, 10.3, 30.5, 17.5, 28⁺⁰, 22, $\delta = 1.2-2.5mm$



RS606-203031CBB




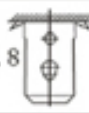
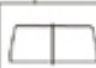
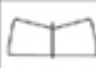





Dimensions: 27.7, 21.5, 16, 9.6, 11, 0.8, 6.3, 10.3, 30.5, 17.5, 28⁺⁰, 22, $\delta = 1.2-2.5mm$



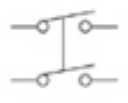
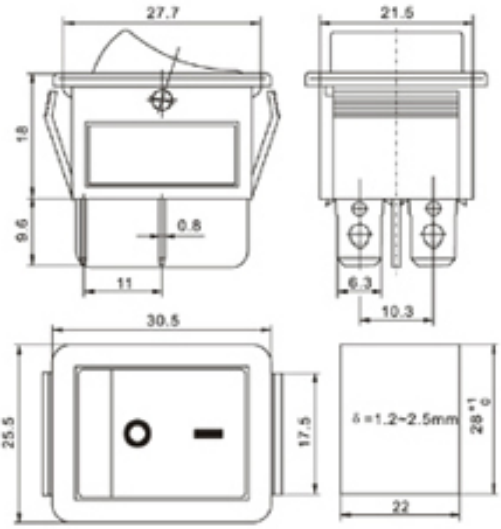
额定电流、电压
16(4)A 250VAC
16A 250VAC/16A 125VAC T125
接触电阻: $\leq 20m\Omega$
绝缘电阻: $\geq 100M\Omega$
介电强度: $\geq 1500VAC/5S$
电气寿命: ≥ 10000 次

Rating:
16(4)A 250VAC
16A 250VAC/16A 125VAC T125
Contact Resistance: $\leq 20m\Omega$
Insulation Resistance: $\geq 100M\Omega$
Dielectric intensity: $\geq 1500VAC/5S$
Electrical Life: ≥ 10000 Cycles


RS606	2	01	0	1	1	A	B	B
系列号 Series	极 Poles	开关功能 Function	带灯状况 Illuminated	开关标志 Marking	端子规格 Terminal Type	按钮类型 Actuator Type	按钮颜色 Actuator Colour	底座颜色 Base Colour
2	双极 2 Double Pole	01 ON-OFF 02 ON-ON 03 ON-OFF-ON	0 不带灯 NO Illuminated N 220V氖灯 220V Neon Lamp	0 空白 No Marking 1  2 OFF ON 3  4 	1 6.3x0.8 	A  B  C 	B 黑色 Black R 红色 Red G 绿色 Green	B 黑色 Black R 红色 Red W 白色 White




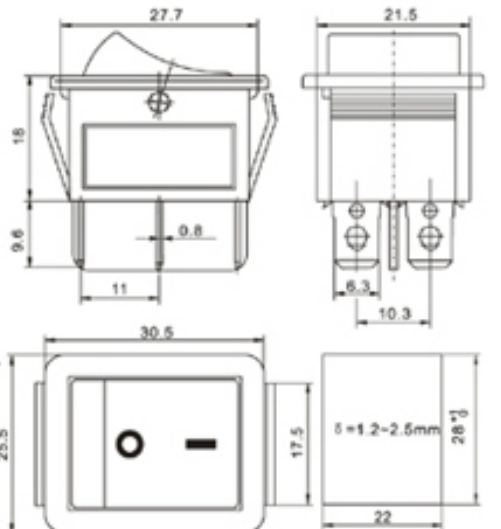
RS606-201011CBB


Dimensions: 27.7, 21.5, 16, 9.6, 11, 0.8, 6.3, 10.3, 30.5, 17.5, 28⁺⁰, 22, $\delta = 1.2-2.5mm$



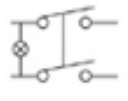
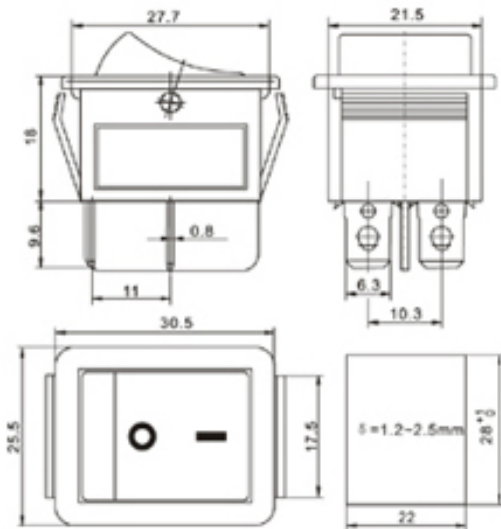
RS606-202011CBB


Dimensions: 27.7, 21.5, 16, 9.6, 11, 0.8, 6.3, 10.3, 30.5, 17.5, 28⁺⁰, 22, $\delta = 1.2-2.5mm$




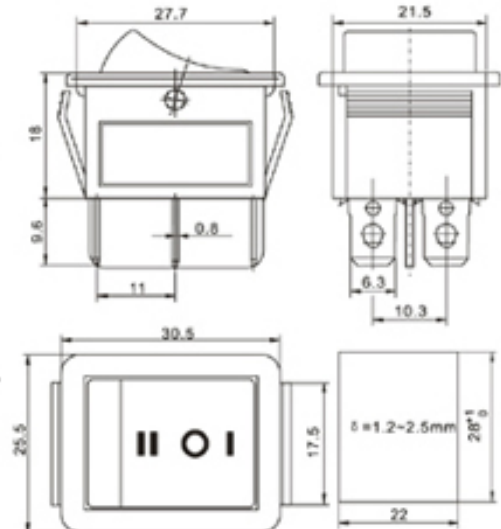
RS606-201N11CRB

Dimensions: 27.7, 21.5, 16, 9.6, 11, 0.8, 6.3, 10.3, 30.5, 17.5, 28⁺⁰, 22, $\delta = 1.2-2.5mm$



RS606-203031CBB

Dimensions: 27.7, 21.5, 16, 9.6, 11, 0.8, 6.3, 10.3, 30.5, 17.5, 28⁺⁰, 22, $\delta = 1.2-2.5mm$