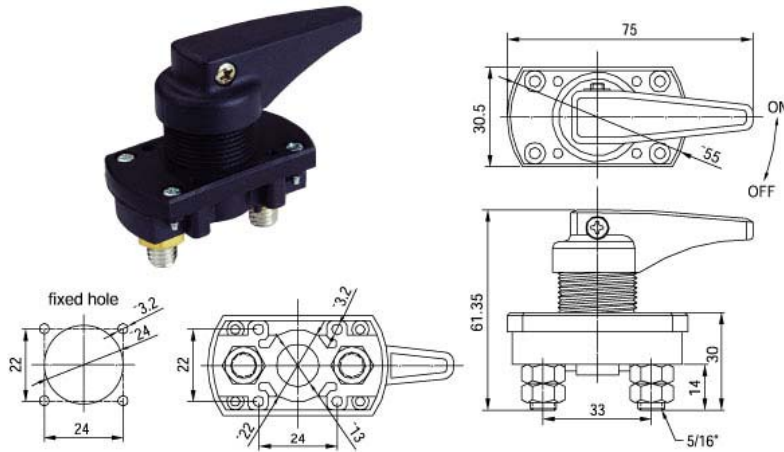


電池保護開關 TK-66



Specifications :

- *Voltage Rating: 24 VDC / 32 VDC Maximum.
- *Amperage Rating: 250A Continuous (1 hr)
300A Intermittent (5 min) .
- *Housing Material: Nylon #66 UL 94V-2.
- *Contact Material: CDA 110 Electrical Copper.
- *Terminal Stud: 5/16" (7.9mm) Copper
- *Terminal Nut: 5/16" (7.9mm) Brass
- *Cable Clearance: 7/8" (22.3mm) For Surface
Mounting 4/0 AWG Wire