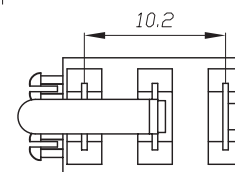
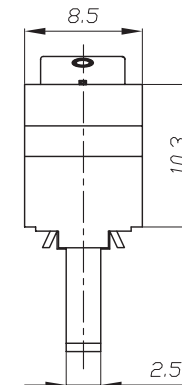
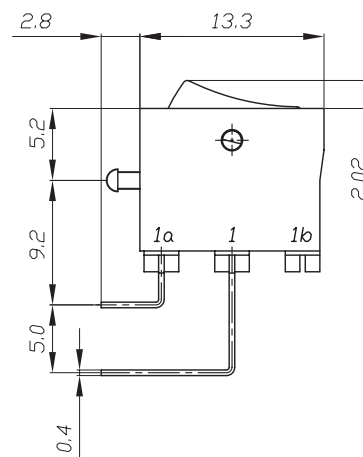
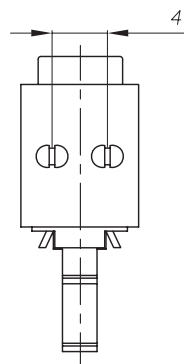


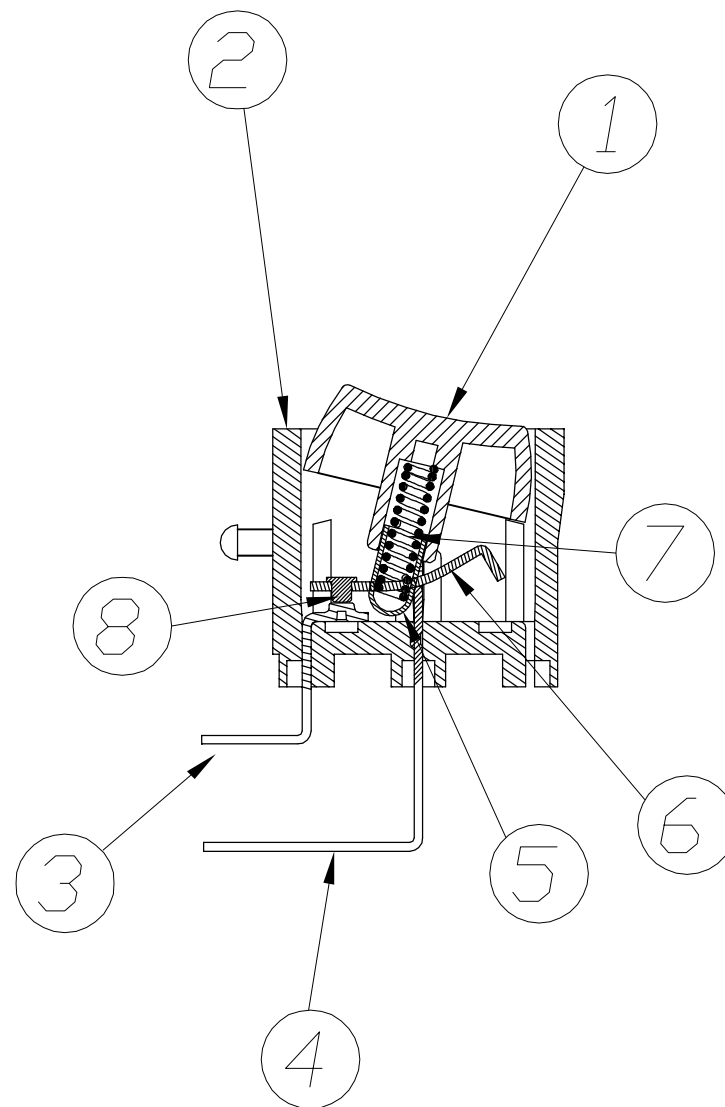
- 1.ROCKER SWITCH MODEL SS01(BBIWL-RP20-R)
- 2.PCB CONNECTOR TYPE; SINGLE POLE SINGLE THROW)
- 3.RATING: 3A 125/250VAC
- 4.CONTACT RESISTANT: <20mΩ (INITIAL)
- 5.INSULATION RESISTANCE: >100MΩ
(500VDC BETWEEN OPEN CONTACTS)
- 6.DIELECTRIC STRENGTH: 1500V 1MIN
- 7.MECHANICAL LIFE: >30000 CYCLES
- 8.ELECTRICAL LIFE: >10000 CYCLES
- 9.TEMPERATURE RISE AT THE TERMINAL: MAX. 30°C
- 10.SOLDER ABILITY OF TERMINAL: MAX350°C, 3S
(NO PRESSURE MAY BE
PLACED IN THE TERMINALS WHEN SOLDERING BY HAND)
- 11.ACTUATOR & HOUSING COLOR: BLACK
- 12.ACTUATOR PRINTING COLOR: WHITE
- 13.ALL MATERIALS ARE ROHS COMPLIANT



修正 REVISION	說明 DESCRIPTION	核准 APPROVED BY	SPECIFICATION				公差 TOLERANCES		TOLERANCES UNLESS OTHERWISE SPEC .±0.30, ANG.±3°		
			製圖 DRAWN BY	設計 DESIGNED BY	校對 CHECKED BY	核准 APPROVED BY	單位 UNIT	mm/in	機種名稱 MODEL NAME	機種編號 MODEL NO.	SS01(BBIWL-RP20-R)
△							比例 SCALE	1:1	淮洋有限公司 HUI YANG CO., LTD. www.hy1688.com.tw		
△						日期 DATE	19-Jan-10				
△			陳先明	唐雙罕							

MATERIAL DESCRIPTION FOR SS01 SERIES

NO.	PART NAME	MATERIAL DESCRIPTION
1	ACTUATOR	PC UL94V-0
2	HOUSING	NYLON66 UL94V-0
3	SHORT-TERMINAL	BRASS, TIN PLATED
4	LONG-TERMINAL	
5	ROLLER	BRASS, NICKEL PLATED
6	CONTACT	BRASS, SILVER PLATED
7	SPRING	STAINLESS STEEL WIRE
8	SILVER CONTACT	Ag ALLOY
ALL MATERIALS ARE ROHS COMPLIANT		



修正 REVISION	說明 DESCRIPTION	核准 APPROVED BY	SPECIFICATION				公差 TOLERANCES		TOLERANCES UNLESS OTHERWISE SPEC .±0.30, ANG.±3°			
△			製圖 DRAWN BY	設計 DESIGNED BY	校對 CHECKED BY	核准 APPROVED BY	單位 UNIT	mm/in	機種名稱 MODEL NAME	ROCKER SW	機種編號 MODEL NO.	SS01(BBIWL-RP20-R)
△							比例 SCALE		淮洋有限公司 HUAI YANG CO., LTD. www.hy1688.com.tw			
△			Jan 19, 2010	Jan 19, 2010	Jan 19, 2010		日期 DATE					
△			陳先明	唐雙軍	唐雙軍	吉慶玉						

淮洋有限公司 HUI YANG CO., LTD.

SS01 SERIES ORDERING SYSTEM

