

PCB Terminal Type

Specification :

Contact resistance: 20mΩ max. (initial)

Insulation resistance: 50MΩ min. (at 500V DC)

Dielectric strength: 1,500V AC 50/60 Hz for 1 minute

Service life: Mechanically: 100,000 operations min.

Electrically: 30,000 operations min.

Rating : 3A 125V AC / 1.5A 250V AC

Function: ON - OFF DPST

TOLERANCES

X. ± 0.3
X.X ± 0.2
X.XX ± 0.1

UNLESS NOTED

MIN WALL THICKNESS
MAX. DRAFT 2 / SIDE
ALL RADII

DATE: 03-30-2011	DRAWN: C. H. SHIU	PROJ: W.D. CHEN	EX.NO.
---------------------	----------------------	--------------------	--------

NAME Mini Rocker Switch			
-------------------------	--	--	--

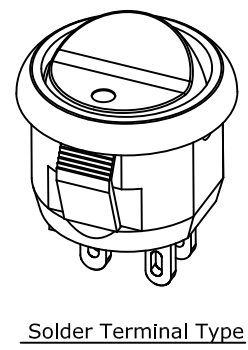
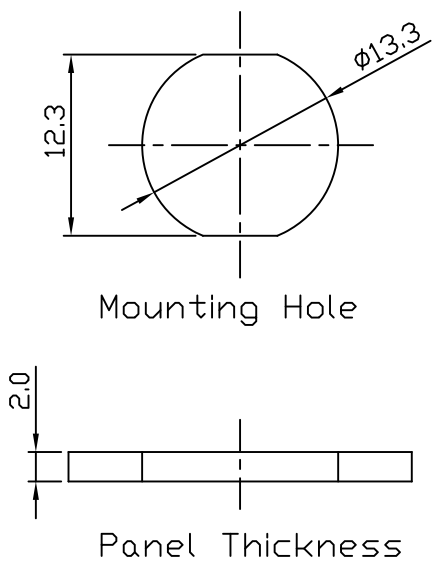
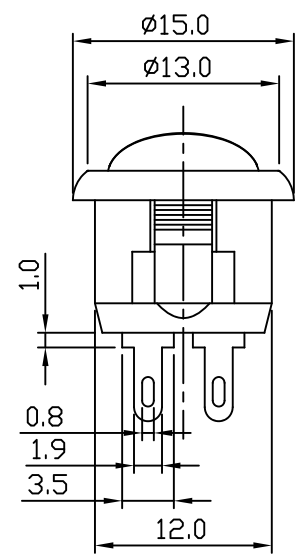
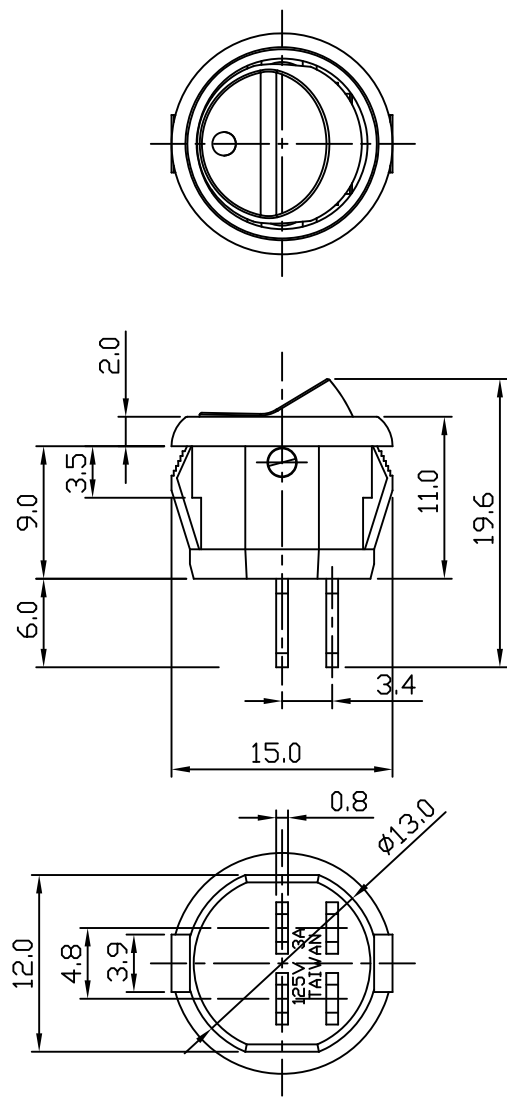
UNIT ■ m/m □ inch	SCALE 2 : 1	PROD. NO SW-2734	REV. W.H. YEH
----------------------	----------------	---------------------	------------------



淮洋有限公司
HUI YANG CO.,LTD.
www.hy1688.com.tw

Material :

Finished :



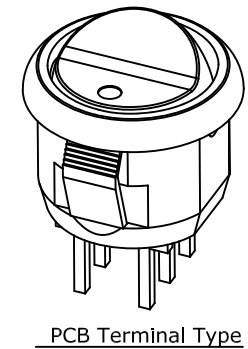
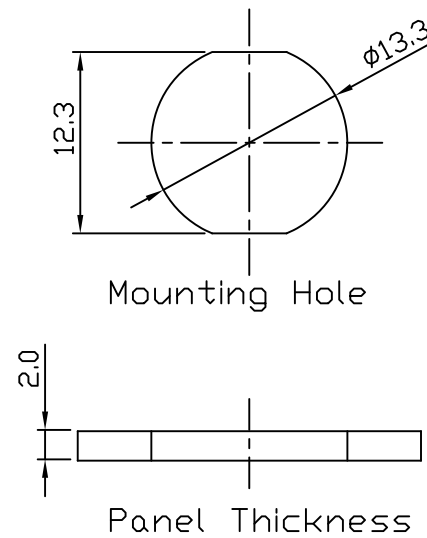
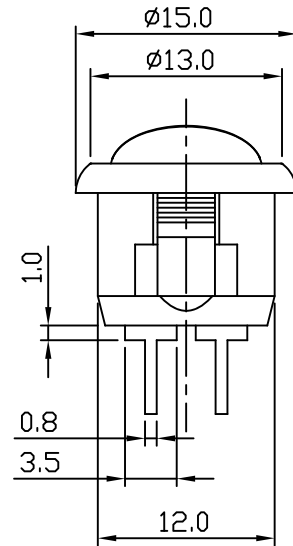
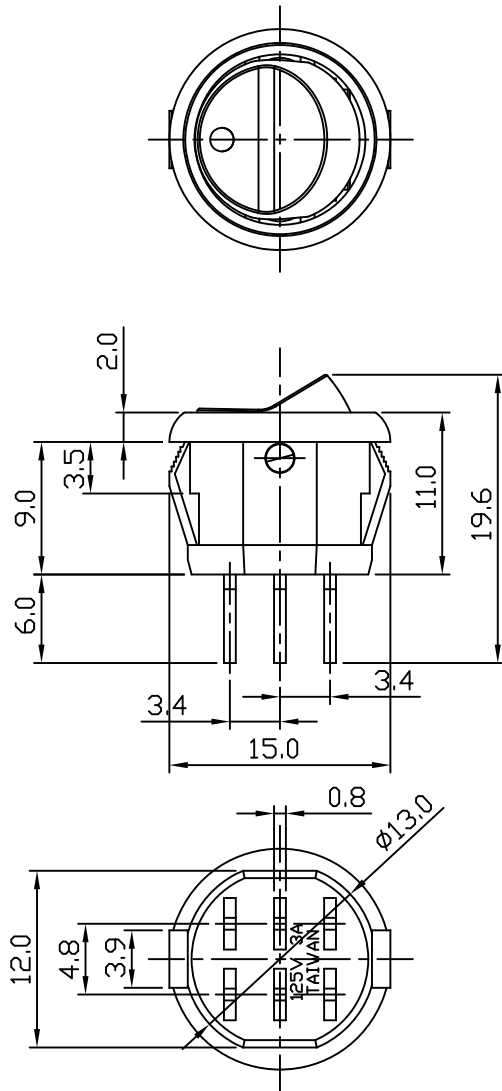
Specification :

Contact resistance: 20mΩ max. (initial)
 Insulation resistance: 50MΩ min. (at 500V DC)
 Dielectric strength: 1,500V AC 50/60 Hz for 1 minute
 Service life: Mechanically: 100,000 operations min.
 Electrically: 30,000 operations min.
 Rating : 3A 125V AC / 1.5A 250V AC
 Function: ON - OFF DPST

<u>TOLERANCES</u> x. ± 0.3 x.x ± 0.2 x.xx ± 0.1		<u>UNLESS NOTED</u> MIN WALL THICKNESS MAX. DRAFT 2 / SIDE ALL RADII	
DATE: 03-30-2011	DRAWN: C. H. SHIU	PROJ: W.D. CHEN	EX.NO.
NAME Mini Rocker Switch		PROD. NO SW-2734A	REV. W.H. YEH
UNIT ■ m/m □ inch	SCALE 2 : 1		


 淮洋有限公司
 HUAI YANG CO.,LTD.
 www.hy1688.com.tw

Material: _____
 Finished: _____



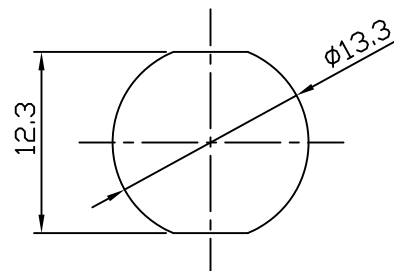
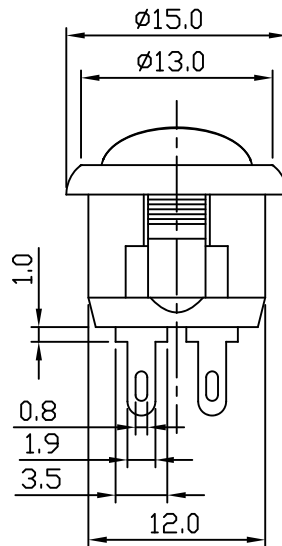
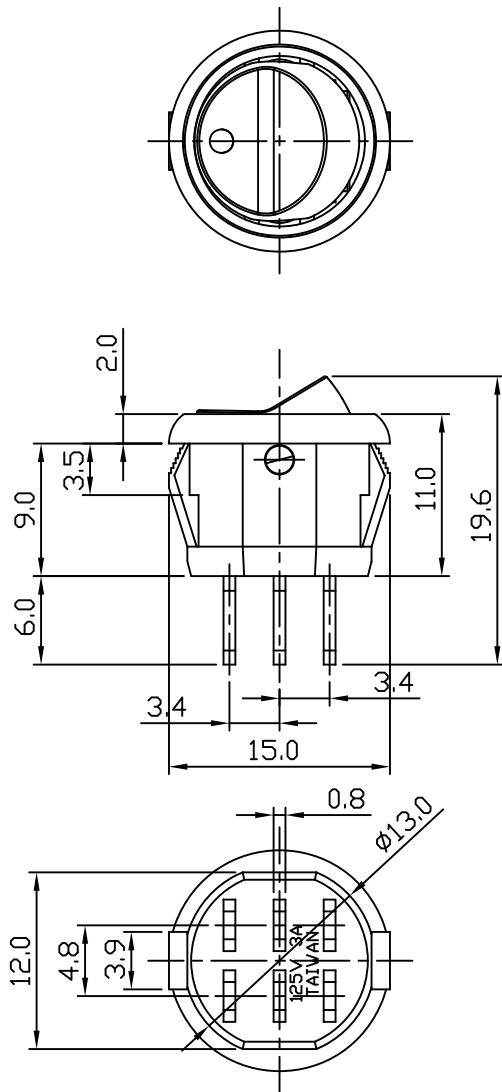
Specification :

Contact resistance: 20mΩ max. (initial)
 Insulation resistance: 50MΩ min. (at 500V DC)
 Dielectric strength: 1,500V AC 50/60 Hz for 1 minute
 Service life: Mechanically: 100,000 operations min.
 Electrically: 30,000 operations min.
 Rating : 3A 125V AC / 1.5A 250V AC
 Function: ON - ON DPDT

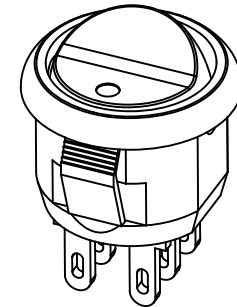
<u>TOLERANCES</u> X. ± 0.3 X.X ± 0.2 X.XX ± 0.1		<u>UNLESS NOTED</u> MIN WALL THICKNESS MAX. DRAFT 2 / SIDE ALL RADII	
DATE: 03-30-2011	DRAWN: C. H. SHIU	PROJ: W.D. CHEN	EX.NO.
NAME Mini Rocker Switch			
UNIT ■ m/m □ inch	SCALE 2 : 1	PROD. NO SW-2736	REV. W.H. YEH


 淮洋有限公司
 HUAI YANG CO.,LTD.
 www.hy1688.com.tw

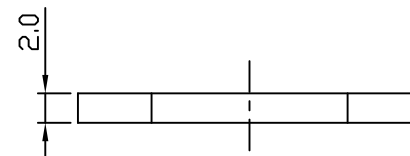
Material: _____
 Finished: _____



Mounting Hole



Solder Terminal Type



Panel Thickness

Specification :

Contact resistance: 20mΩ max. (initial)

Insulation resistance: 50MΩ min. (at 500V DC)

Dielectric strength: 1,500V AC 50/60 Hz for 1 minute

Service life: Mechanically: 100,000 operations min.

Electrically: 30,000 operations min.

Rating : 3A 125V AC / 1.5A 250V AC

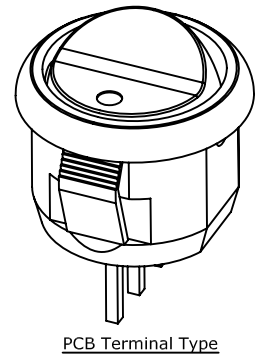
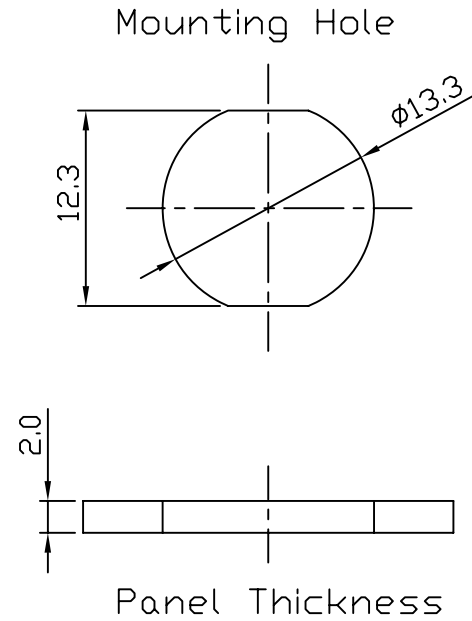
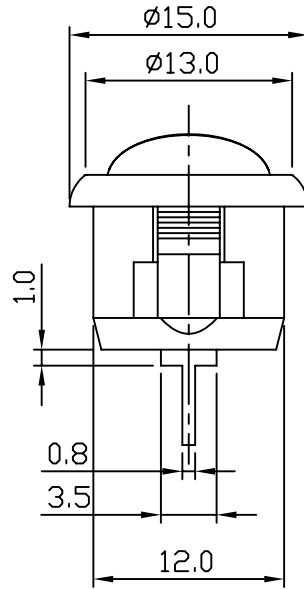
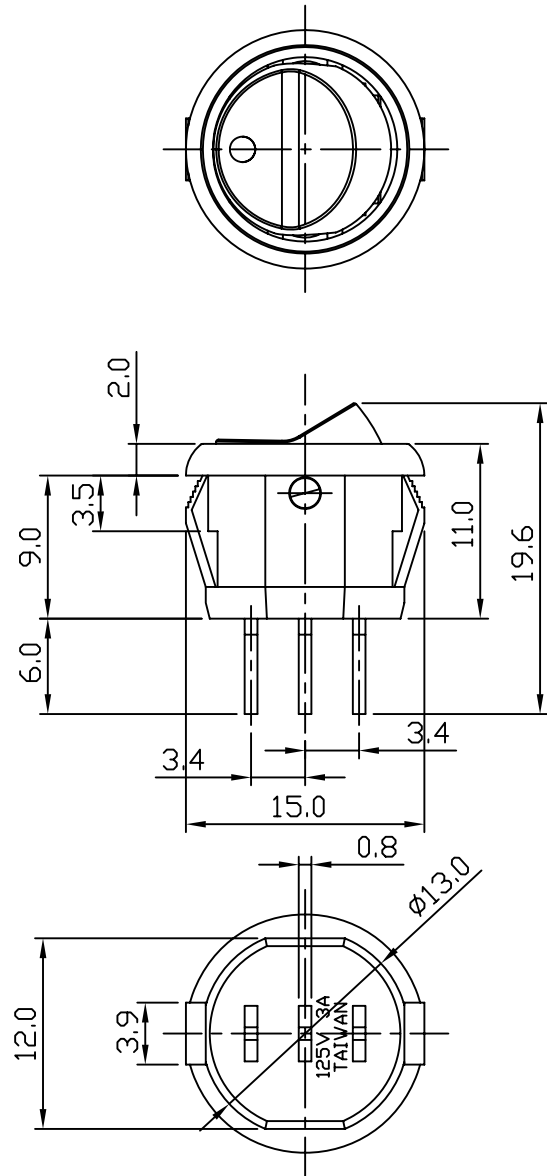
Function: ON - ON DPDT

<p>TOLERANCES</p> <p>x. ± 0.3</p> <p>x.x ± 0.2</p> <p>x.xx ± 0.1</p>		<p>UNLESS NOTED</p> <p>MIN WALL THICKNESS</p> <p>MAX. DRAFT 2 / SIDE</p> <p>ALL RADII</p>	
DATE:	DRAWN:	PROJ:	EX.NO.
03-30-2011	C. H. SHIU	W.D. CHEN	
<p>NAME Mini Rocker Switch</p>			
UNIT	SCALE	PROD. NO	REV.
<input checked="" type="checkbox"/> m/m <input type="checkbox"/> inch	2 : 1	SW-2736A	W.H. YEH


淮洋有限公司
 HUAI YANG CO.,LTD.
 www.hy1688.com.tw

Material : _____

Finished : _____



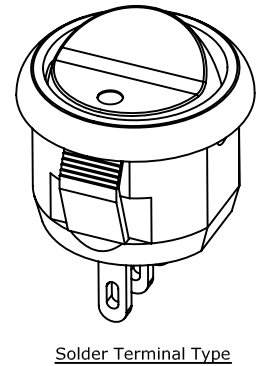
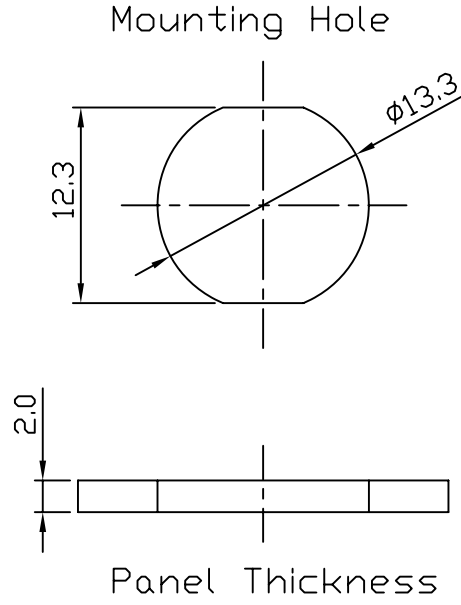
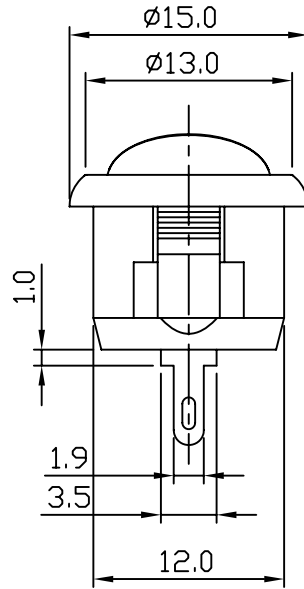
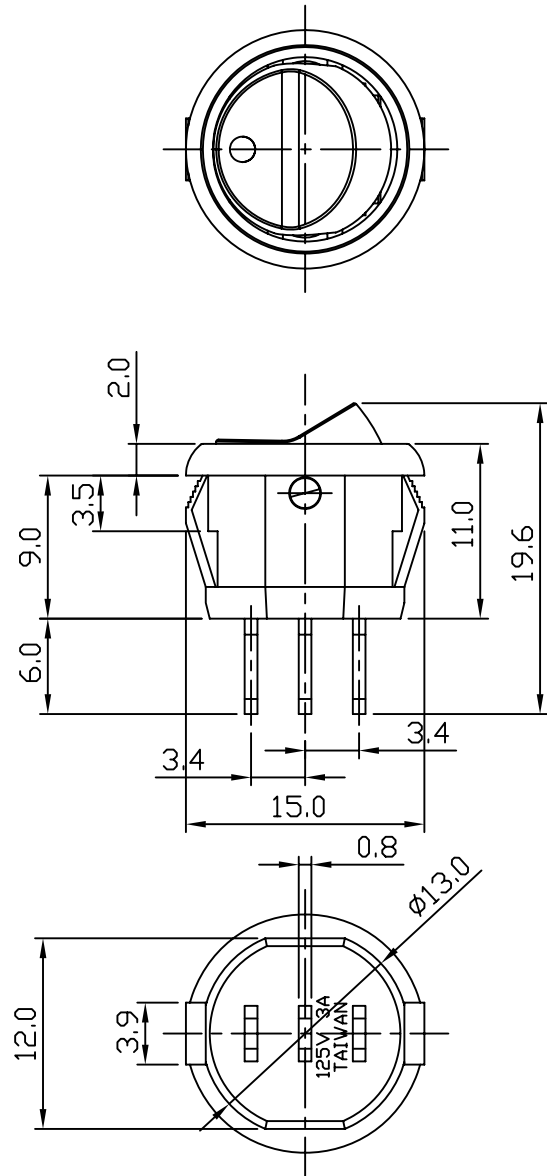
Specification :

Contact resistance: 20m Ω max. (initial)
 Insulation resistance: 50M Ω min. (at 500V DC)
 Dielectric strength: 1,500V AC 50/60 Hz for 1 minute
 Service life: Mechanically: 100,000 operations min.
 Electrically: 30,000 operations min.
 Rating : 3A 125V AC / 1.5A 250V AC
 Function: ON - ON SPDT

<u>TOLERANCES</u> X. \pm 0.3 X.X \pm 0.2 X.XX \pm 0.1		<u>UNLESS NOTED</u> MIN WALL THICKNESS MAX. DRAFT 2 / SIDE ALL RADII	
DATE: 03-30-2011	DRAWN: C. H. SHIU	PROJ: W.D. CHEN	EX.NO.
NAME Mini Rocker Switch		PROD. NO SW-2738	REV. W.H. YEH
UNIT <input checked="" type="checkbox"/> m/m <input type="checkbox"/> inch	SCALE 2 : 1		


 淮洋有限公司
 HUAIYANG CO.,LTD.
 www.hy1688.com.tw

Material: _____
 Finished: _____



Specification :

Contact resistance: 20mΩ max. (initial)
 Insulation resistance: 50MΩ min. (at 500V DC)
 Dielectric strength: 1,500V AC 50/60 Hz for 1 minute
 Service life: Mechanically: 100,000 operations min.
 Electrically: 30,000 operations min.
 Rating : 3A 125V AC / 1.5A 250V AC
 Function: ON - ON SPDT

<u>TOLERANCES</u> X. ± 0.3 X.X ± 0.2 X.XX ± 0.1		<u>UNLESS NOTED</u> MIN WALL THICKNESS MAX. DRAFT 2 / SIDE ALL RADII	
DATE: 03-30-2011	DRAWN: C. H. SHIU	PROJ: W.D. CHEN	EX.NO.
NAME Mini Rocker Switch		UNIT <input checked="" type="checkbox"/> m/m <input type="checkbox"/> inch	SCALE 2 : 1
PROD. NO SW-2738A		REV. W.H. YEH	


 淮洋有限公司
 HUAIYANG CO.,LTD.
 www.hy1688.com.tw

Material: _____
 Finished: _____