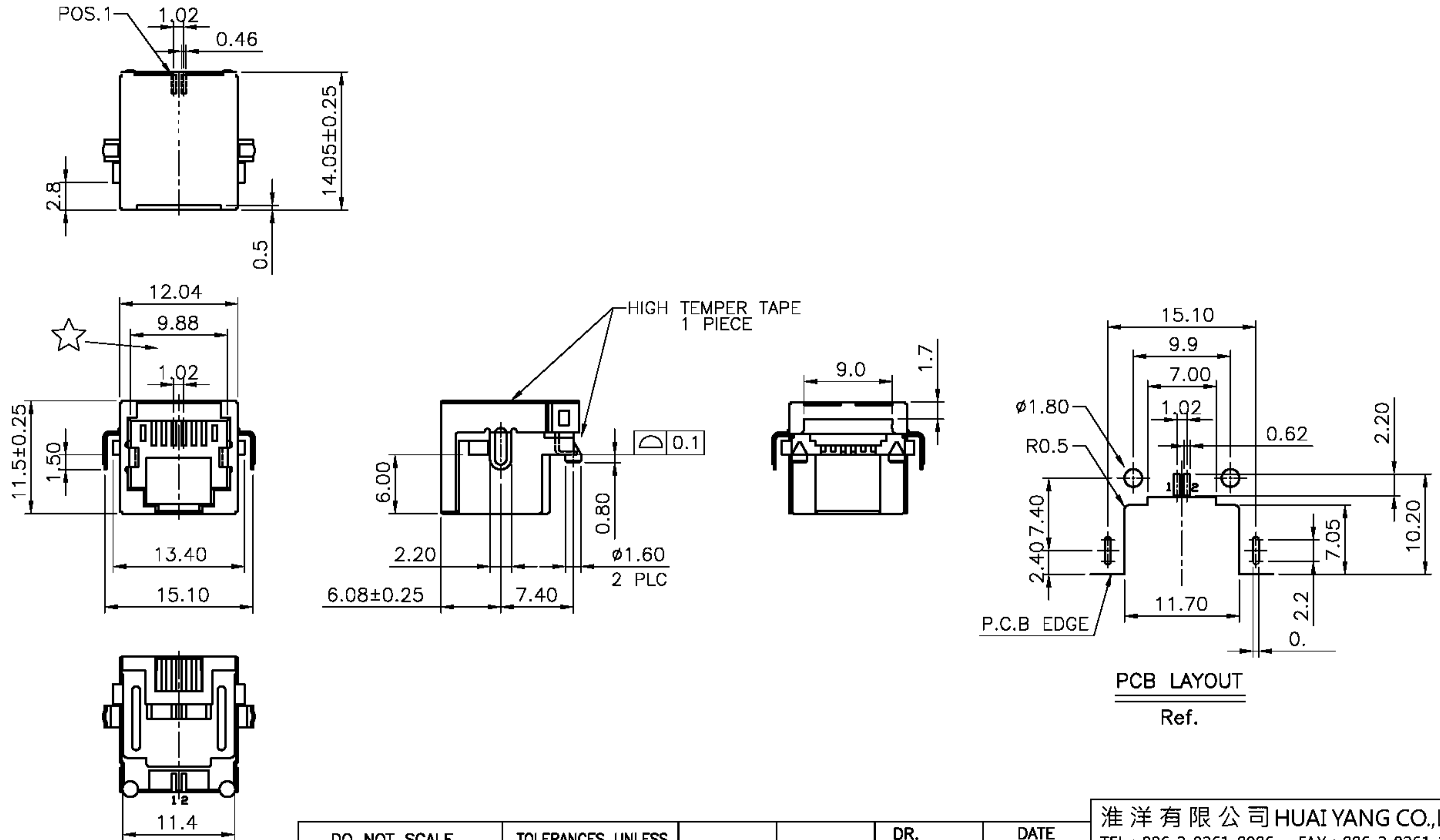


RoHS Compliance



DO NOT SCALE DRAWING		TOLERANCES UNLESS OTHERWISE NOTED		INCH	MM	DR. <i>M.L.HUANG</i>	DATE JUN-12 '08	淮洋有限公司 HUI YANG CO.,LTD. TEL : 886-2-8261-8986 FAX : 886-2-8261-1885 www.hy1688.com.tw 236新北市土城區中央路二段191號10樓之5			
THIRD ANGLE PROJECTION		LINEAR	MM INCH	00 ± .01 000 ± .005 0000 ± .002	0.0 ± 0.25 0.00 ± 0.13 0.000 ± 0.05	CK'D <i>M.CHANG</i>	JUN-12 '08	TITLE MODULAR JACK RJ11 SMT CONNECTOR			
MM INCH	ANGLE ± 0° 30'	RADII		± 0.40 - 0.15	APP'D <i>W.J.YANG</i>	JUN-12 '08	SCALE	SIZE	DWG.NO. 984603	REV. 1	SHEET 1