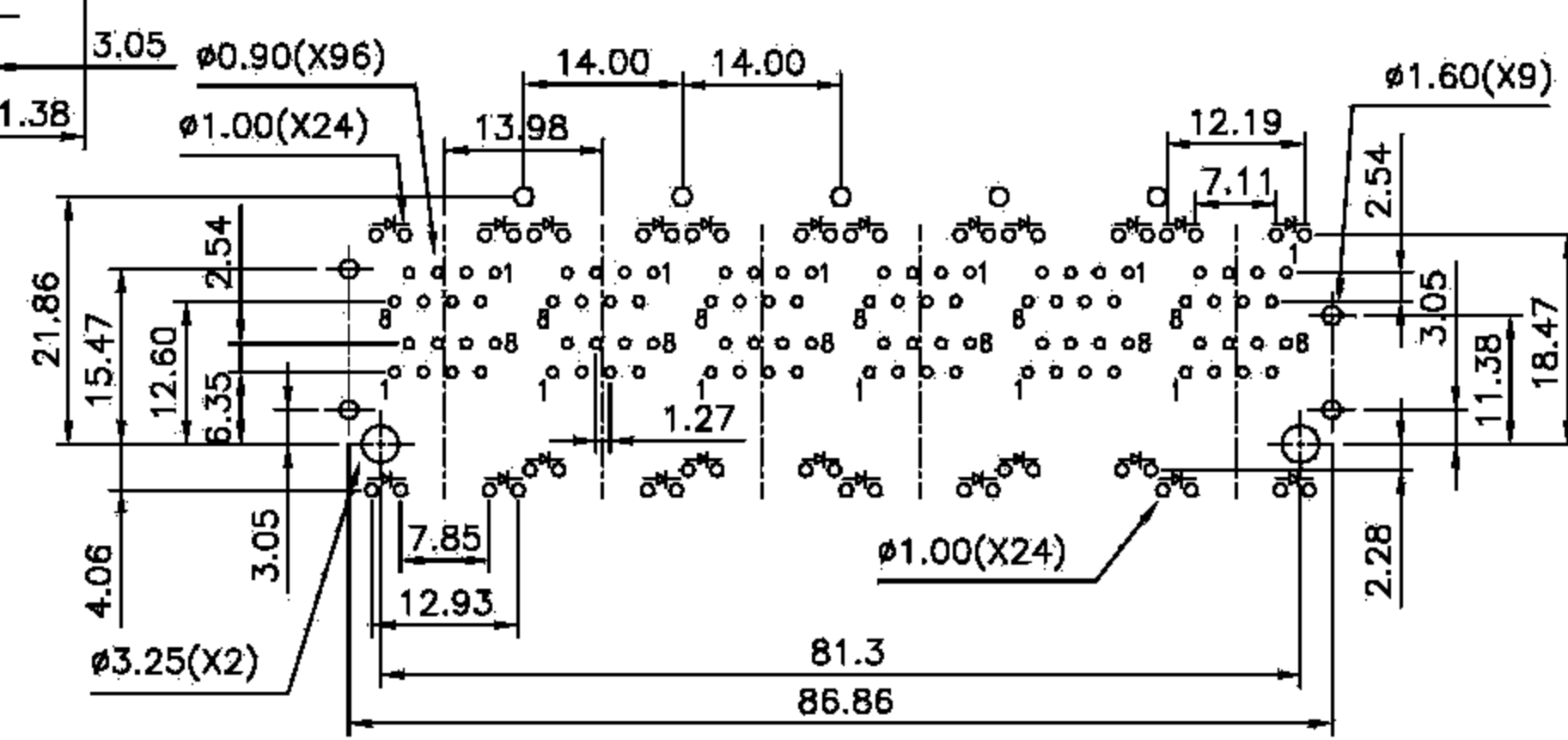


DETAIL X



PCB LAYOUT
Ref.

(9/11 '07)

DO NOT SCALE DRAWING	TOLERANCES UNLESS OTHERWISE NOTED	INCH	MM	DR. <i>M.L.HUANG</i>	DATE SEP-17 '07
THIRD ANGLE PROJECTION	LINEAR MM INCH	00± 000± 0000±	0.0±0.25 0.00±0.20 0.000±0.10	CK'D <i>M.CHANG</i>	SEP-17 '07
MM INCH	ANGLE ±0° 30'	RADII	+0.40 -0.15	APP'D <i>W.J.YANG</i>	SEP-17 '07

淮洋有限公司 HUIYANG CO., LTD. TEL : 886-2-8261-8986 FAX : 886-2-8261-1885 www.hy1688.com.tw 236新北市土城區中央路二段191號10樓之5					
TITLE 2X6PORT, RJ45, STACKABLE JACK WITH LED'S, SHIELDED					
SCALE	SIZE	DWG.NO.	REV.	SHEET	
		983901	8	1	