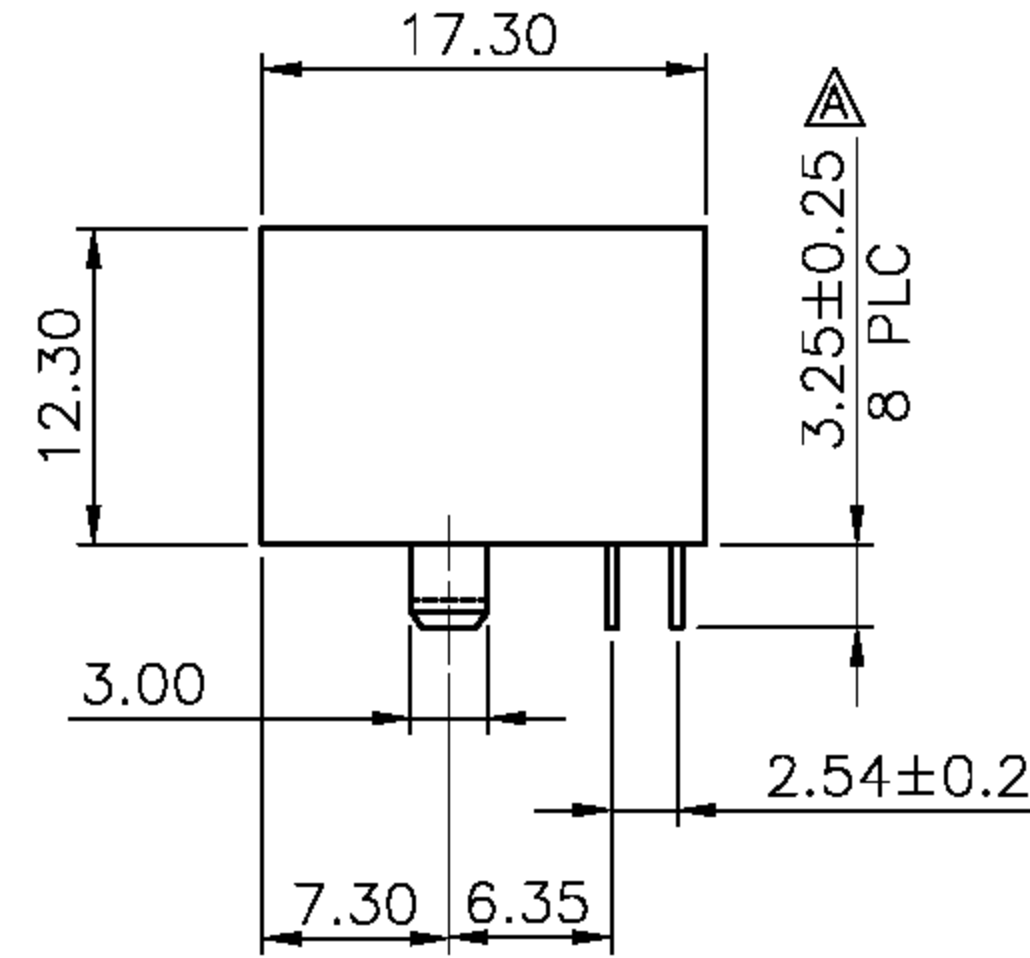
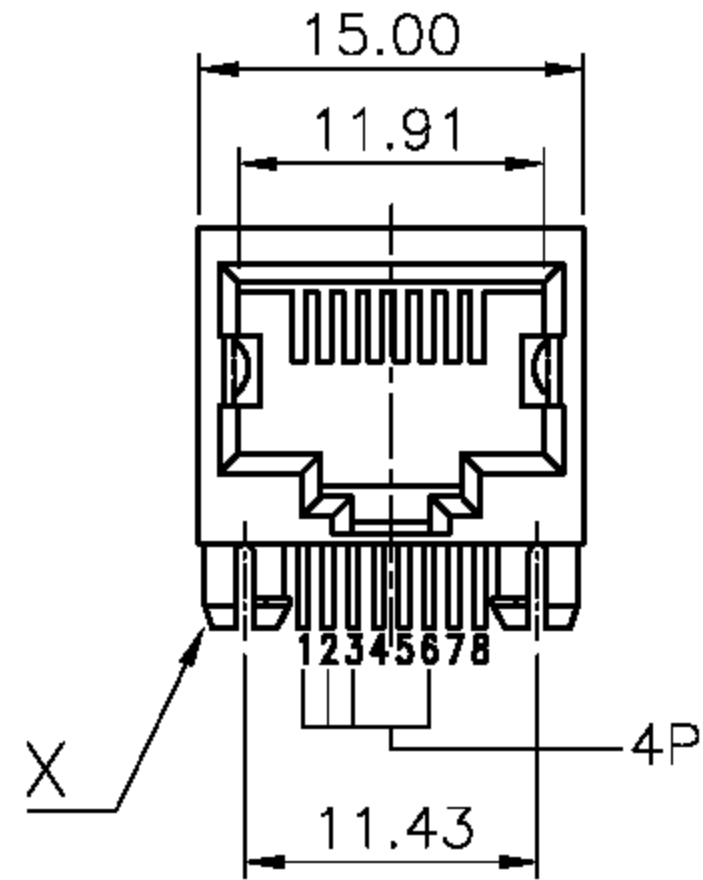
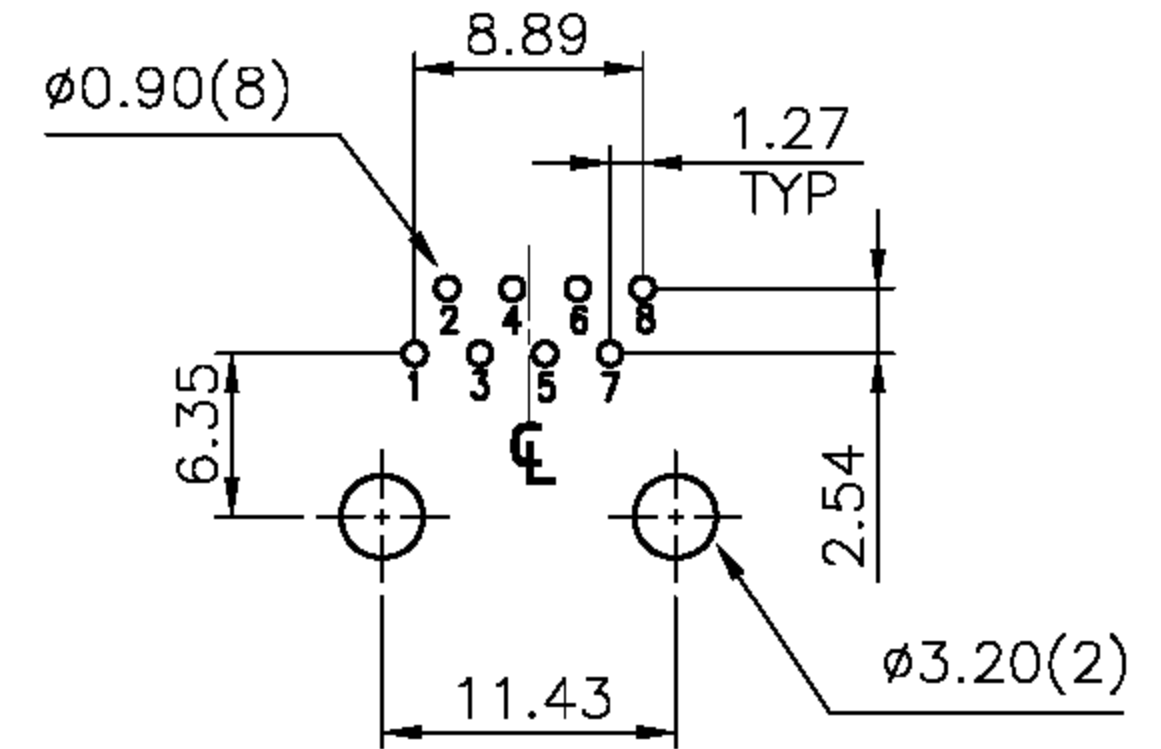
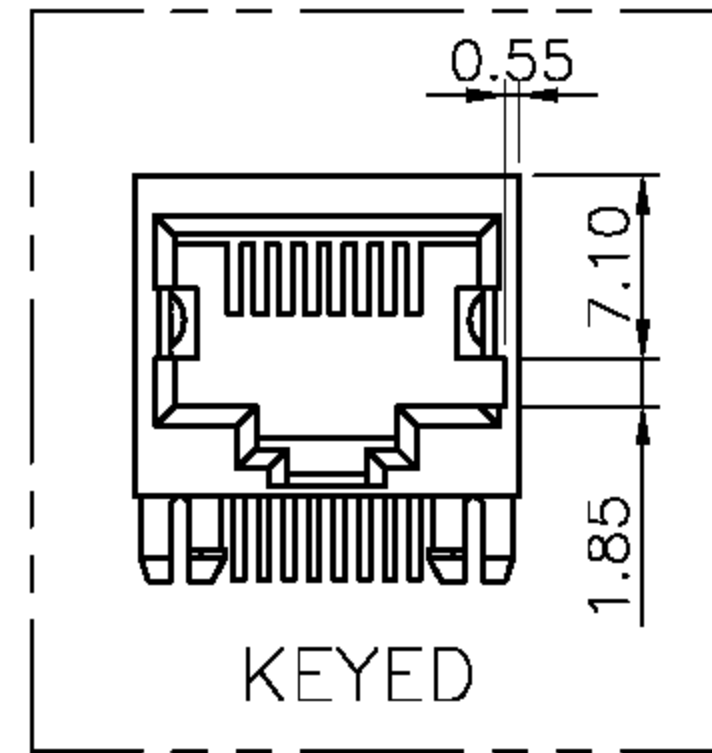
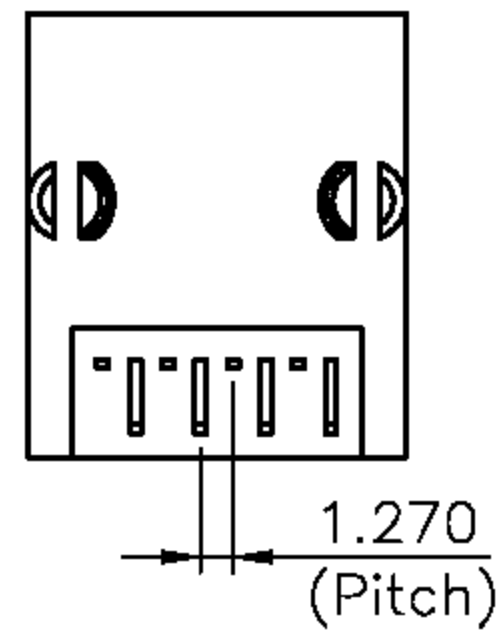
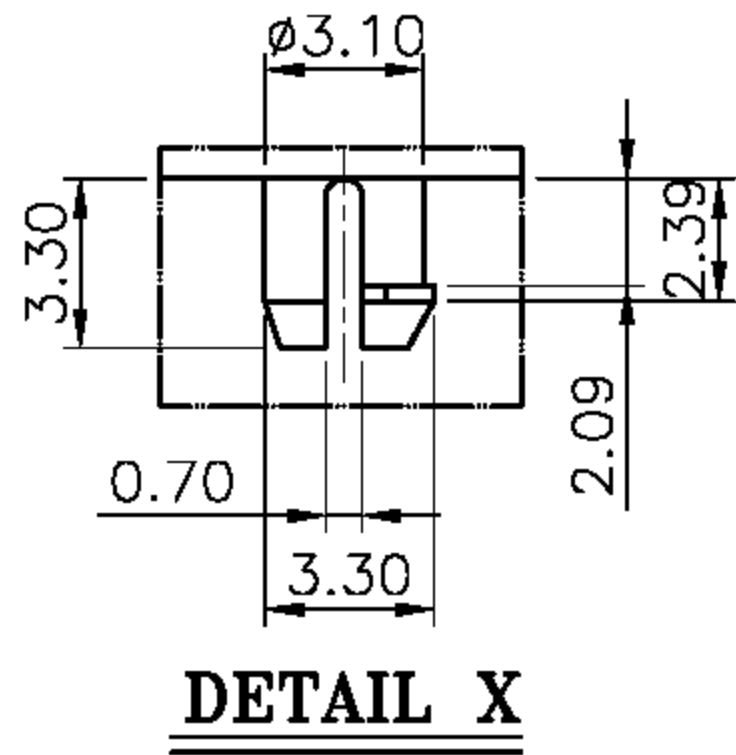


# RoHS Compliance



REVISIONS			
LTR	DESCRIPTION	DATE	APP
△	3.45±0.25	03/18/'08	CHANG



DO NOT SCALE DRAWING	TOLERANCES UNLESS OTHERWISE NOTED	INCH	MM	DR. <i>M.L.HUANG</i>	DATE MAR-17 '08
THIRD ANGLE PROJECTION	LINEAR	$\frac{\text{MM}}{\text{INCH}}$	00 ± 000 ± 0000 ±	CK'D <i>M.CHANG</i>	MAR-17 '08
MM INCH	ANGLE ±0° 30'	RADII	±0.40 -0.15	APP'D <i>W.J.YANG</i>	MAR-18 '08

淮洋有限公司 HUIYANG CO., LTD.  
TEL : 886-2-8261-8986 FAX : 886-2-8261-1885  
www.hy1688.com.tw 236 新北市土城區中央路二段191號10樓之5

TITLE		RJ45, SHIELDLESS, LOW PROFILE, SIDE ENTRY PCB JACK	
SCALE	SIZE	DWG.NO.	REV. SHEET
		983701	3 1