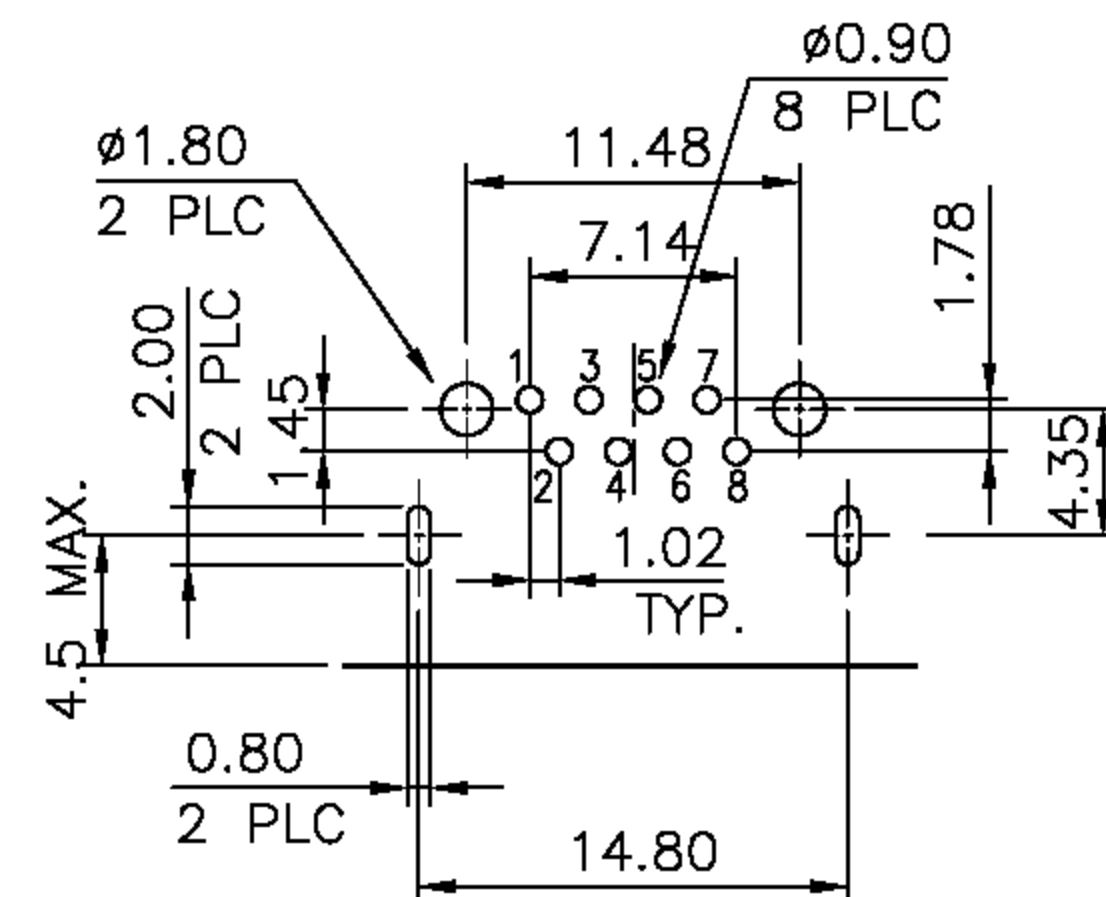
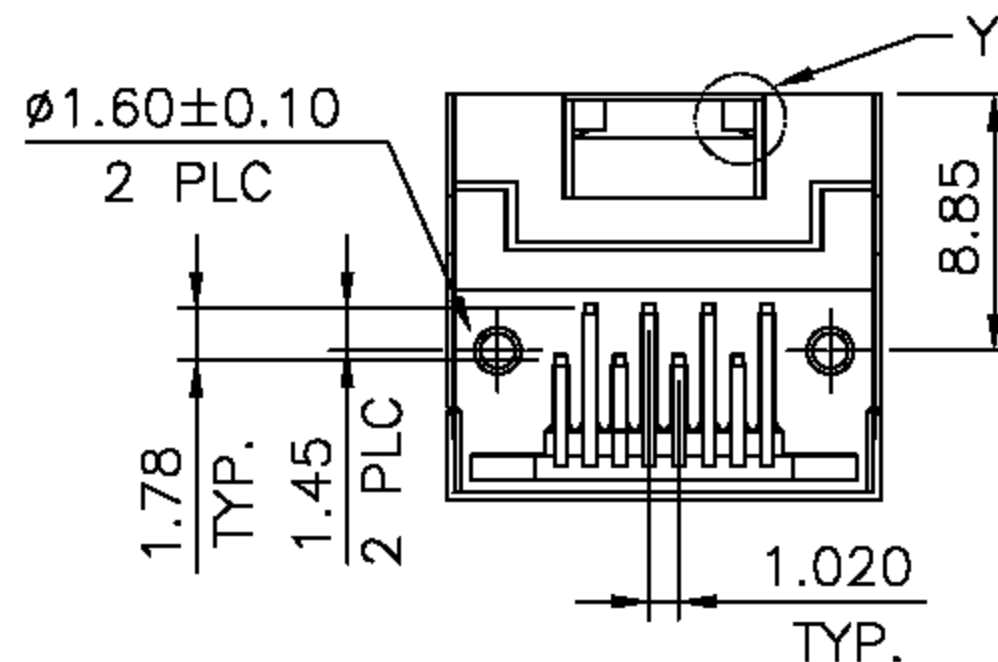
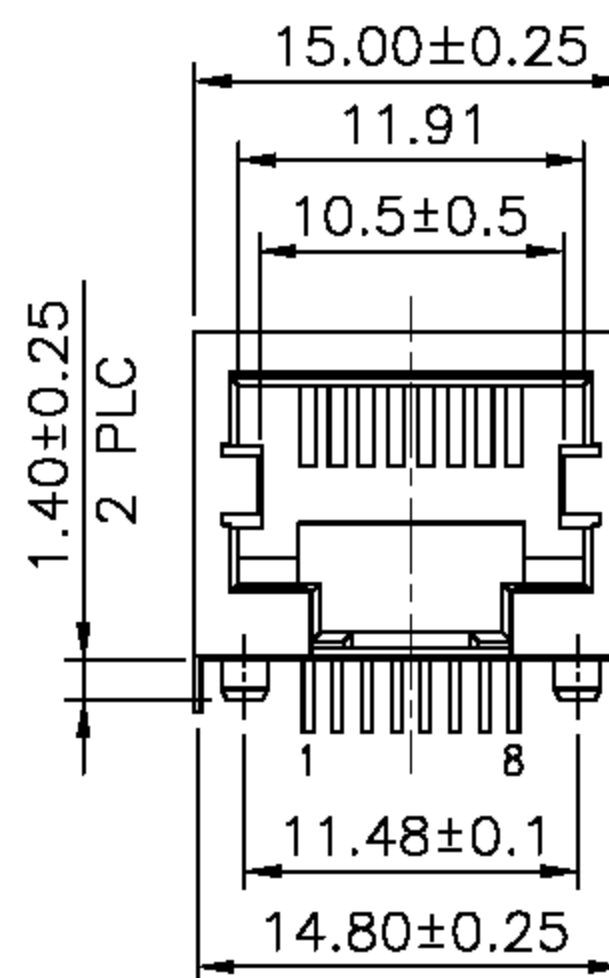
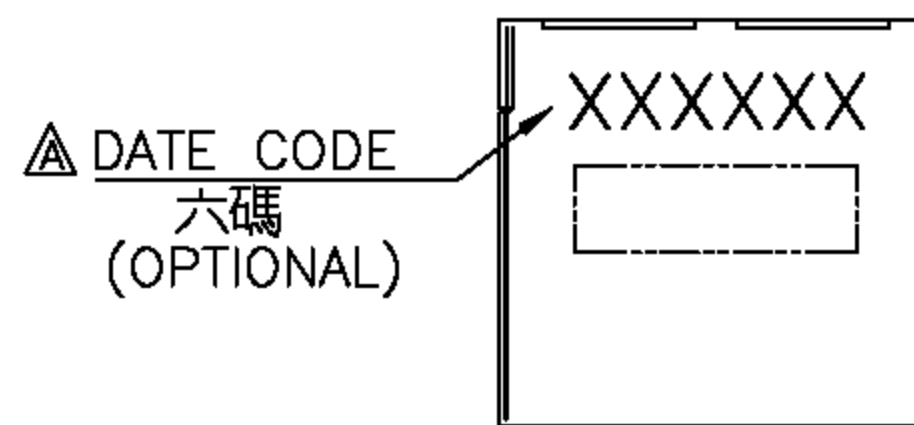
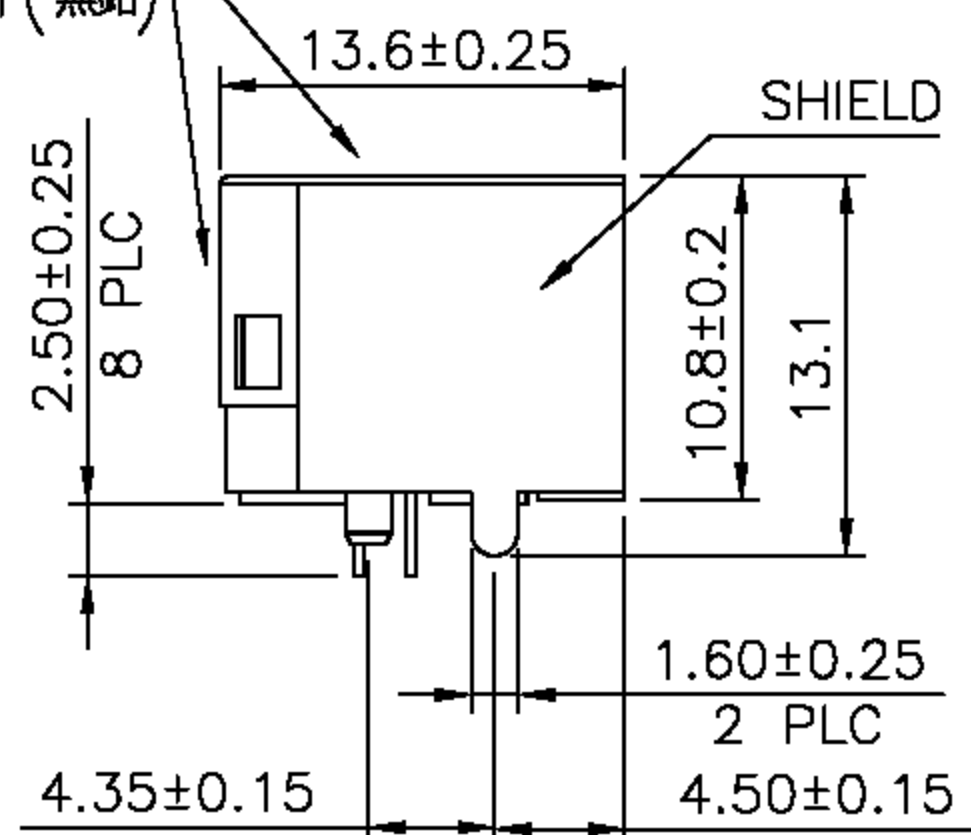
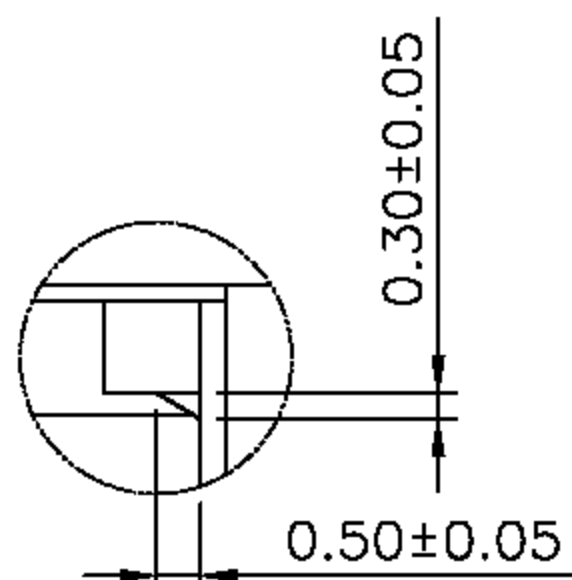


# RoHS Compliance

鐵殼與塑膠體  
之間必須貼膠帶  
料號 361-261 (無鉛)



PCB LAYOUT  
Ref.



DETAIL Y

REVISIONS			
LTR	DESCRIPTION	DATE	APP
△	CAR ADD	01/22/'09	CHANG
△	FAI ADD	05/13/'09	CHANG

DO NOT SCALE DRAWING	TOLERANCES UNLESS OTHERWISE NOTED	INCH	MM	DR. <i>CIAN.CI.LUO</i>	DATE MAY-13 '09
THIRD ANGLE PROJECTION	LINEAR MM INCH	00 ± 000 ± 0000 ±	0.0 ± 0.25 0.00 ± 0.13 0.000 ± 0.05	CK'D <i>M.CHANG</i>	MAY-13 '09
MM INCH	ANGLE ± 0° 30'	RADII	+ 0.40 - 0.15	APP'D <i>W.J.YANG</i>	MAY-14 '09

淮洋有限公司 HUIYANG CO., LTD. TEL : 886-2-8261-8986 FAX : 886-2-8261-1885 www.hy1688.com.tw 236 新北市土城區中央路二段191號10樓之5					
TITLE RJ45 RECEPTACLE CONNECTOR					
SCALE	SIZE	DWG.NO.	REV.	SHEET	
		982901	4	1	