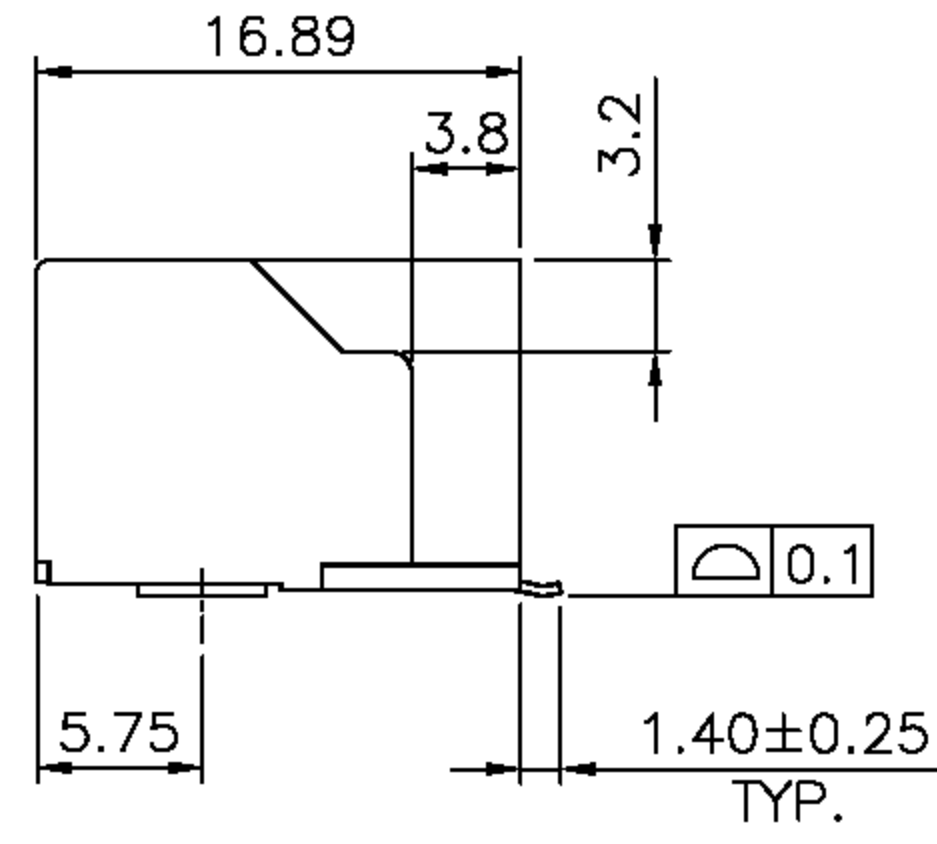
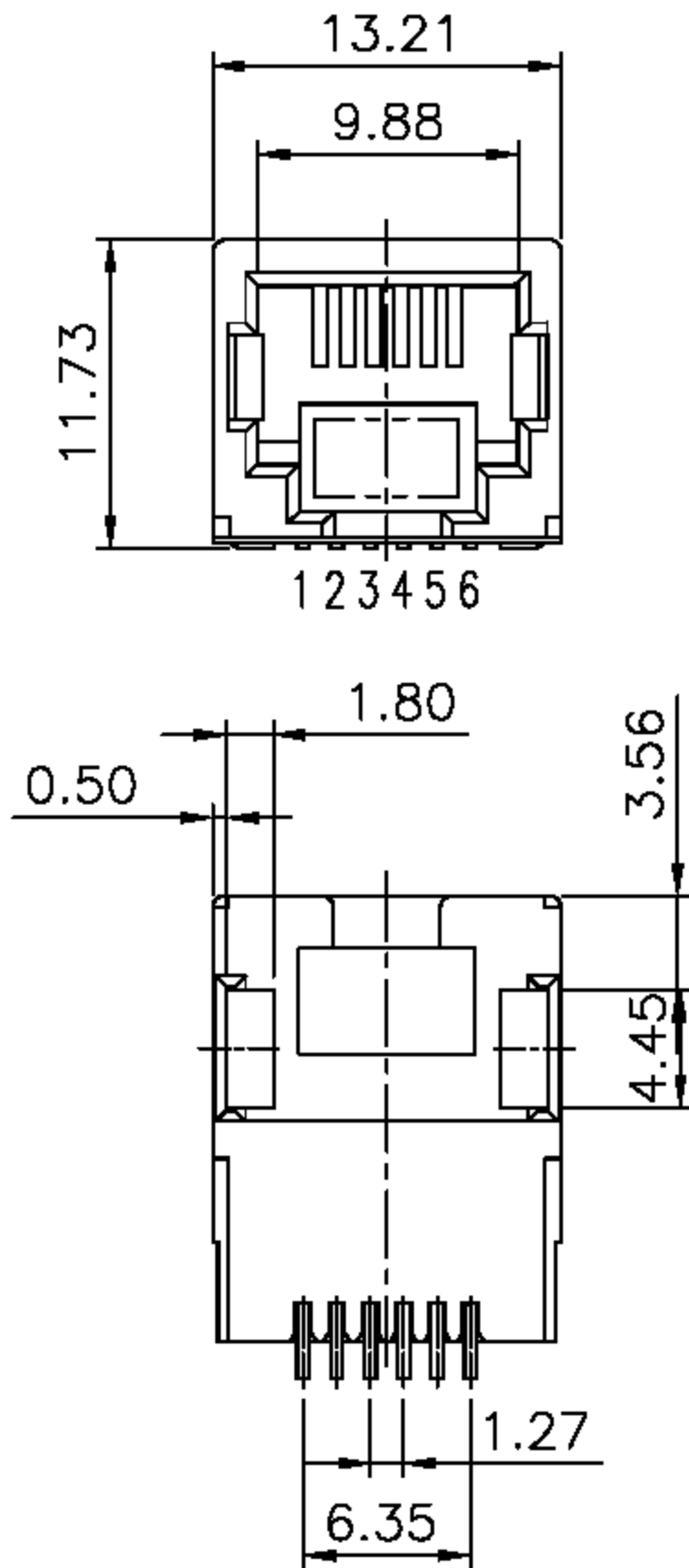
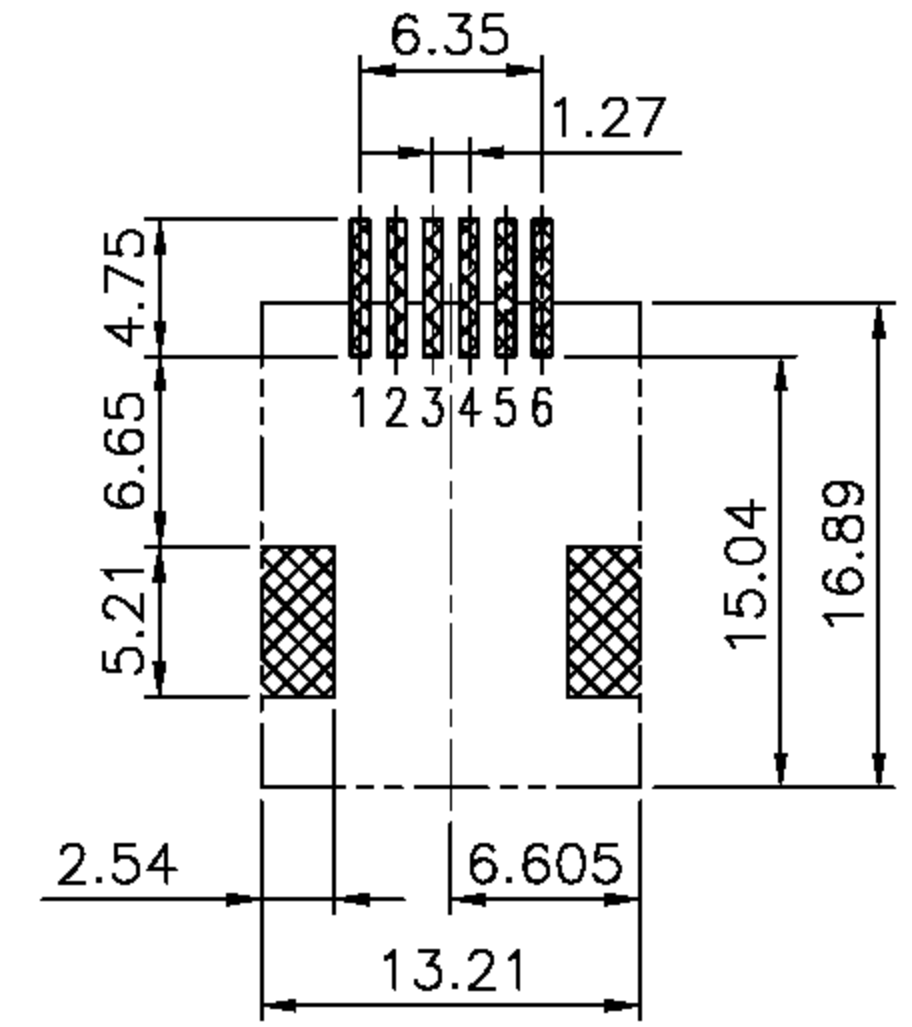


RoHS Compliance



COPLANARITY SPECIFICATION:  
 WITH THE MODULAR JACK SITTING  
 ON A LEVEL SURFACE.  
 THE MAXIMUM GAP BETWEEN  
 THE LEVEL SURFACE AND ALL  
 TERMINAL TAILS AND BOTH FITTING  
 NAILS IS 0.10m/m



PCB LAYOUT  
 Ref.

淮洋有限公司 HUI YANG CO., LTD.  
 TEL : 886-2-8261-8986 FAX : 886-2-8261-1885  
 www.hy1688.com.tw 236新北市土城區中央路二段191號10樓之5

DO NOT SCALE DRAWING	TOLERANCES UNLESS OTHERWISE NOTED	INCH	MM	DR. <i>CIAN.CI.LUO</i>	DATE DEC-29 '08
THIRD ANGLE PROJECTION	LINEAR $\frac{\text{MM}}{\text{INCH}}$	00 ± .01 000 ± .005 0000 ± .002	0.0 ± 0.25 0.00 ± 0.13 0.000 ± 0.05	CK'D <i>M.CHANG</i>	DEC-29 '08
MM INCH	ANGLE ± 0° 30'	RADII	+ 0.40 - 0.15	APP'D <i>W.J.YANG</i>	DEC-30 '08

TITLE RJ11, SMT TYPE, SHIELDLESS SIDE ENTRY PCB JACK	
SCALE SIZE DWG.NO. 982501	REV. SHEET 7 1