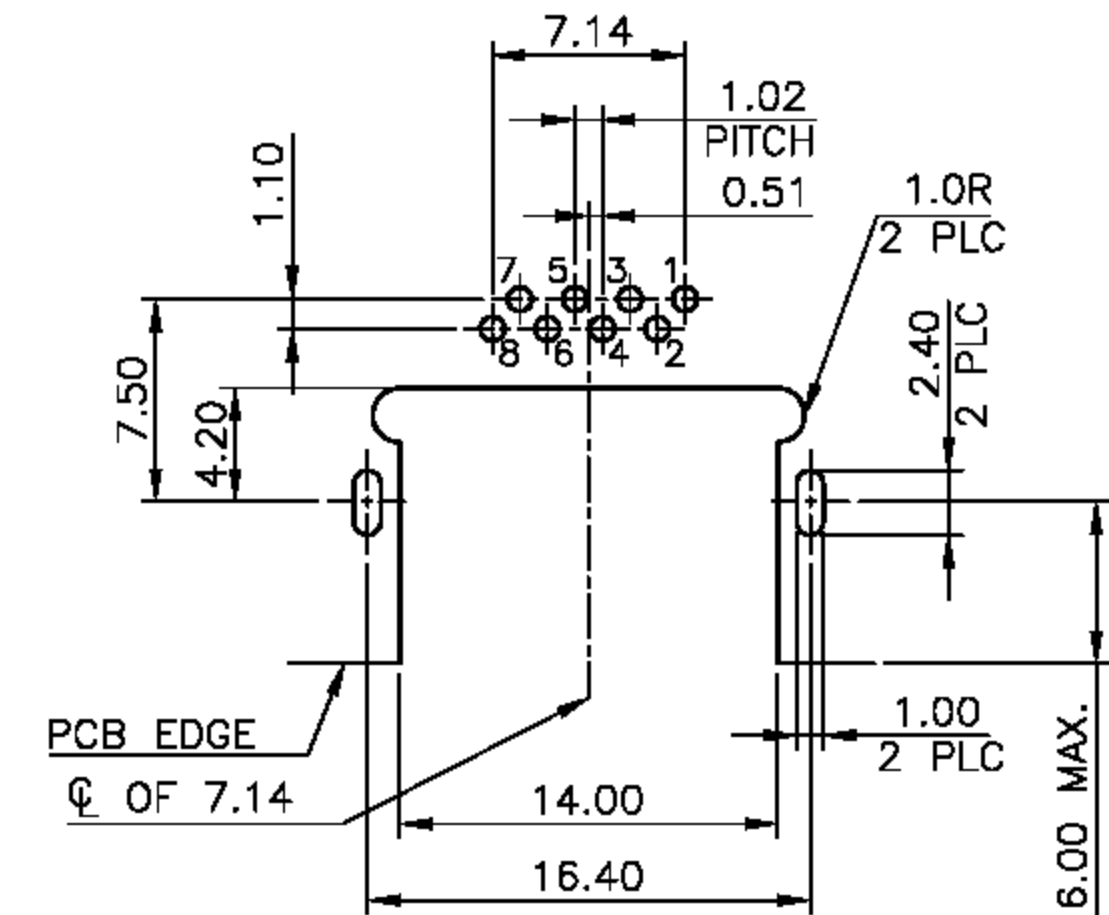
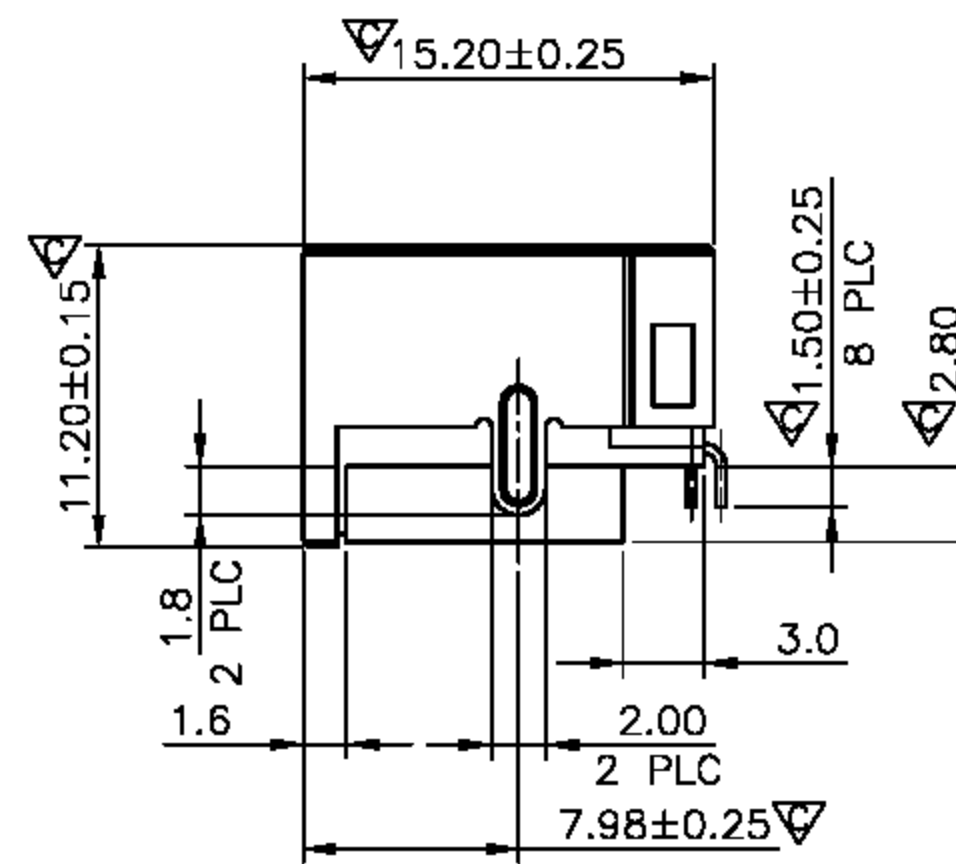
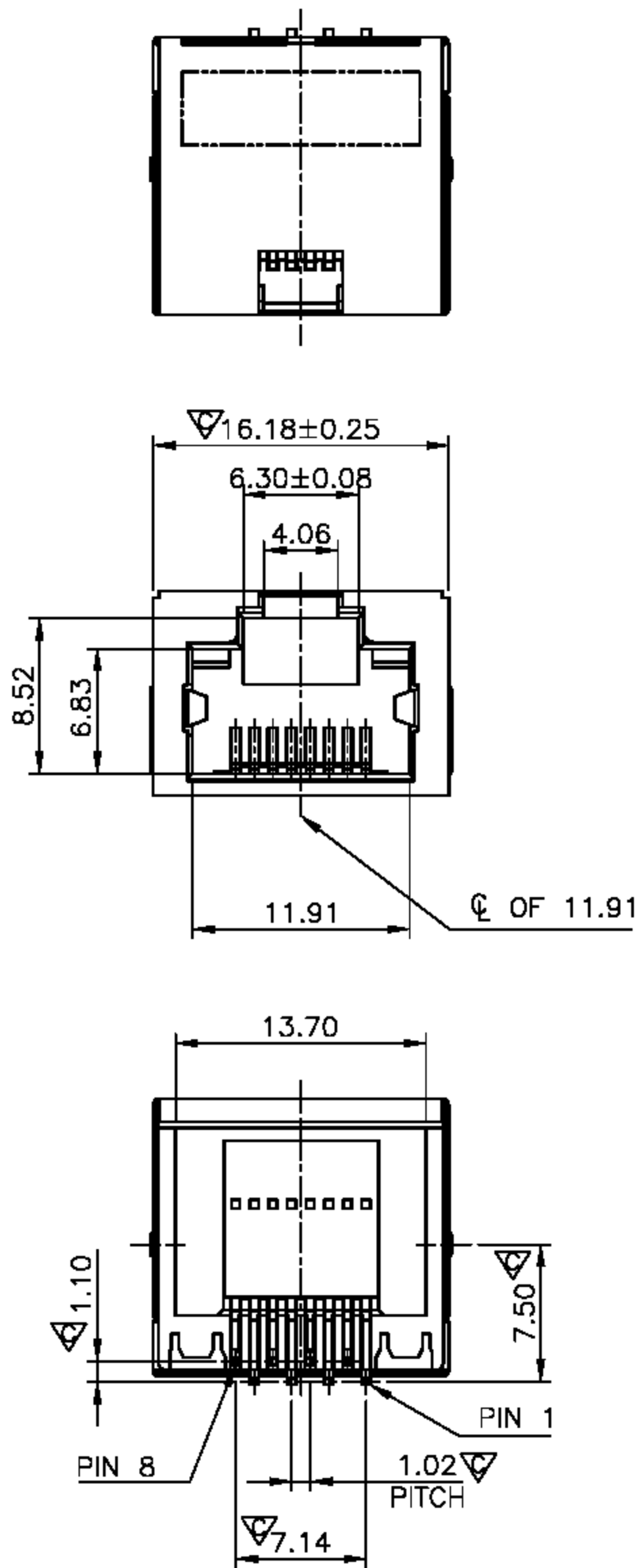


# RoHS Compliance



**RECOMMENDED PCB LAYOUT**  
**RECOMMENDED PCB THICKNESS: 1.2mm**  
**TOLERANCE: ±0.05 (TOP VIEW)**

THIS DRAWING IS A CONTROLLED DOCUMENT. DO NOT SCALE DRAWING.	
DIMENSIONS: MM	TOLERANCES UNLESS OTHERWISE SPECIFIED:
	0 PLC ± - 1 PLC ± 0.25 2 PLC ± 0.13 3 PLC ± 0.05 ANGLES ± -
THIRD ANGLE PROJECTION	
MATERIAL SEE NOTES	FINISH SEE NOTES
DWN <i>A.HUANG</i>	DATE JAN-17-2010
CHK <i>M.CHANG</i>	DATE JAN-17-2010
APVD <i>W.J.YANG</i>	DATE JAN-18-2010

淮洋有限公司 HUIYANG CO.,LTD.  
 TEL : 886-2-8261-8986 FAX : 886-2-8261-1885  
 www.hy1688.com.tw 236新北市土城區中央路二段191號10樓之5

TITLE MODULAR JACK CONNECTOR,  
 RJ45, SIDE ENTRY,  
 WITH SHELL, DIP TYPE

LTR	DESCRIPTION	DATE	APVD
REVISIONS			

SIZE A3	CAUGE CODE -	DRAWING NO 982212
WEIGHT -	GRAMS Ref.	REV 1 SHEET 1