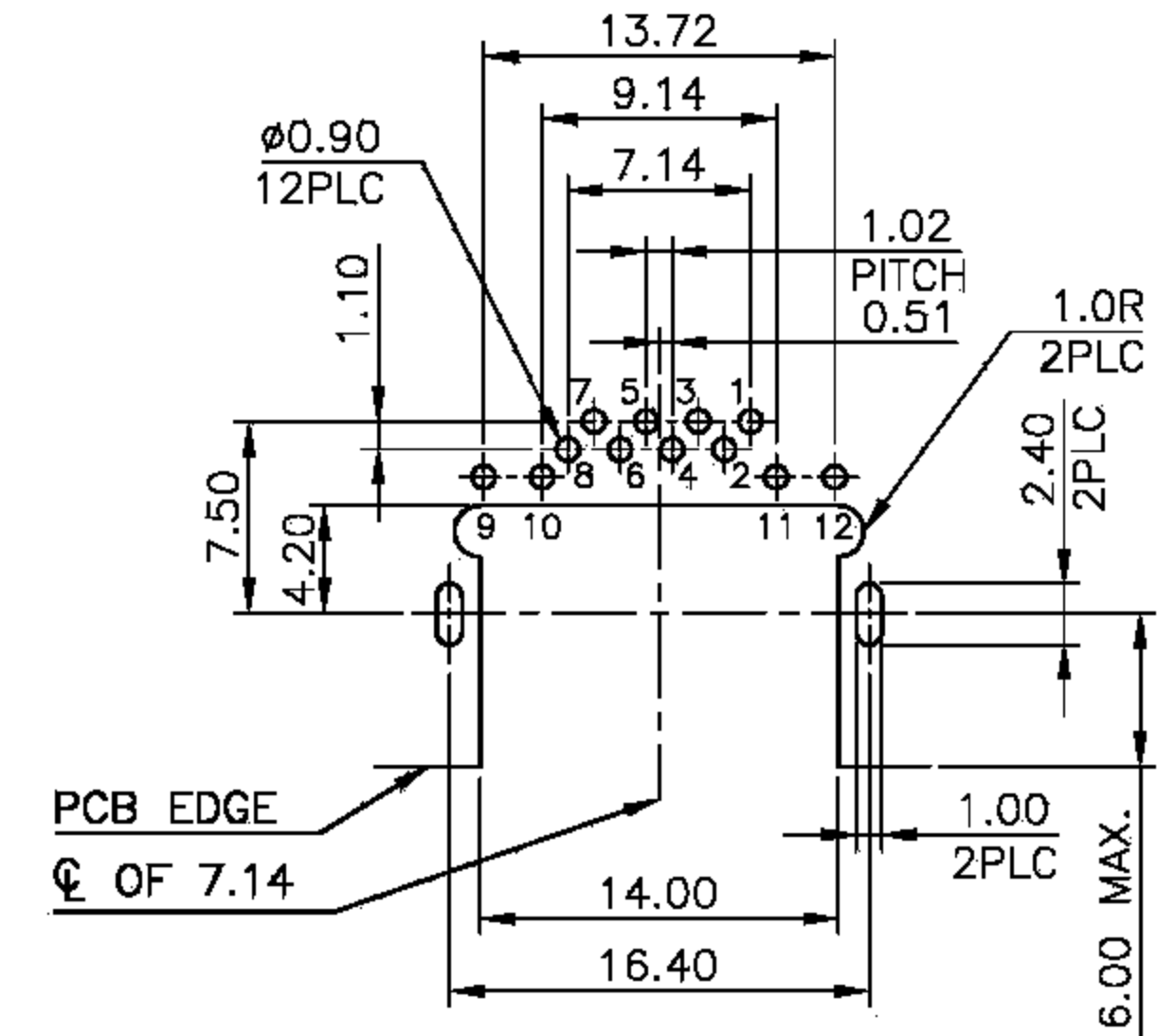
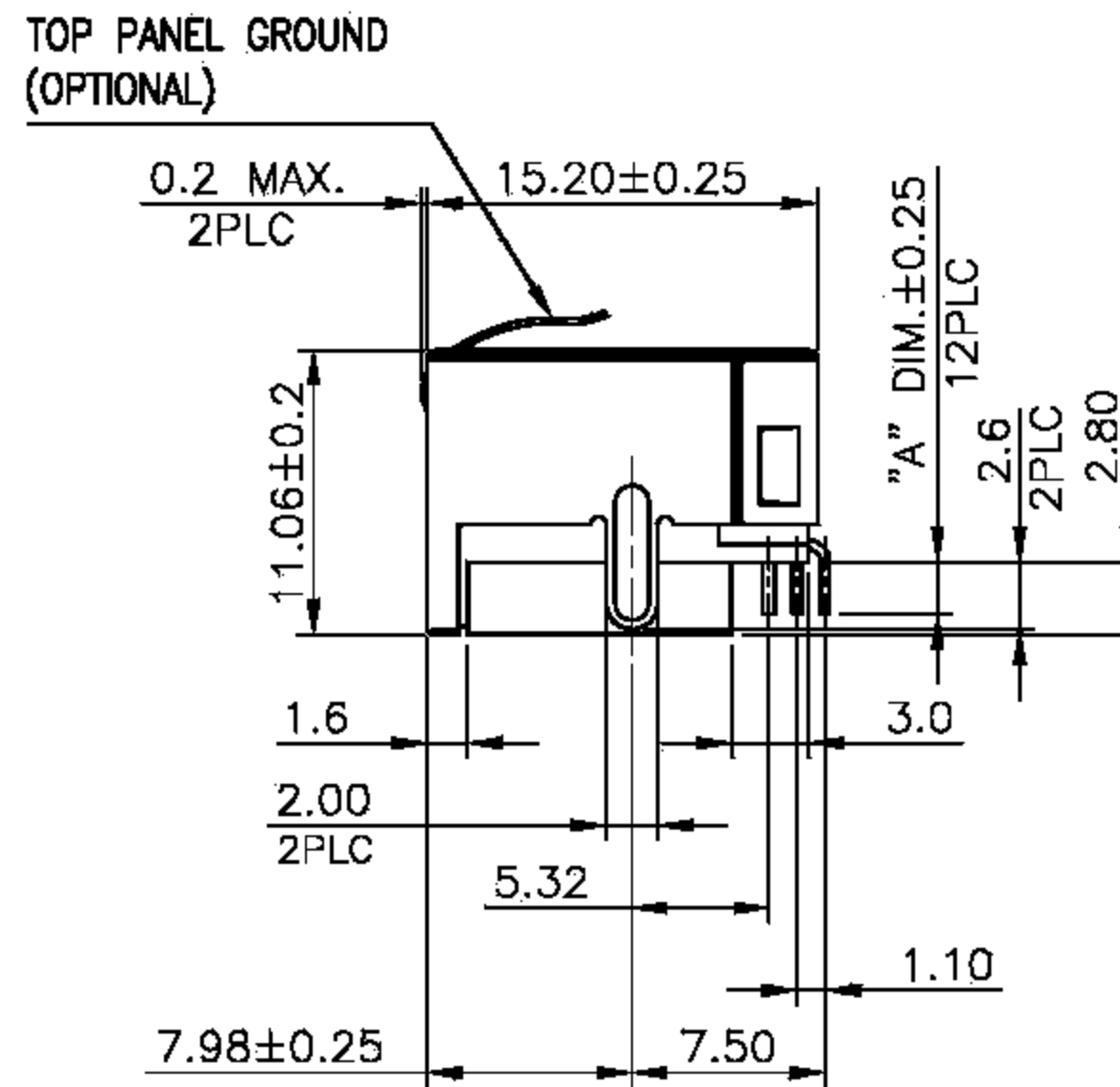
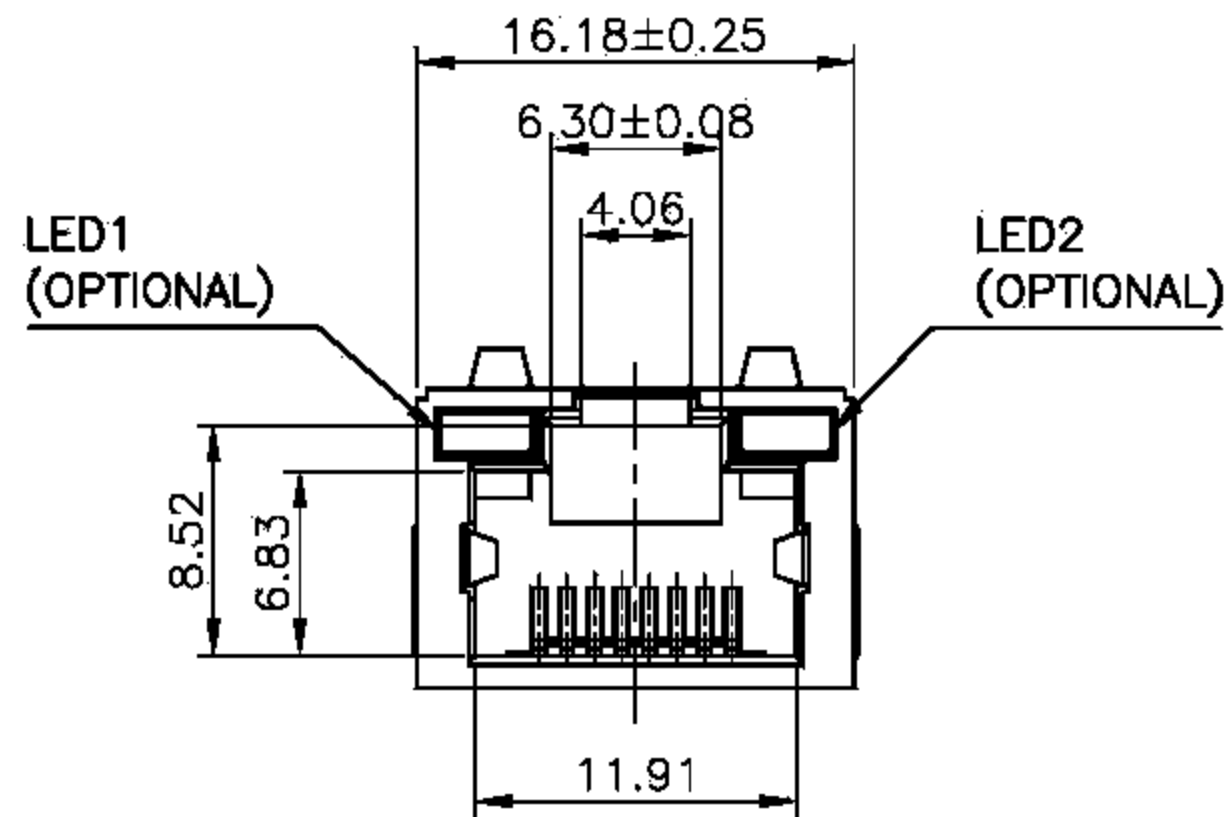
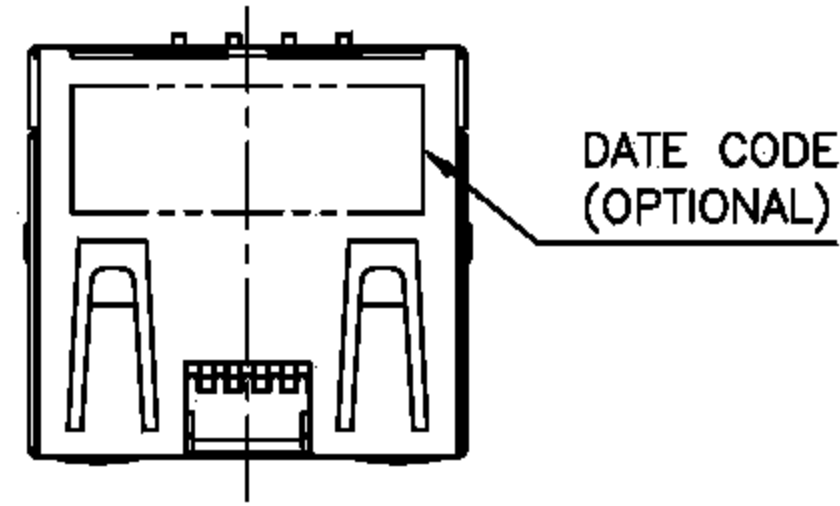


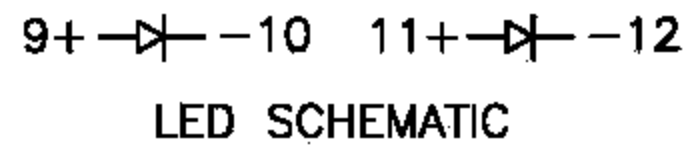
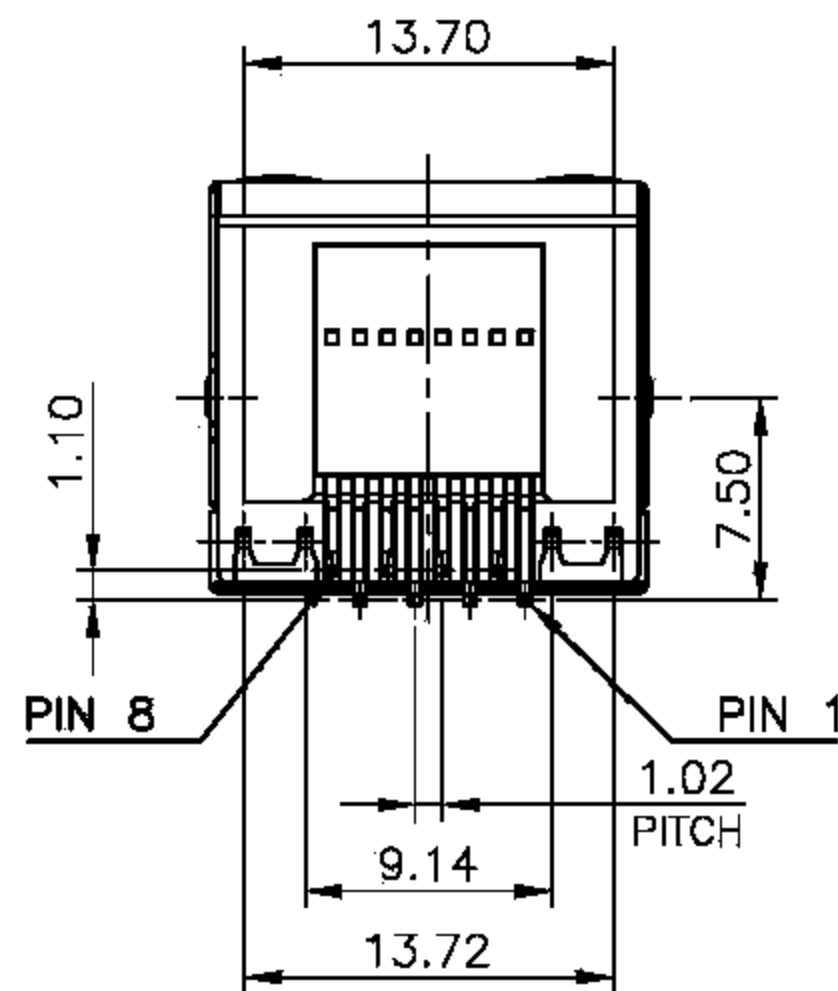
# RoHS Compliance

NOTE:

CAVITY CONFIRMS TO FCC RULES AND REGULATIONS PART 68, SUBPART F.



RECOMMENDED PCB LAYOUT  
PCB THICKNESS: 1.2mm  
TOLERANCE: ±0.05mm (TOP VIEW)



THIS DRAWING IS A CONTROLLED DOCUMENT. DO NOT SCALE DRAWING.	
DIMENSIONS: MM	TOLERANCES UNLESS OTHERWISE SPECIFIED:
	0 PLC ± - 1 PLC ±0.25 2 PLC ±0.20 3 PLC ±0.10 ANGLES ± -
MATERIAL SEE NOTES	FINISH SEE NOTES
DWN <i>A.HUANG</i>	DATE APR-19-2012
CHK <i>M.CHANG</i>	APR-19-2012
APVD <i>W.J.YANG</i>	APR-20-2012

淮洋有限公司 HUI YANG CO.,LTD.  
TEL : 886-2-8261-8986 FAX : 886-2-8261-1885  
www.hy1688.com.tw 236新北市土城區中央路二段191號10樓之5

TITLE MODULAR JACK RJ45,  
WITH LED'S & SHELL,  
SIDE ENTRY, DIP TYPE

LTR	DESCRIPTION	DATE	APVD
REVISIONS			

SIZE A3	CAUSE CODE -	DRAWING NO 982201
WEIGHT -	GRAMS Ref.	REV 9 SHEET 1