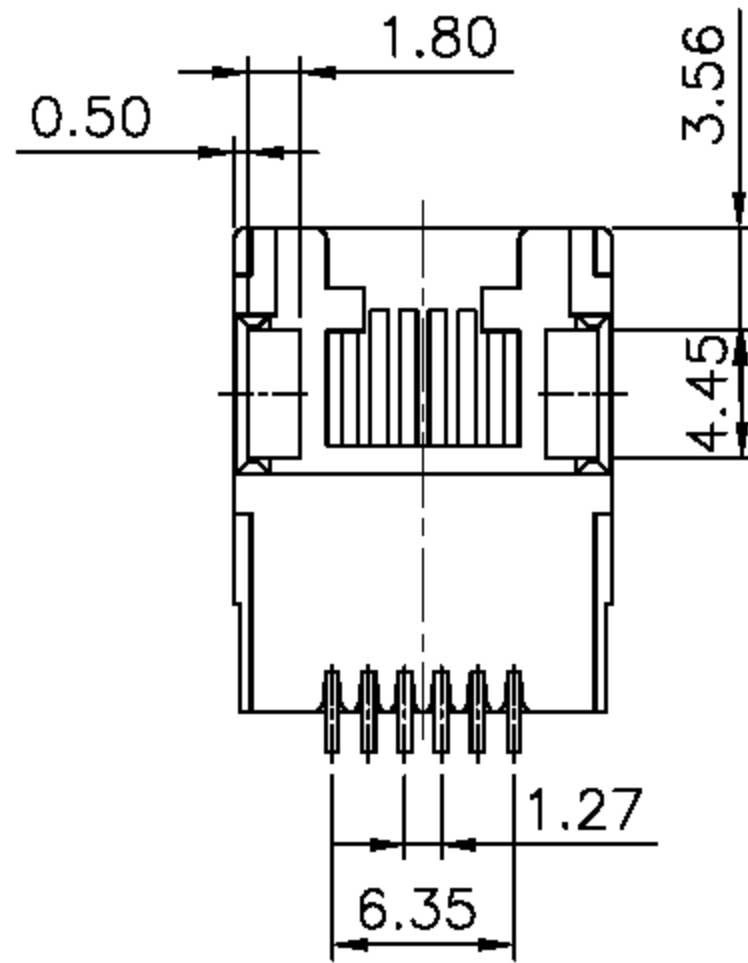
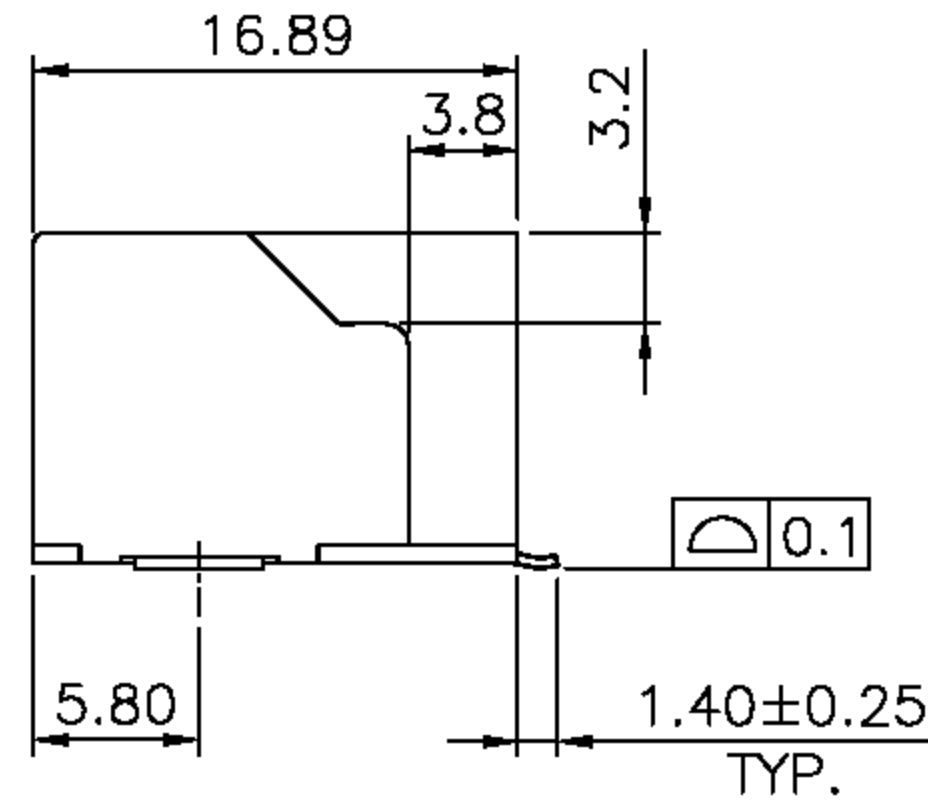
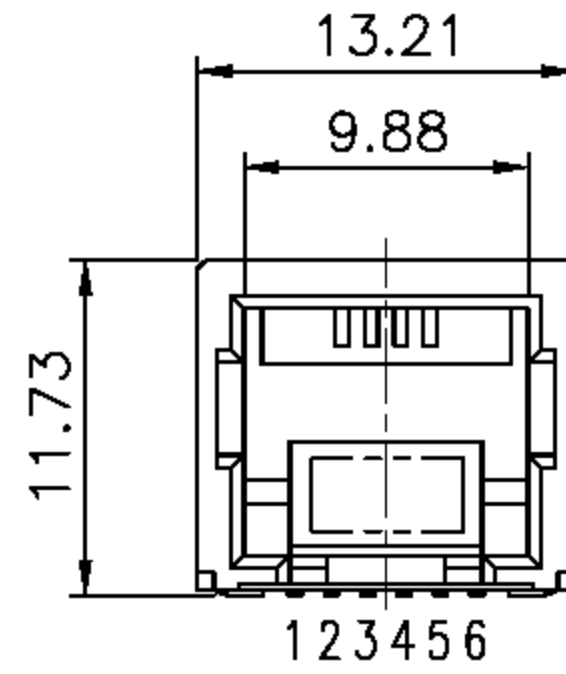
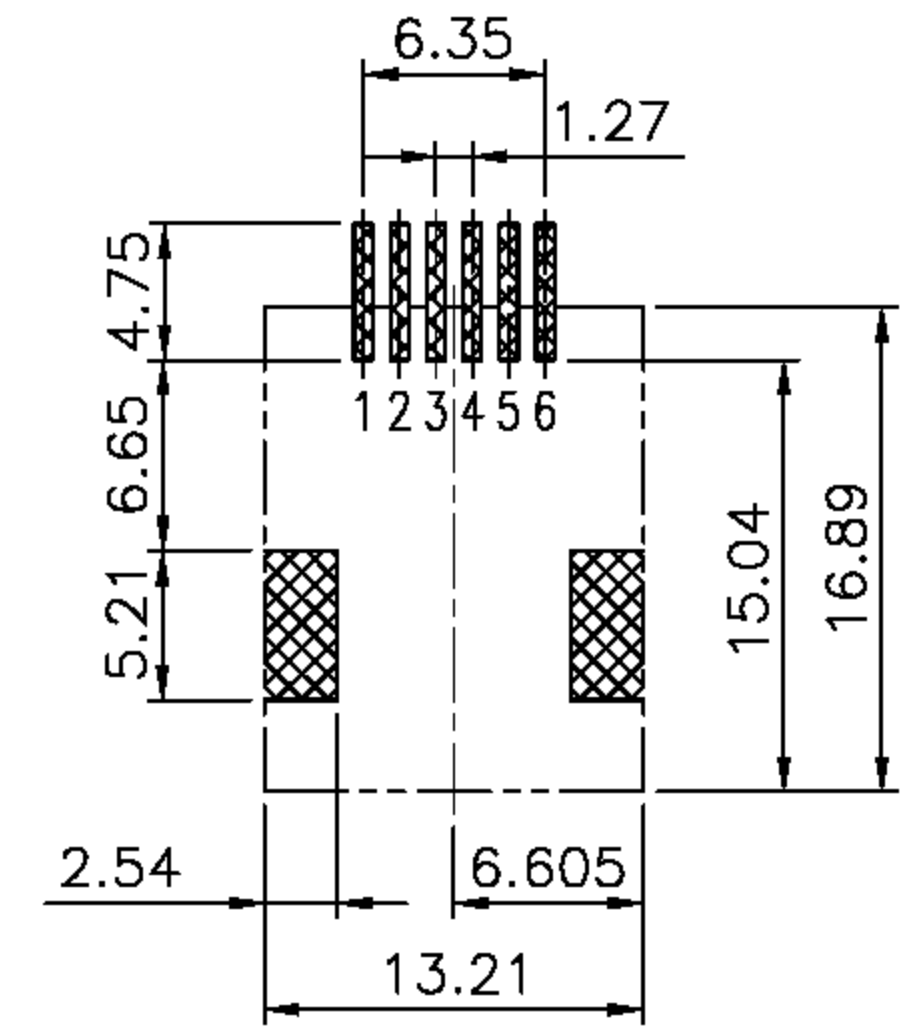


RoHS Compliance



COPLANARITY SPECIFICATION:
WITH THE MODULAR JACK SITTING
ON A LEVEL SURFACE.
THE MAXIMUM GAP BETWEEN
THE LEVEL SURFACE AND ALL
TERMINAL TAILS AND BOTH FITTING
NAILS IS 0.10mm/m



PCB LAYOUT
Ref.

淮洋有限公司 HUI YANG CO., LTD.

TEL : 886-2-8261-8986 FAX : 886-2-8261-1885
www.hy1688.com.tw 236新北市土城區中央路二段191號10樓之5

TITLE RJ11, SMT TYPE, SHIELDLESS
SIDE ENTRY PCB JACK

SCALE SIZE DWG.NO. REV. SHEET
982001 2 1

DO NOT SCALE DRAWING	TOLERANCES UNLESS OTHERWISE NOTED	INCH	MM	DR. <i>CIAN.CI.LUO</i>	DATE DEC-29 '08
THIRD ANGLE PROJECTION	LINEAR	MM 00 ± .01 000 ± .005 0000 ± .002	INCH 0.0 ± 0.25 0.00 ± 0.13 0.000 ± 0.05	CK'D <i>M.CHANG</i>	DEC-29 '08
MM INCH	ANGLE ± 0° 30'	RADII	+ 0.40 - 0.15	APP'D <i>W.J.YANG</i>	DEC-30 '08