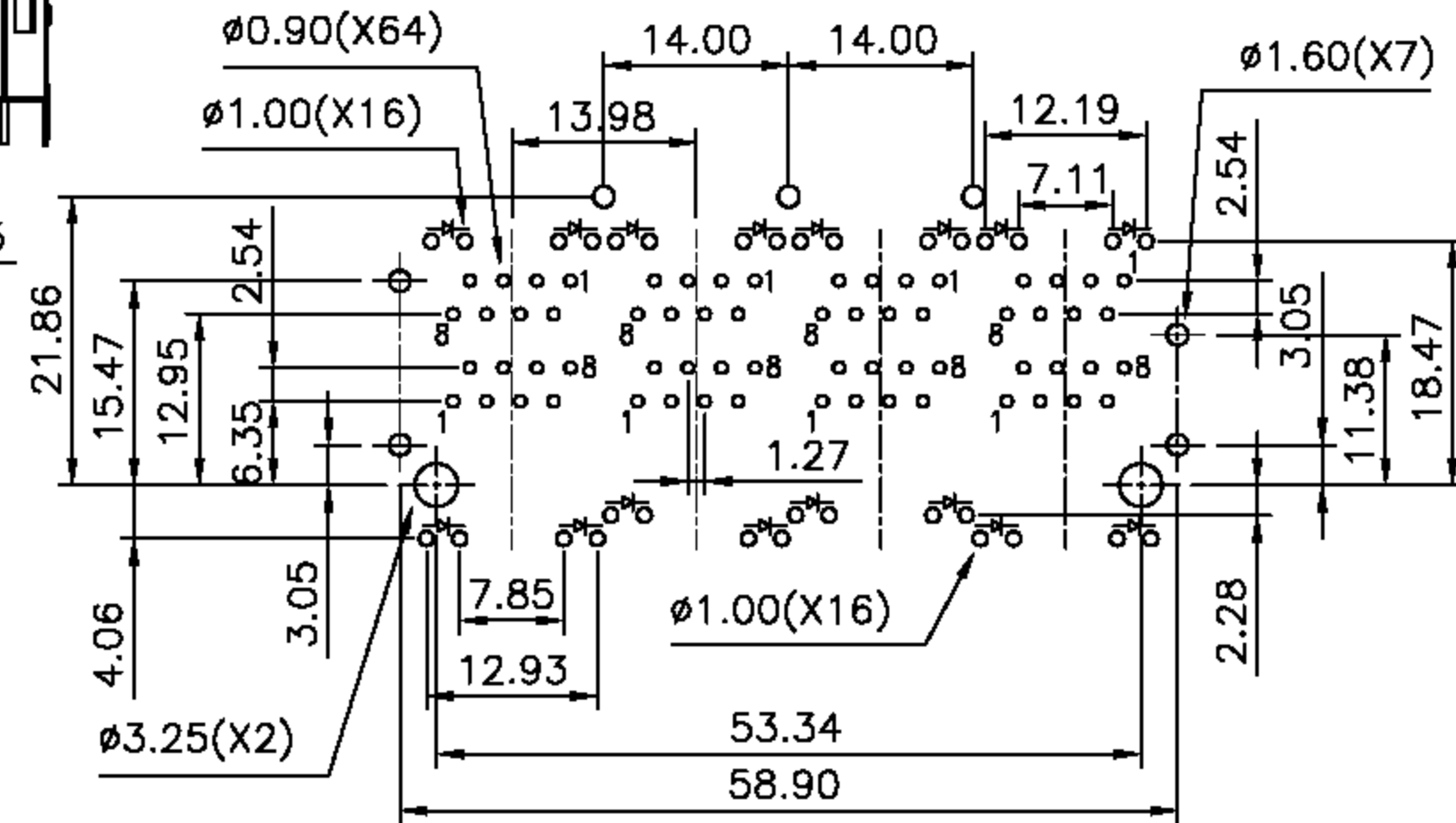
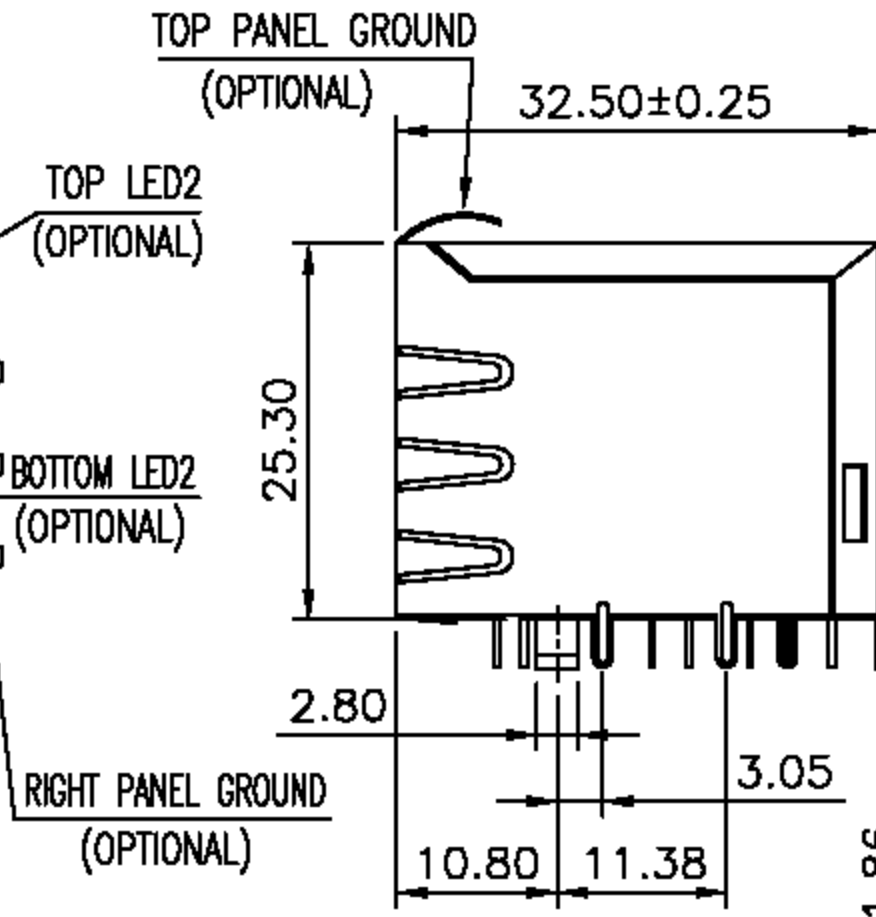
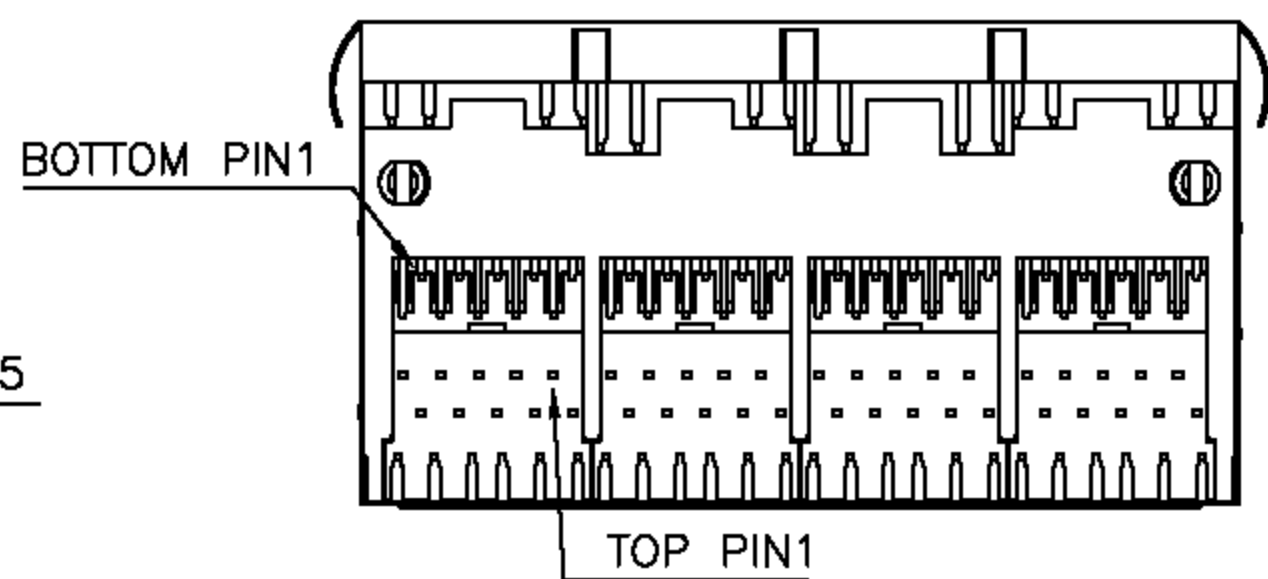


**DETAIL X**



**PCB LAYOUT**

Ref.

|                        |                                   |                         |   |                          |                    |
|------------------------|-----------------------------------|-------------------------|---|--------------------------|--------------------|
| DO NOT SCALE DRAWING   | TOLERANCES UNLESS OTHERWISE NOTED | INCH                    | MM  | DR.<br><i>M.L.HUANG</i>  | DATE<br>NOV-17 '04 |
| THIRD ANGLE PROJECTION | LINEAR<br>MM<br>INCH              | 00 ±<br>000 ±<br>0000 ± | 0.0 ± 0.25<br>0.00 ± 0.20<br>0.000 ± 0.10 | CK'D<br><i>M.CHANG</i>   | NOV-17 '04         |
| MM<br>INCH             | ANGLE ± 0° 30'                    | RADII                   | + 0.40<br>- 0.15                          | APP'D<br><i>W.J.YANG</i> | NOV-18 '04         |

淮洋有限公司 HUI YANG CO., LTD.  
TEL : 886-2-8261-8986 FAX : 886-2-8261-1885  
www.hy1688.com.tw 236 新北市土城區中央路二段191號10樓之5

|       |  |         |            |
|-------|--|---------|------------|
| TITLE | 2X4PORT, RJ45, STACKABLE JACK WITH LED'S, SHIELDED |         |            |
| SCALE | SIZE   | DWG.NO. | REV. SHEET |
|       |  | 981501  | 4 1        |