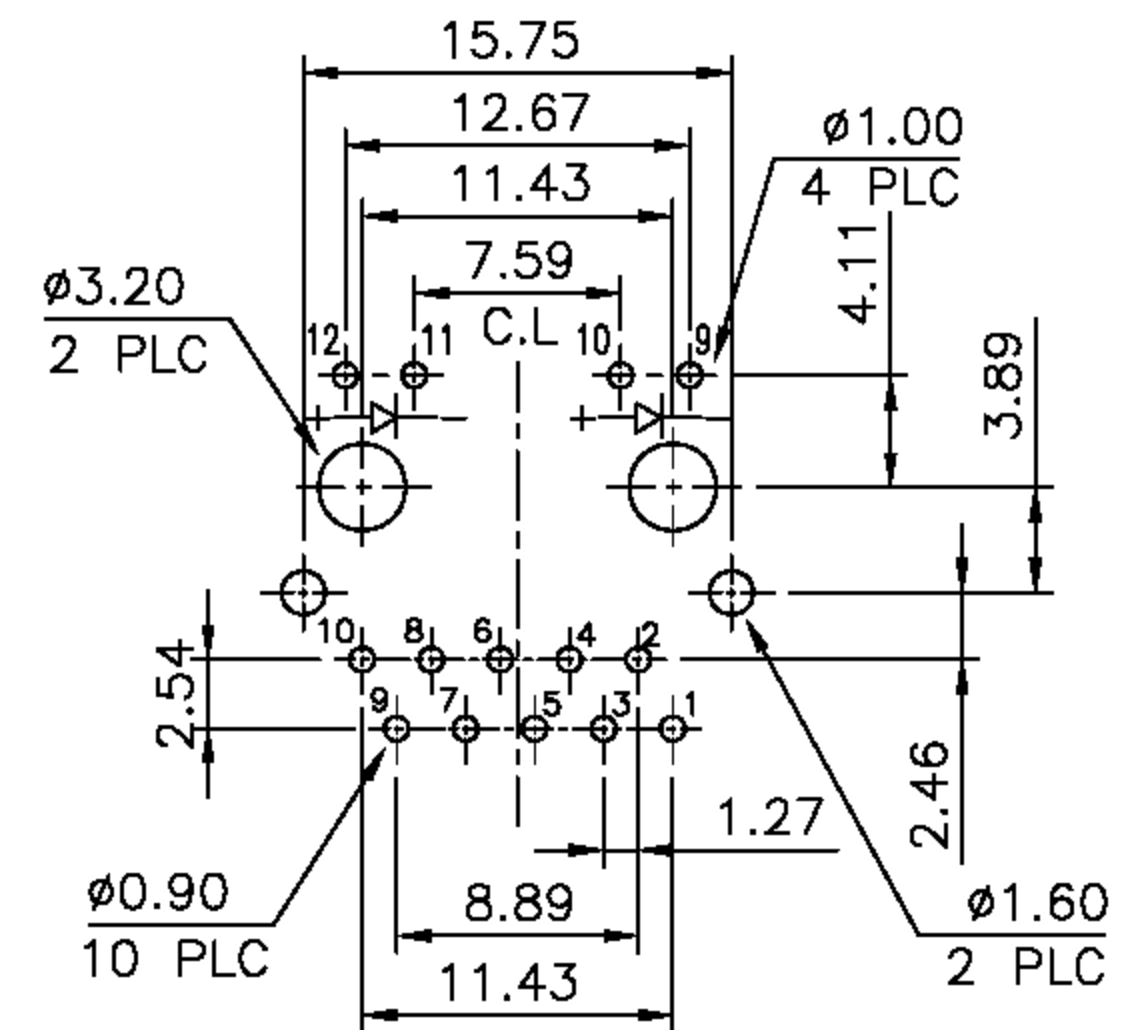
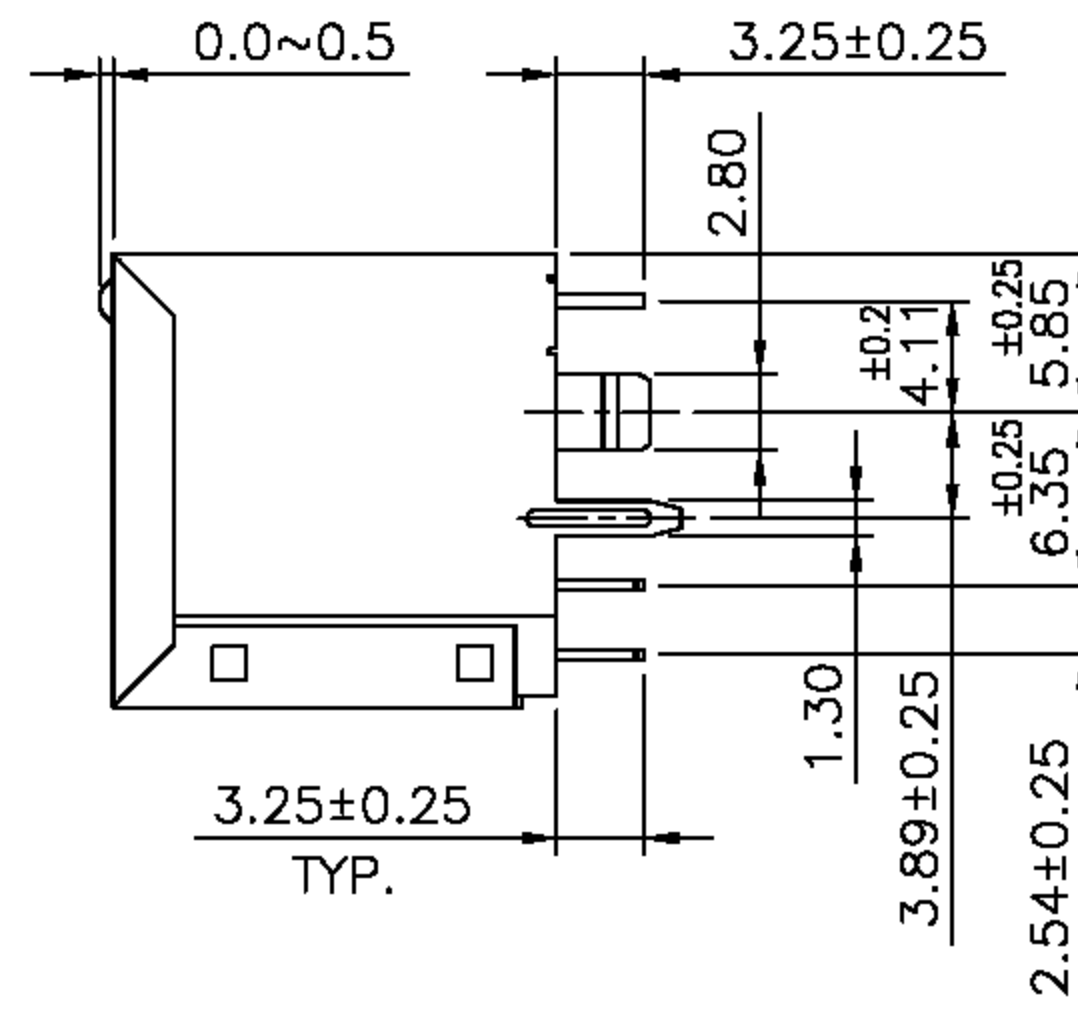
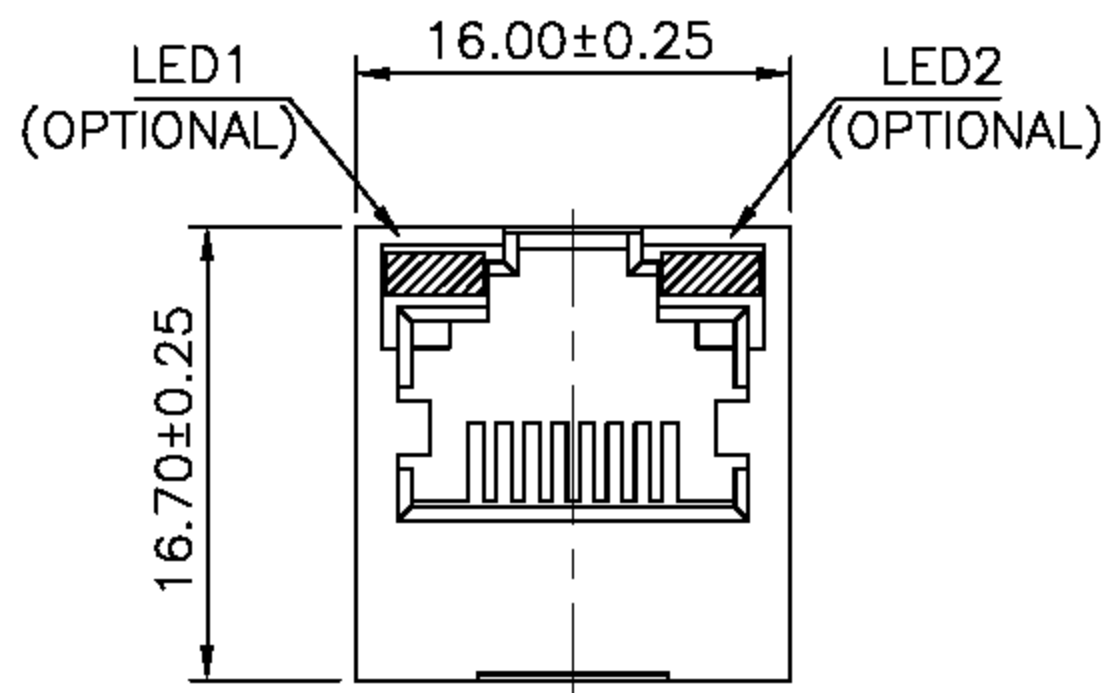


DETAIL X



PCB Layout Ref.

淮洋有限公司 HUIYANG CO., LTD.
 TEL : 886-2-8261-8986 FAX : 886-2-8261-1885
 www.hy1688.com.tw 236新北市土城區中央路二段191號10樓之5

DO NOT SCALE DRAWING	TOLERANCES UNLESS OTHERWISE NOTED	INCH	MM	DR. <i>M.L.HUANG</i>	DATE SEP-21 '04
THIRD ANGLE PROJECTION	LINEAR	$00 \pm .01$ $000 \pm .005$ $0000 \pm .002$	0.0 ± 0.25 0.00 ± 0.13 0.000 ± 0.05	CK'D <i>M.CHANG</i>	SEP-21 '04
MM INCH	ANGLE $\pm 0^\circ 30'$	RADII	± 0.40 -0.15	APP'D <i>W.J.YANG</i>	SEP-23 '04

TITLE	SCALE	SIZE	DWG.NO.	REV.	SHEET
RJ45, WITH LED'S, SHIELDED, WITH TRANSFORMER, FLAT PIN, TOP ENTRY PCB JACK			981301	7	1