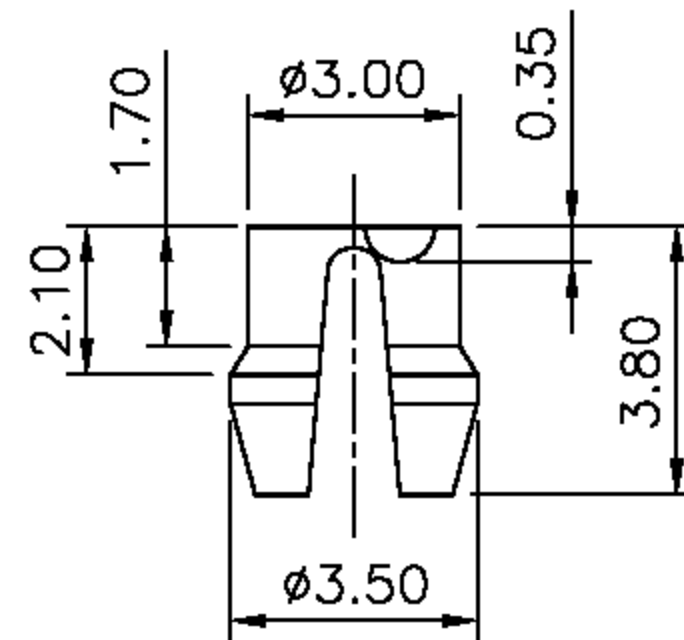
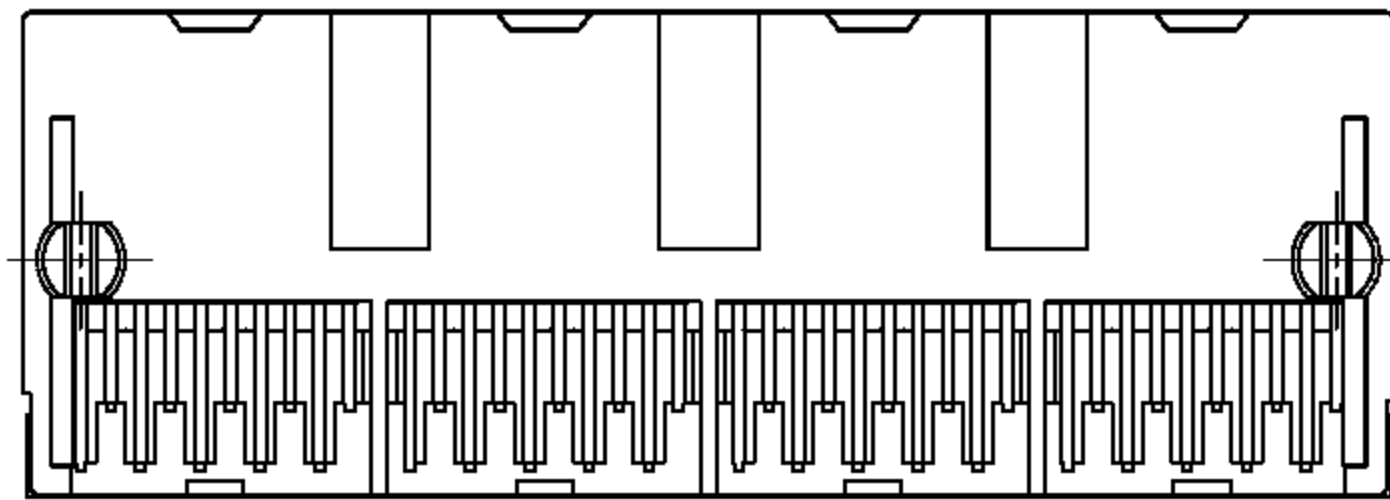
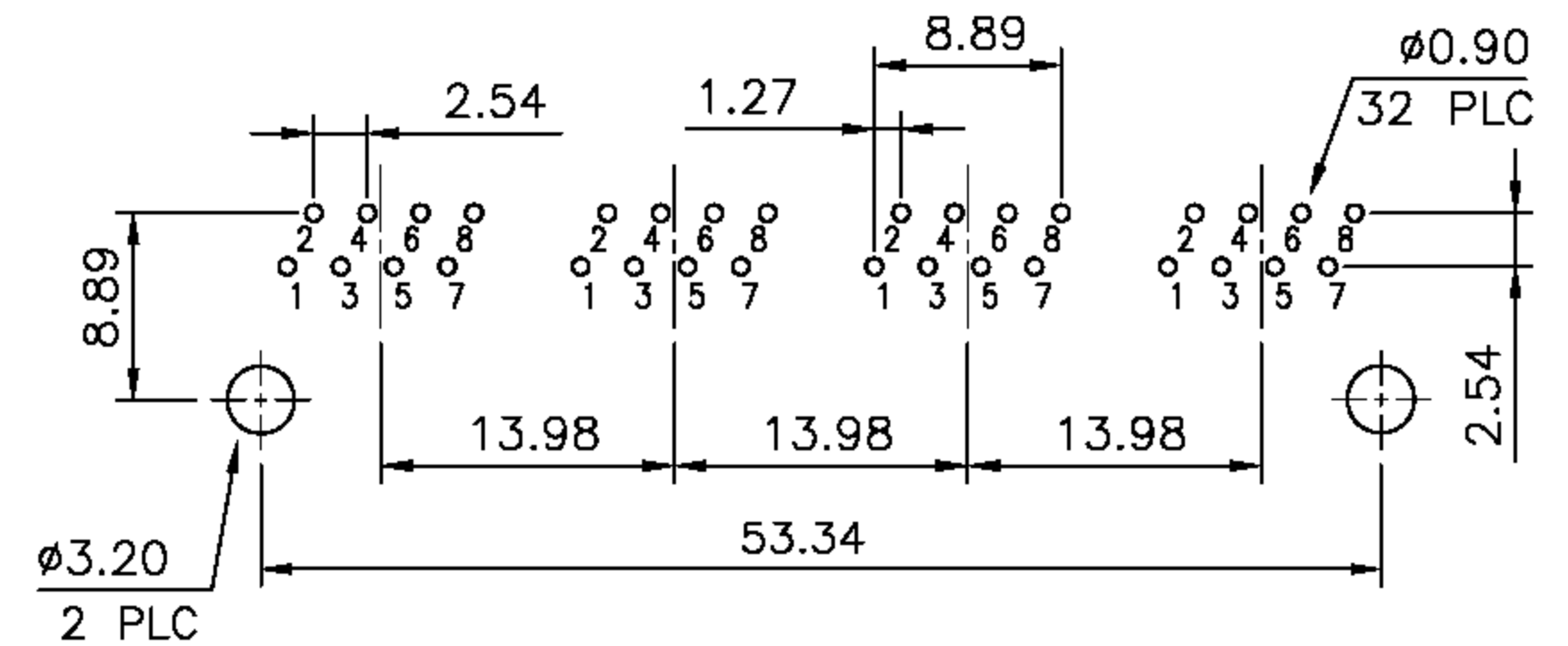


REVISIONS			
LTR	DESCRIPTION	DATE	APP
△	3.40±0.25	05/29/'04	CHANG



**DETAIL Y**



**PCB LAYOUT**  
Ref.

DO NOT SCALE DRAWING	TOLERANCES UNLESS OTHERWISE NOTED	INCH	MM	DR. <i>M.L.HUANG</i>	DATE MAY-29 '04
THIRD ANGLE PROJECTION	LINEAR MM INCH	00 ± 000 ± 0000 ±	0.0 ± 0.25 0.00 ± 0.20 0.000 ± 0.10	CK'D <i>M.CHANG</i>	MAY-29 '04
MM INCH	ANGLE ± 0° 30'	RADII	± 0.40 - 0.15	APP'D <i>W.J.YANG</i>	MAY-29 '04

淮洋有限公司 HUI YANG CO., LTD.  
TEL : 886-2-8261-8986 FAX : 886-2-8261-1885  
www.hy1688.com.tw 236 新北市土城區中央路二段191號10樓之5

TITLE 4PORTS, RJ45, SHIELDLESS, FLAT PIN,  
WITH TRANSFORMER, SIDE ENTRY PCB JACK

SCALE	SIZE	DWG.NO.	REV.	SHEET
		981002	2	1