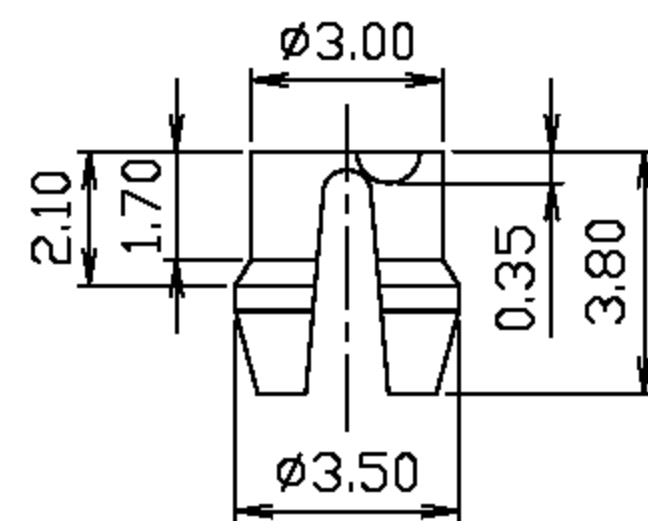
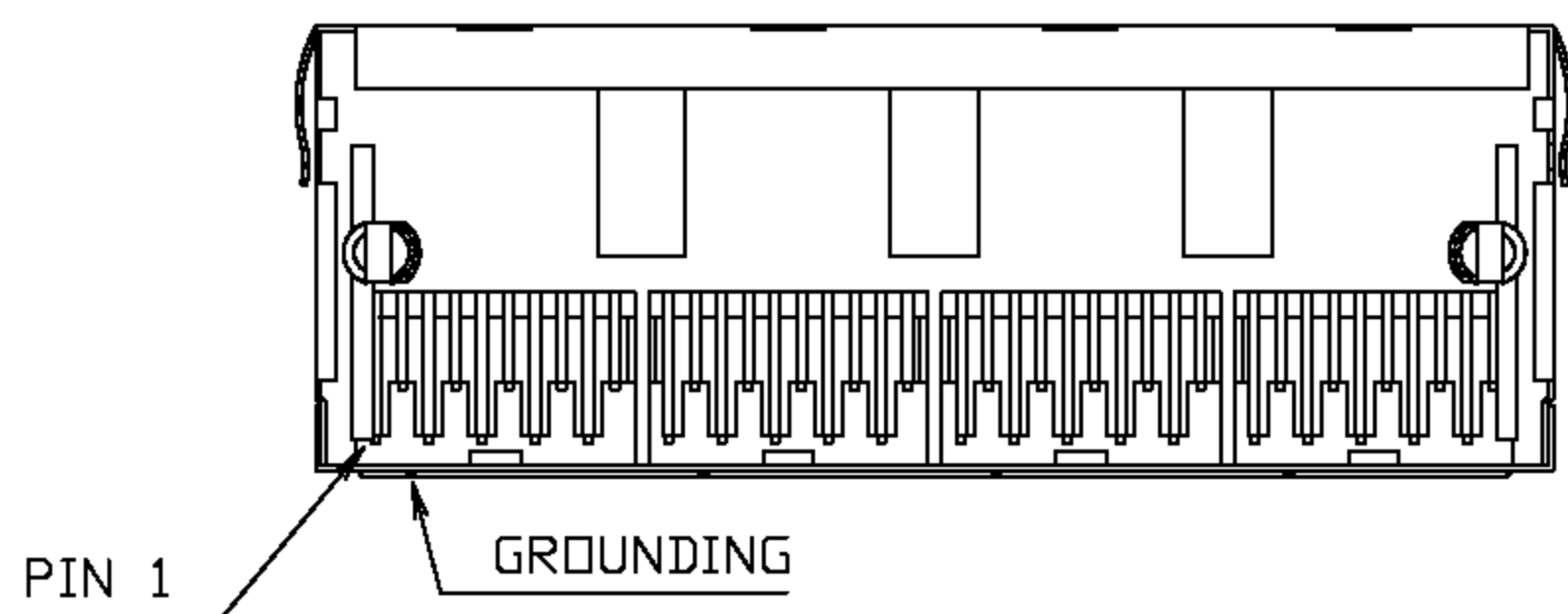
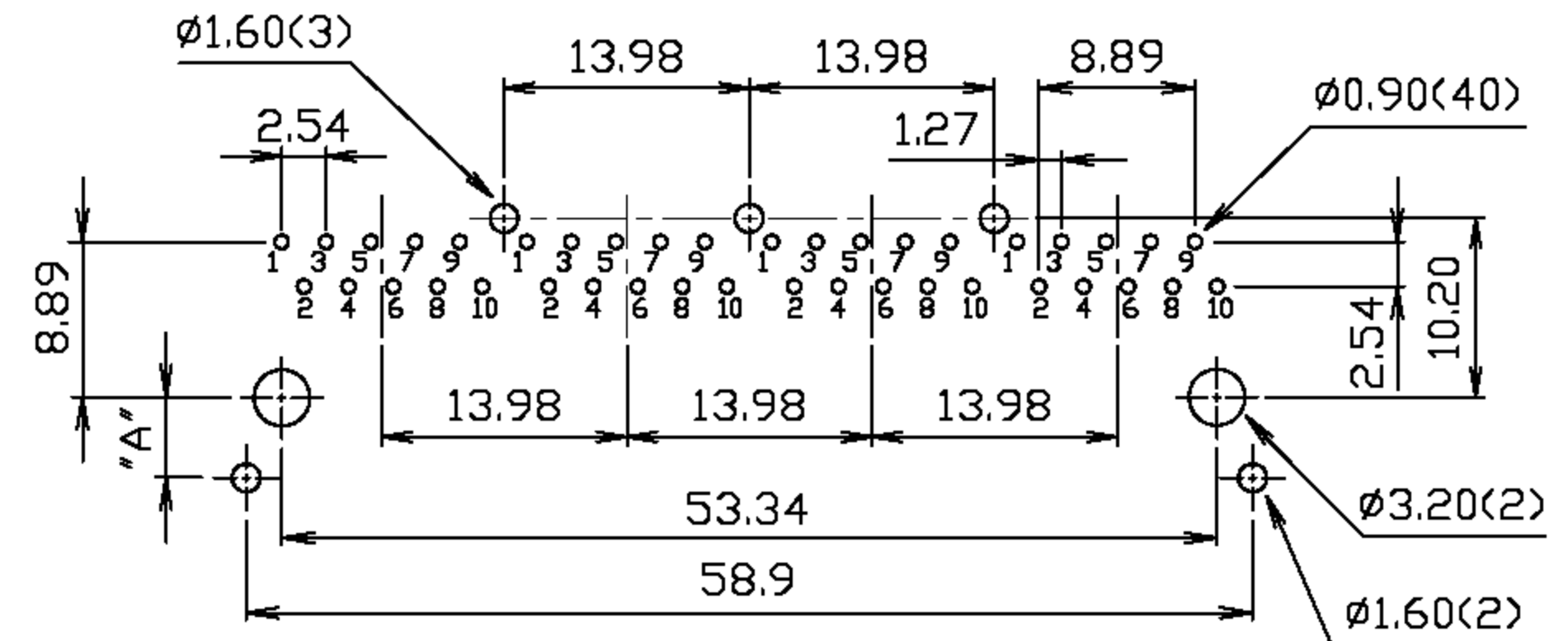


REVISIONS			
LTR	DESCRIPTION	DATE	APP
△	$3.40 \pm 0.25$	05/29/04	CHANG



DETAIL Y



PCB LAYOUT

Ref.

DO NOT SCALE DRAWING	TOLERANCES UNLESS OTHERWISE NOTED	INCH	MM	DR. <i>M.L.HUANG</i>	DATE MAY-29 '04	淮洋有限公司 HUI YANG CO., LTD. TEL : 886-2-8261-8986 FAX : 886-2-8261-1885 www.hy1688.com.tw 236 新北市土城區中央路二段191號10樓之5		
 THIRD ANGLE PROJECTION	LINEAR $\frac{\text{MM}}{\text{INCH}}$	$00 \pm$ $000 \pm$ $0000 \pm$	$0.0 \pm 0.25$ $0.00 \pm 0.20$ $0.000 \pm 0.10$	CK'D <i>M.CHANG</i>	MAY-29 '04	TITLE 4PORTS, RJ45, SHIELDED, FLAT PIN WITH TRANSFORMER, SIDE ENTRY PCB JACK		
MM INCH	ANGLE $\pm 0^{\circ} 30'$	RADII	$\pm 0.40$ $- 0.15$	APP'D <i>W.J.YANG</i>	MAY-29 '04	SCALE SIZE DWG.NO.  980403	REV. 3	SHEET 1