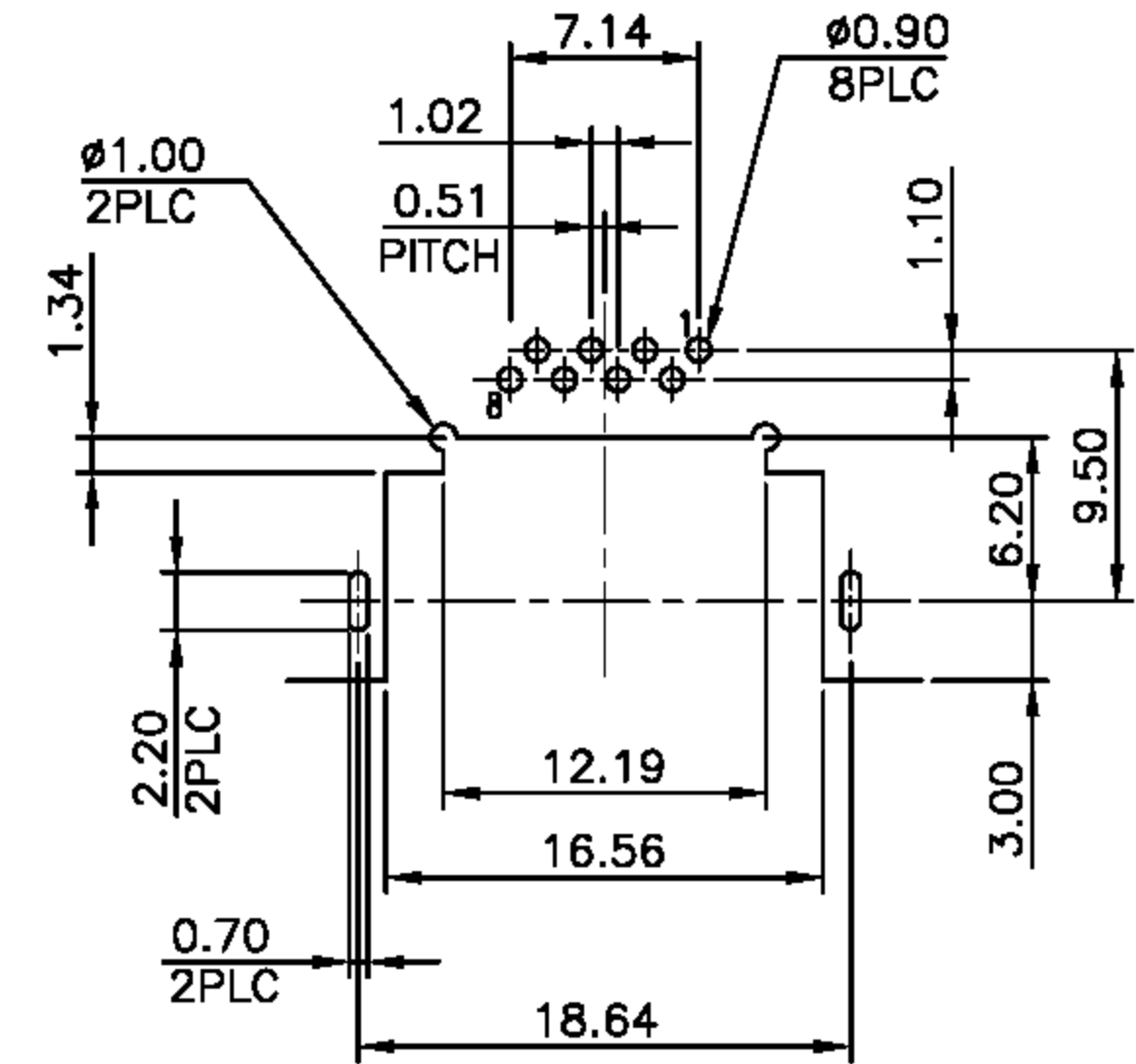
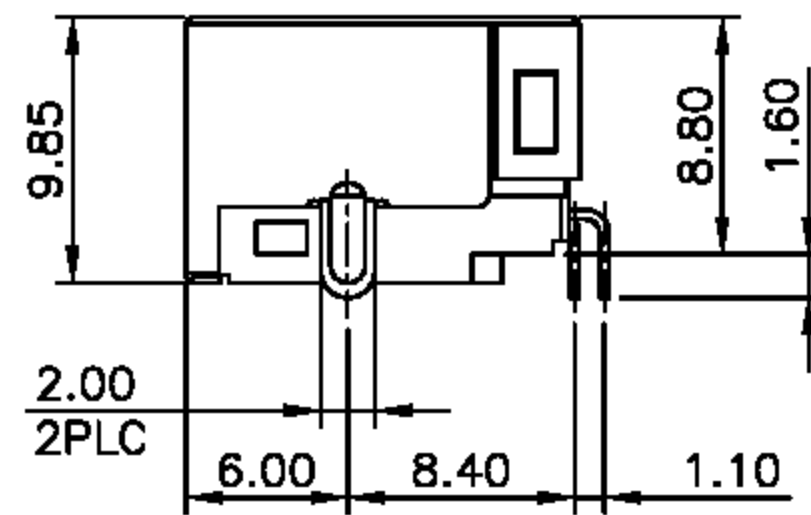
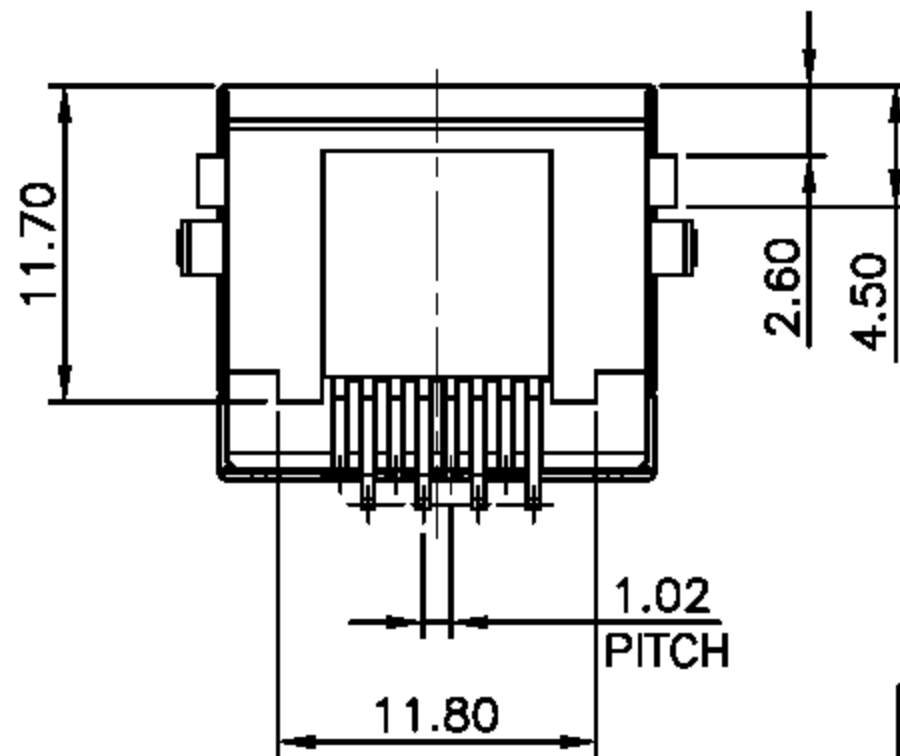
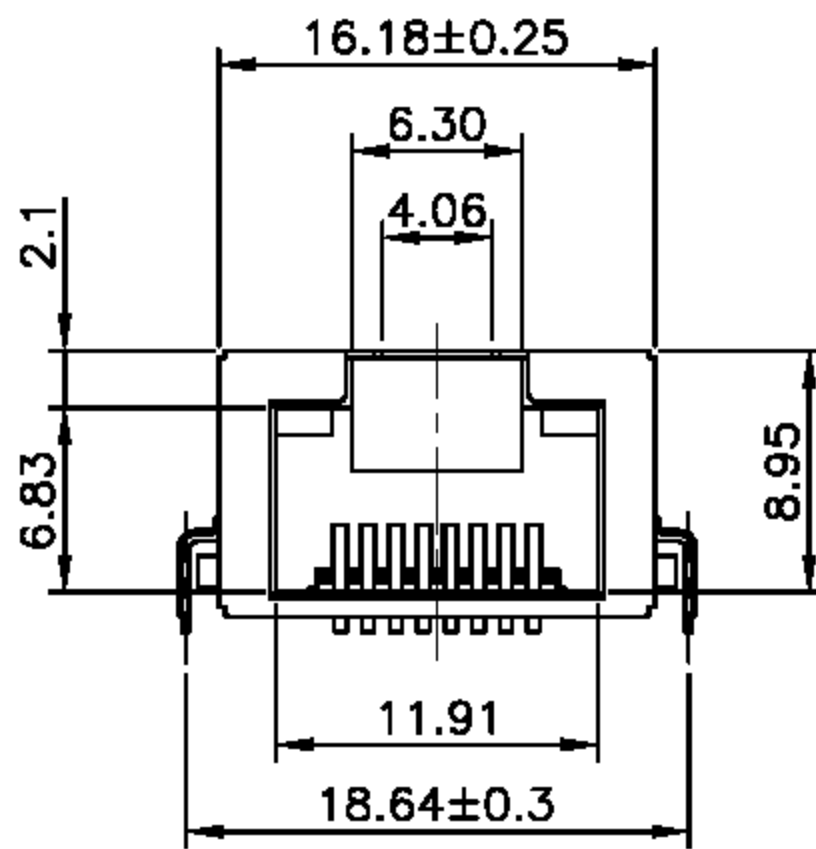
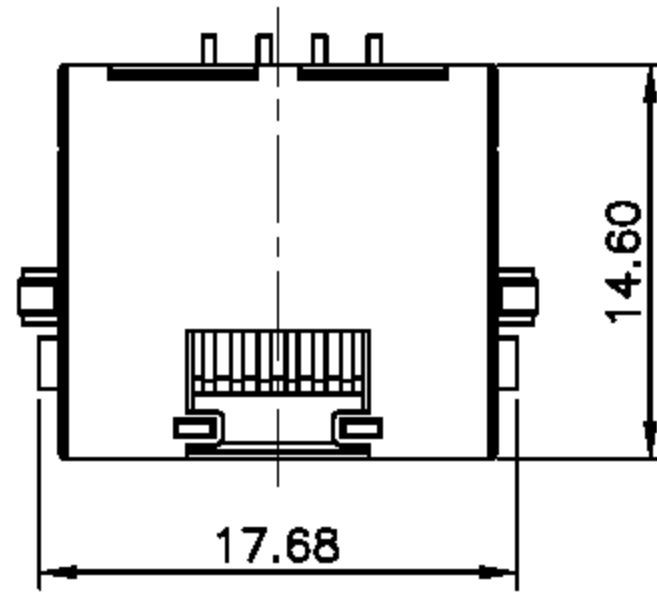


# RoHS Compliance

NOTE:

CAVITY CONFIRMS TO FCC RULES AND REGULATIONS PART 68, SUBPART F.



RECOMMENDED PCB LAYOUT  
 RECOMMENDED PCB THICKNESS: 1.2mm.  
 TOLERANCE: ±0.05 (TOP VIEW)

THIS DRAWING IS A CONTROLLED DOCUMENT.  
 DO NOT SCALE DRAWING.

DIMENSIONS: MM	TOLERANCES UNLESS OTHERWISE SPECIFIED:
	0 PLC ± -
	1 PLC ±0.25
	2 PLC ±0.20
	3 PLC ±0.10
ANGLES ± -	

THIRD ANGLE PROJECTION	FINISH
MATERIAL SEE NOTES	SEE NOTES
DWN <i>A.HUANG</i>	DATE JAN-16-2012
CHK <i>M.CHANG</i>	JAN-16-2012
APVD <i>W.J.YANG</i>	JAN-17-2012

淮洋有限公司 HUI YANG CO.,LTD.  
 TEL : 886-2-8261-8986 FAX : 886-2-8261-1885  
 www.hy1688.com.tw 236新北市土城區中央路二段191號10樓之5

TITLE  
 MODULAR JACK, RJ45,  
 WITH SHELL, DIP TYPE

LTR	DESCRIPTION	DATE	APVD
REVISIONS			

SIZE A3	CAUGE CODE -	DRAWING NO 979808
WEIGHT -	GRAMS Ref.	REV 1 SHEET 1