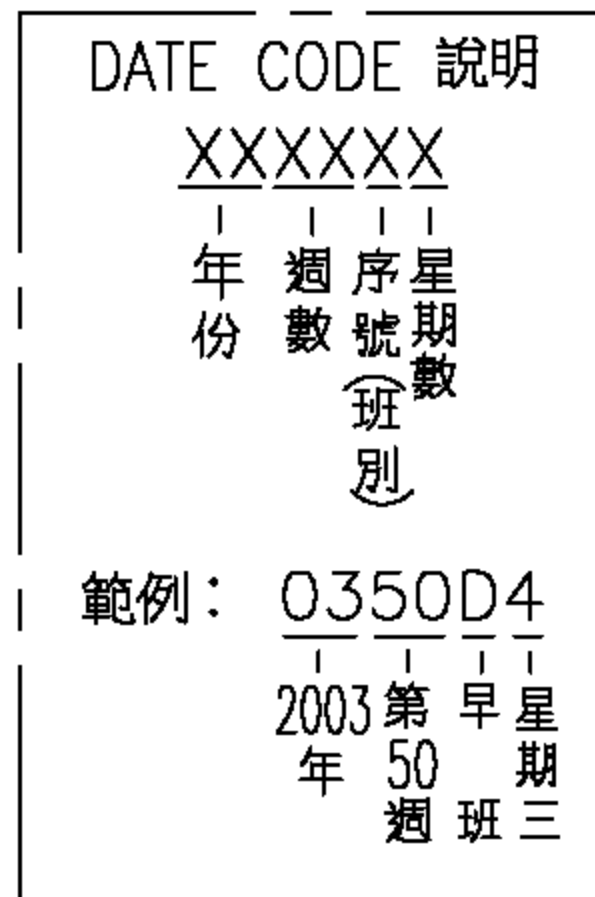
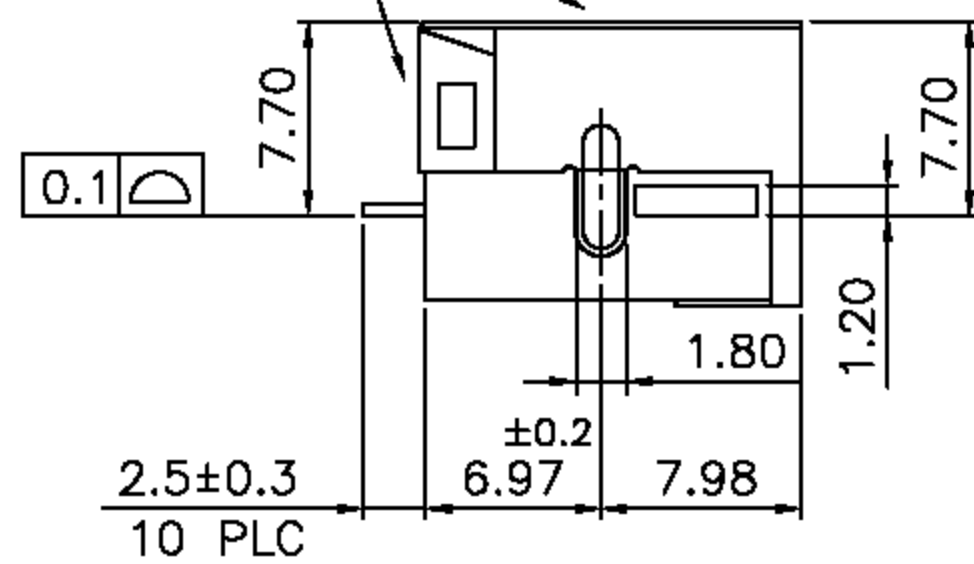
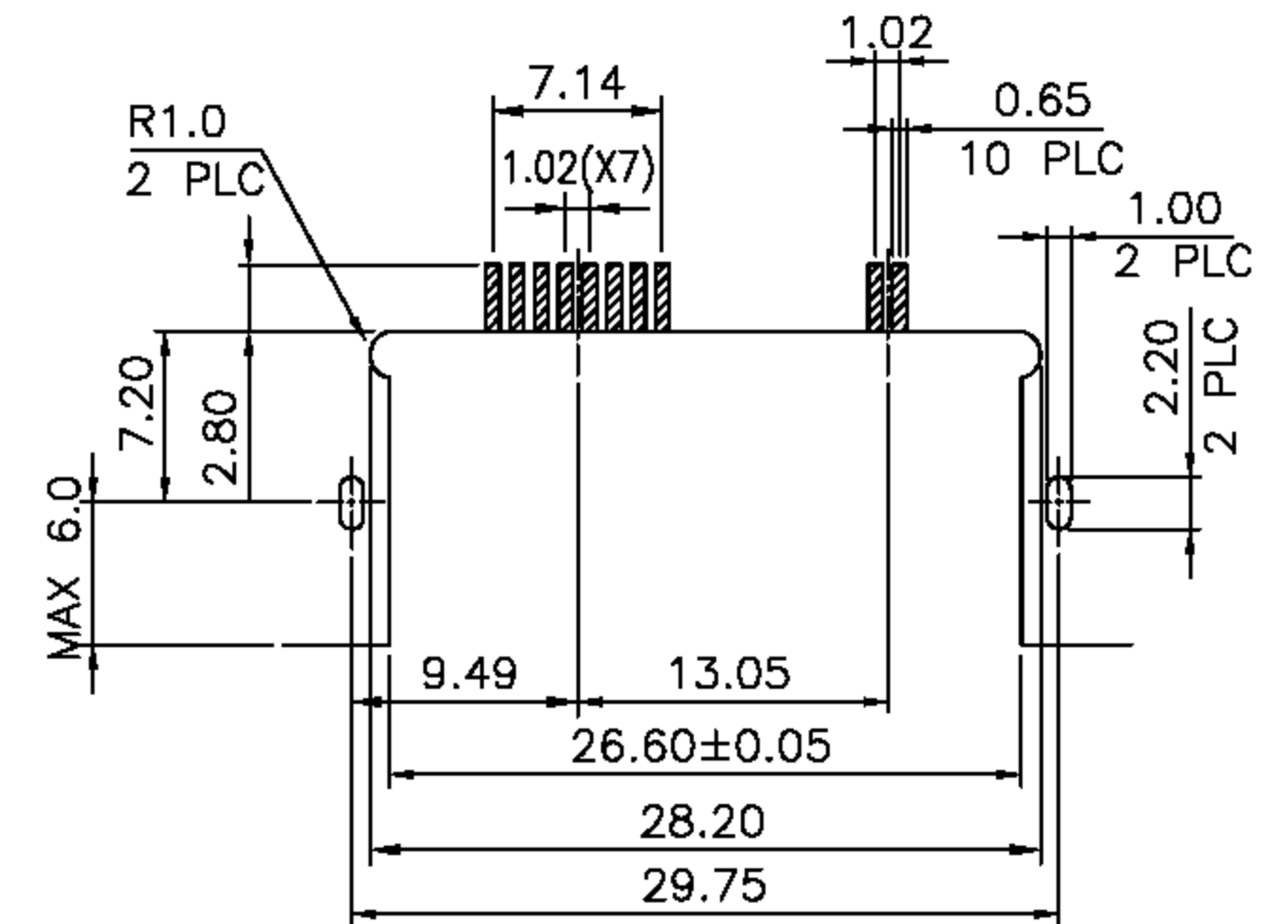
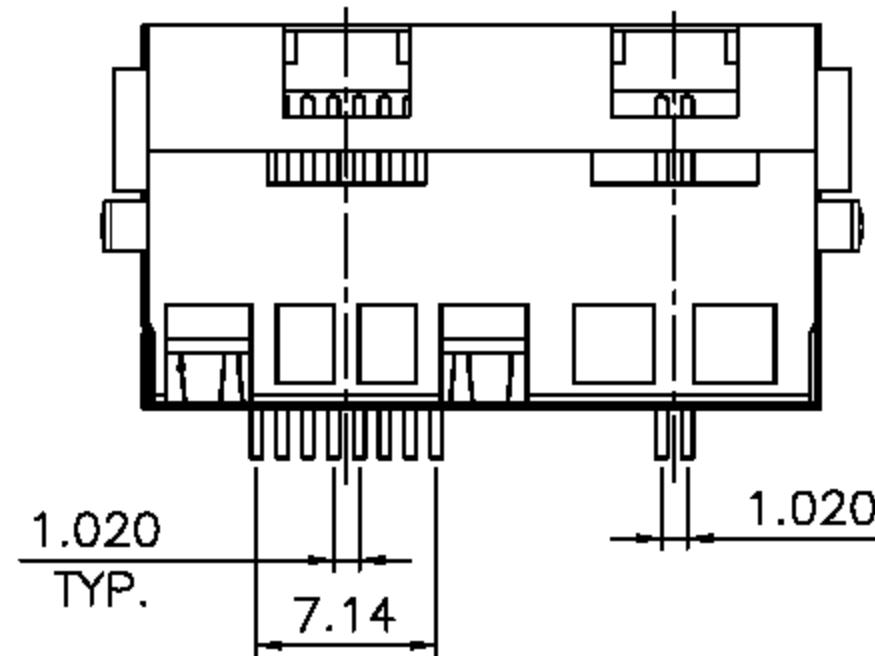
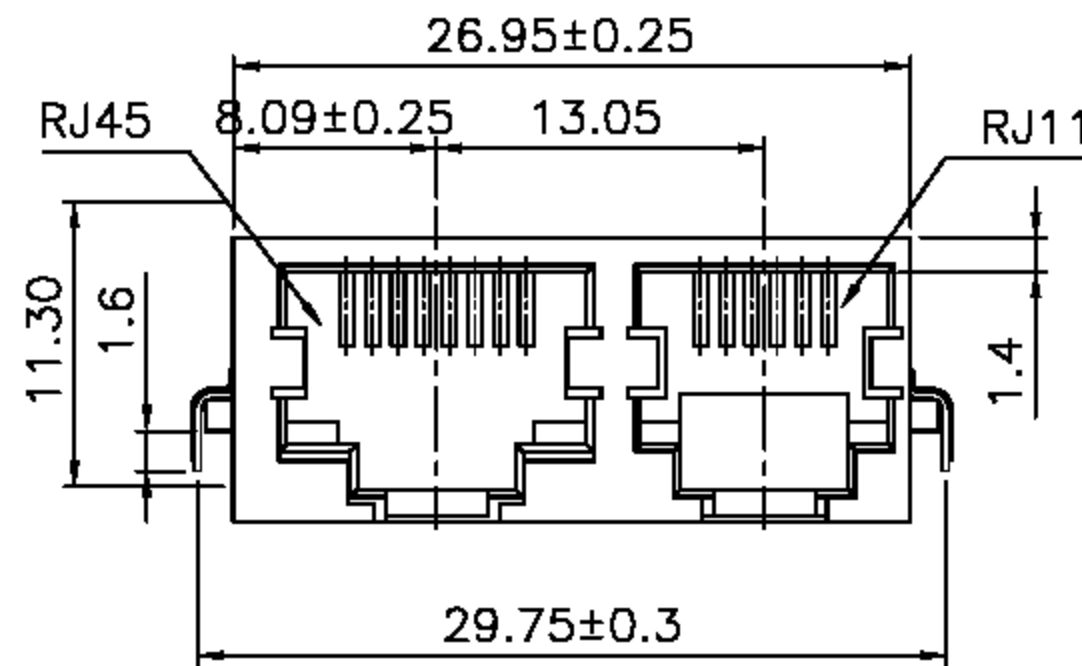
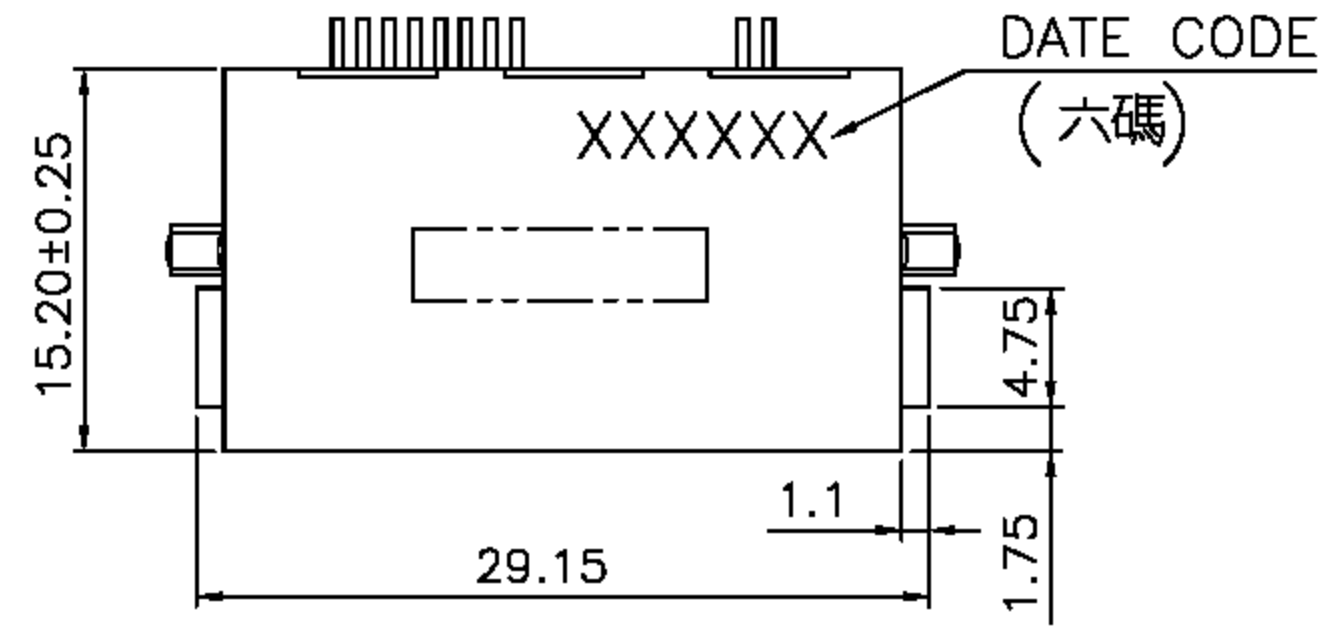


RoHS Compliance

鐵殼與塑膠體
之間必須貼膠帶
料號: 361-162



DETAIL X



PCB LAYOUT

Ref.

DO NOT SCALE DRAWING	TOLERANCES UNLESS OTHERWISE NOTED	INCH	MM	DR. <i>C.IAN.CI.LUO</i>	DATE DEC-29 '08	淮洋有限公司 HUI YANG CO., LTD. TEL: 886-2-8261-8986 FAX: 886-2-8261-1885 www.hy1688.com.tw 236 新北市土城區中央路二段191號10樓之5				
THIRD ANGLE PROJECTION	LINEAR	MM INCH	00 ± 000 ± 0000 ±	0.0 ± 0.25 0.00 ± 0.20 0.000 ± 0.10	CK'D <i>M.CHANG</i>	DEC-29 '08	TITLE MODULAR JACK, RJ45/RJ11, WITHOUT LED SMT TYPE, REVERSE VERSION			
MM INCH	ANGLE ± 0° 30'	RADII	± 0.40 - 0.15	APP'D <i>W.J.YANG</i>	DEC-30 '08	SCALE	SIZE	DWG.NO. 978902	REV. 4	SHEET 1