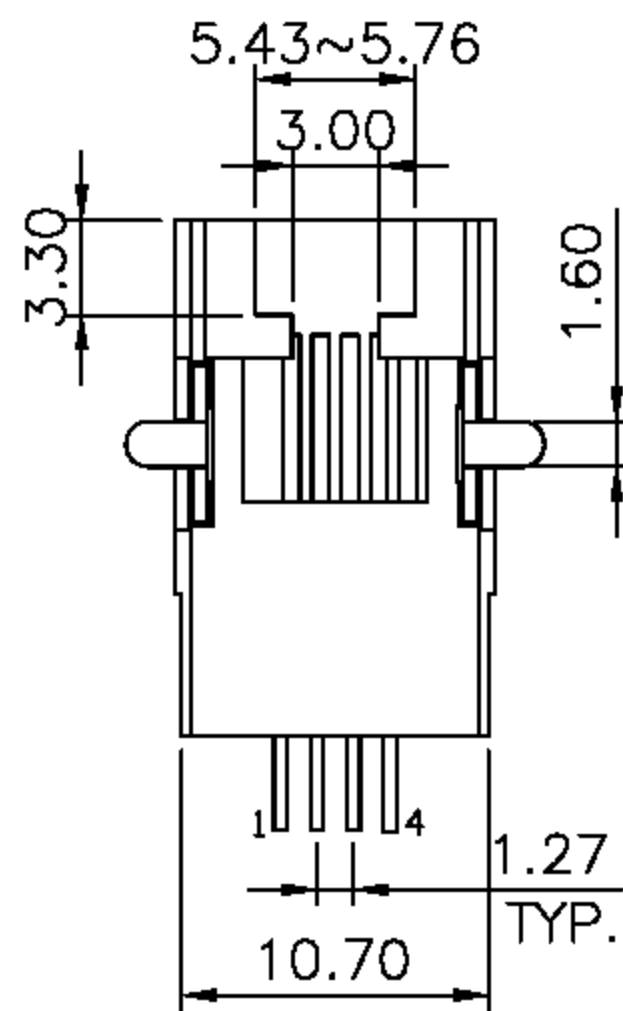
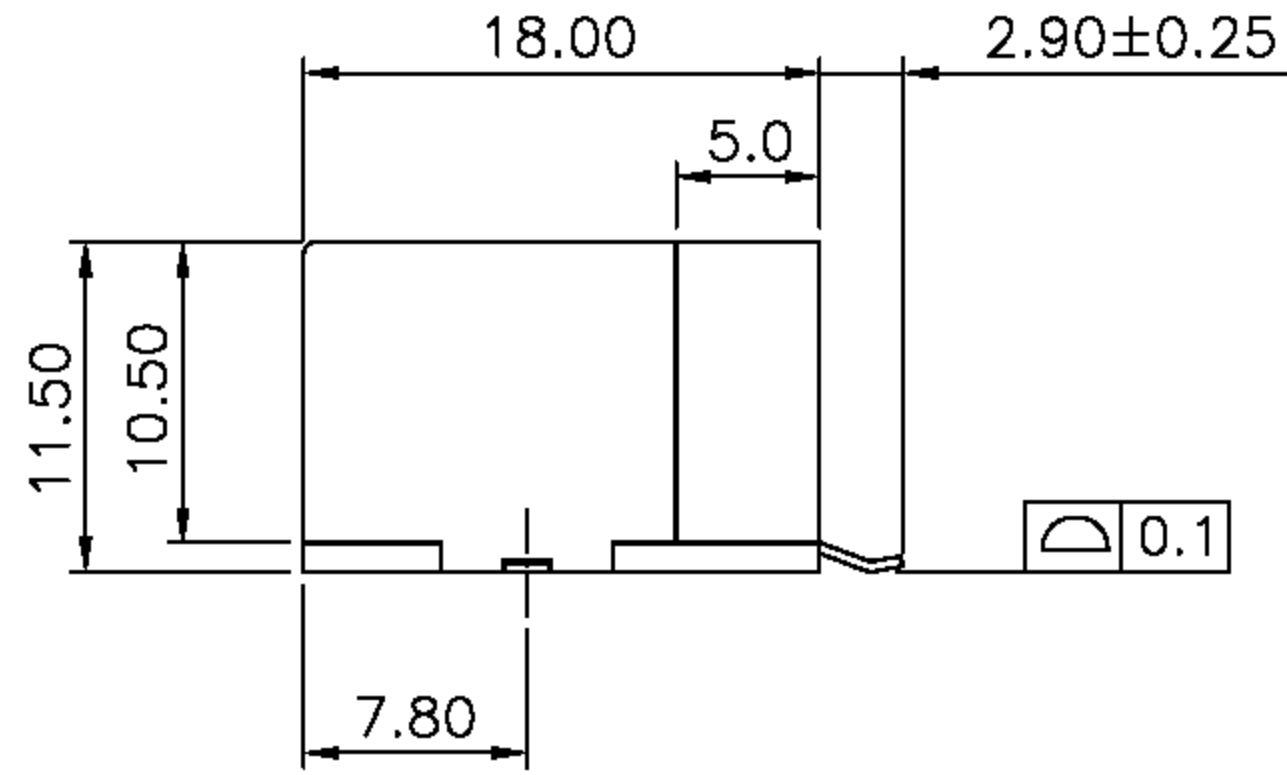
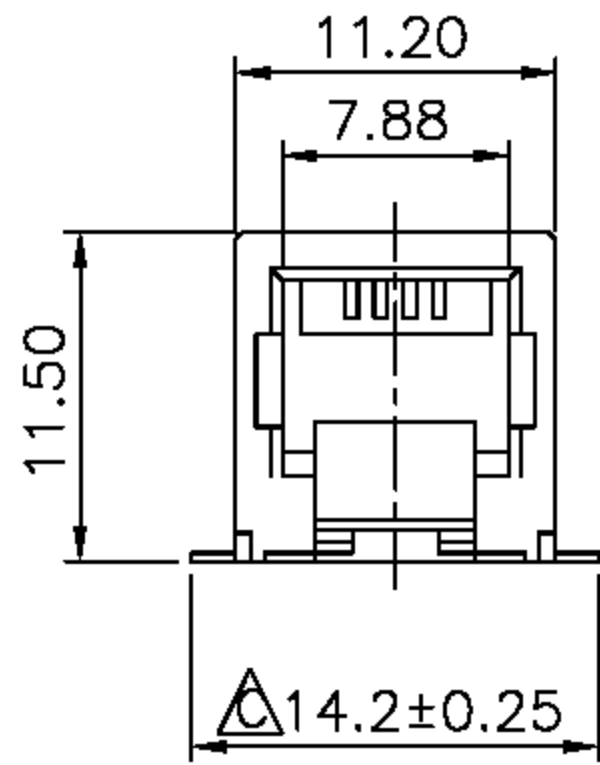
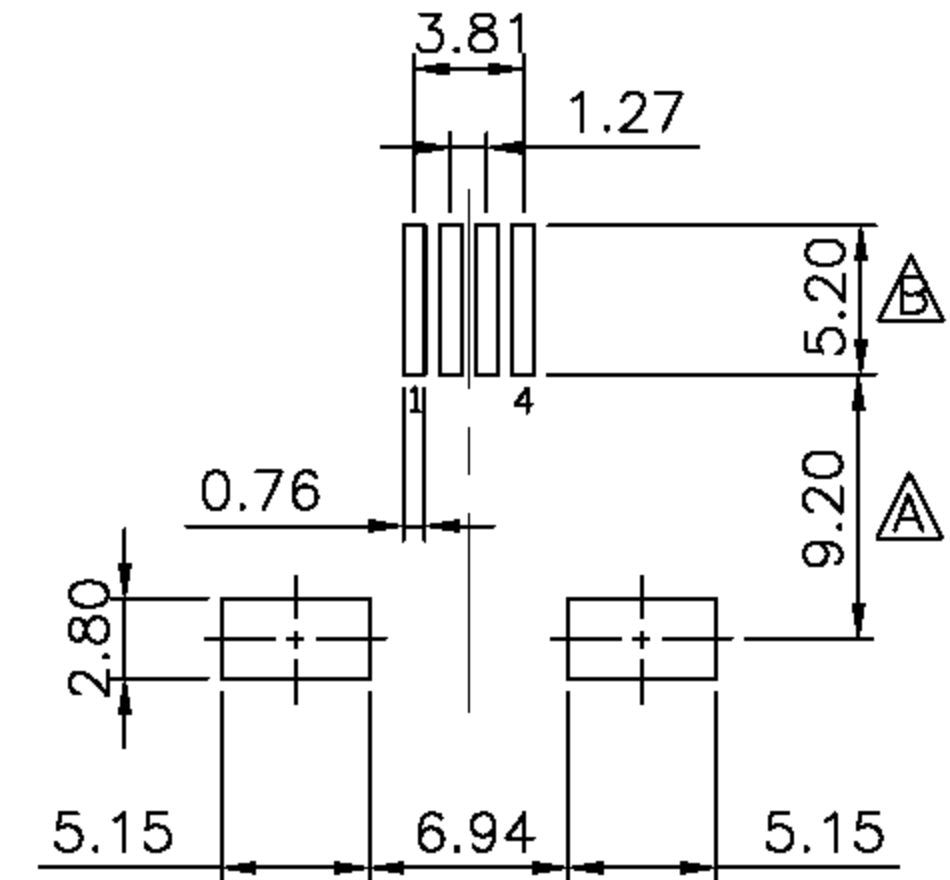


RoHS Compliance



REVISIONS			
LTR	DESCRIPTION	DATE	APP
△	7.15	02/13/'08	CHANG
△	6.35	02/13/'08	CHANG
△	ECN 14.4±0.25	04/03/'08	CHANG



PCB LAYOUT

Ref.

淮洋有限公司 HUI YANG CO., LTD.  
 TEL: 886-2-8261-8986 FAX: 886-2-8261-1885  
 www.hy1688.com.tw 236新北市土城區中央路二段191號10樓之5

DO NOT SCALE DRAWING	TOLERANCES UNLESS OTHERWISE NOTED	INCH	MM	DR. <i>CIAN.CI.LUO</i>	DATE DEC-29 '08					
THIRD ANGLE PROJECTION	LINEAR	MM INCH	00 ± .01 000 ± .005 0000 ± .002	0.0 ± 0.25 0.00 ± 0.13 0.000 ± 0.05	CK'D <i>M.CHANG</i>	DEC-29 '08	TITLE 4POSITION, SMT TYPE SIDE ENTRY PCB JACK			
MM INCH	ANGLE ± 0° 30'	RADII	+ 0.40 - 0.15	APP'D <i>W.J.YANG</i>	DEC-29 '08	SCALE	SIZE	DWG.NO. 977801	REV. 7	SHEET 1