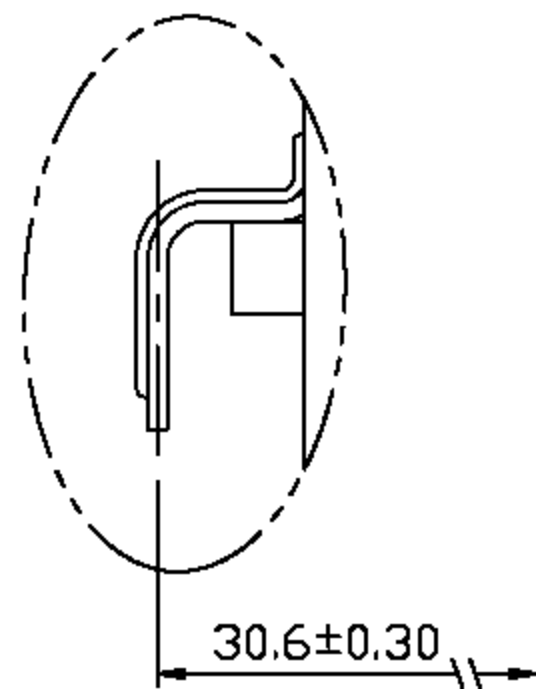
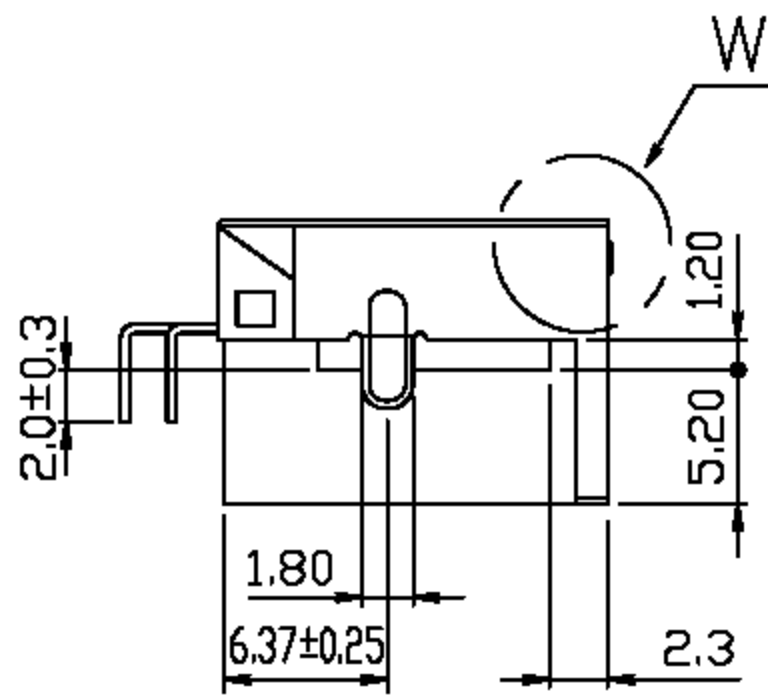
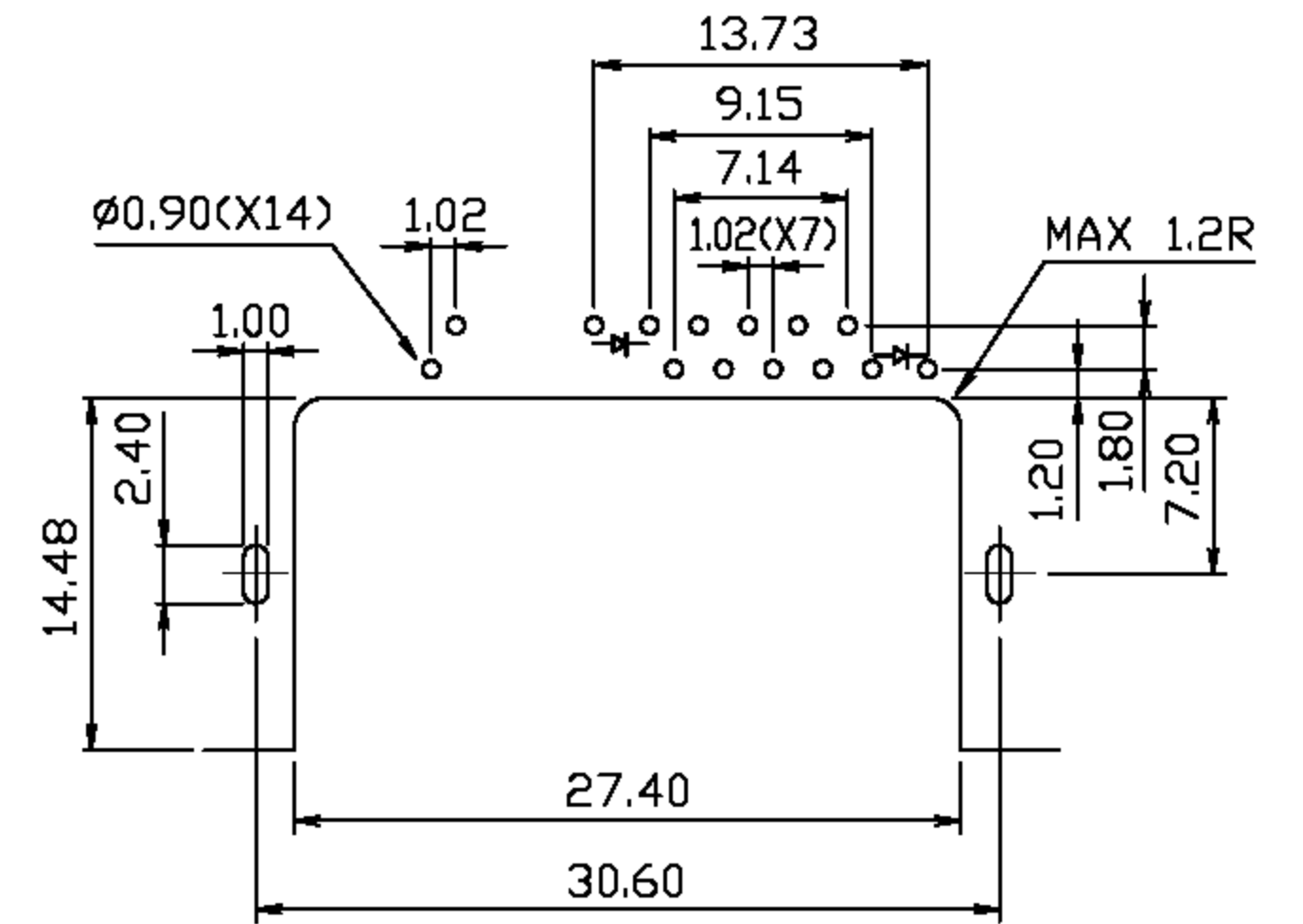
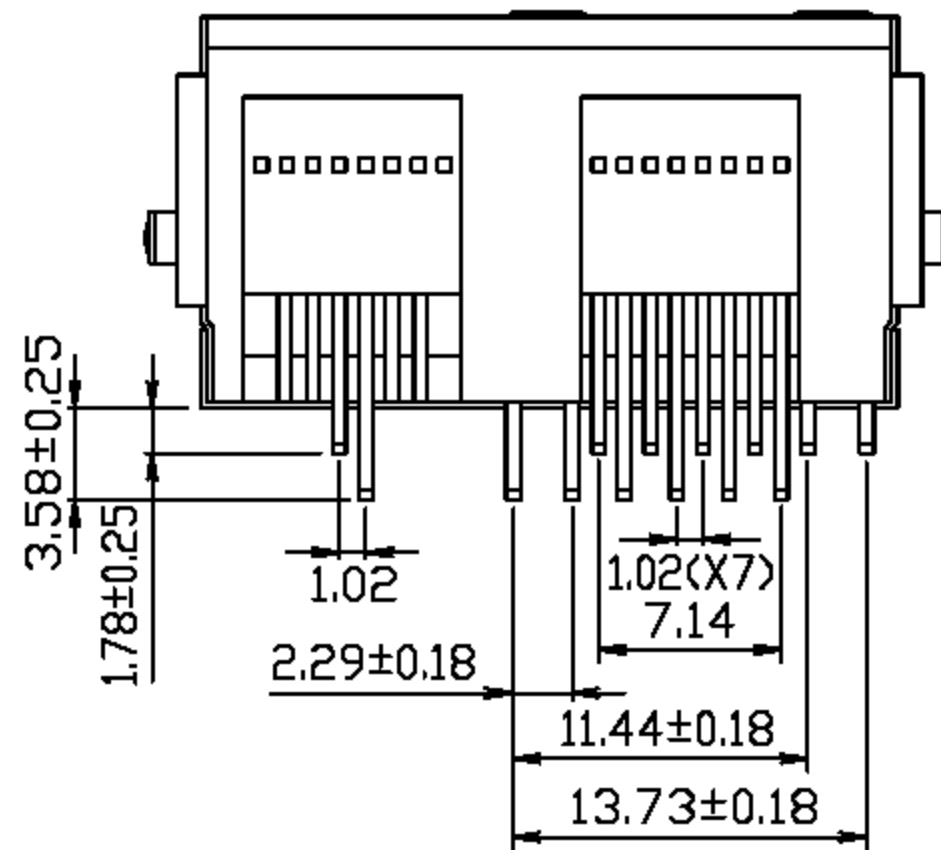
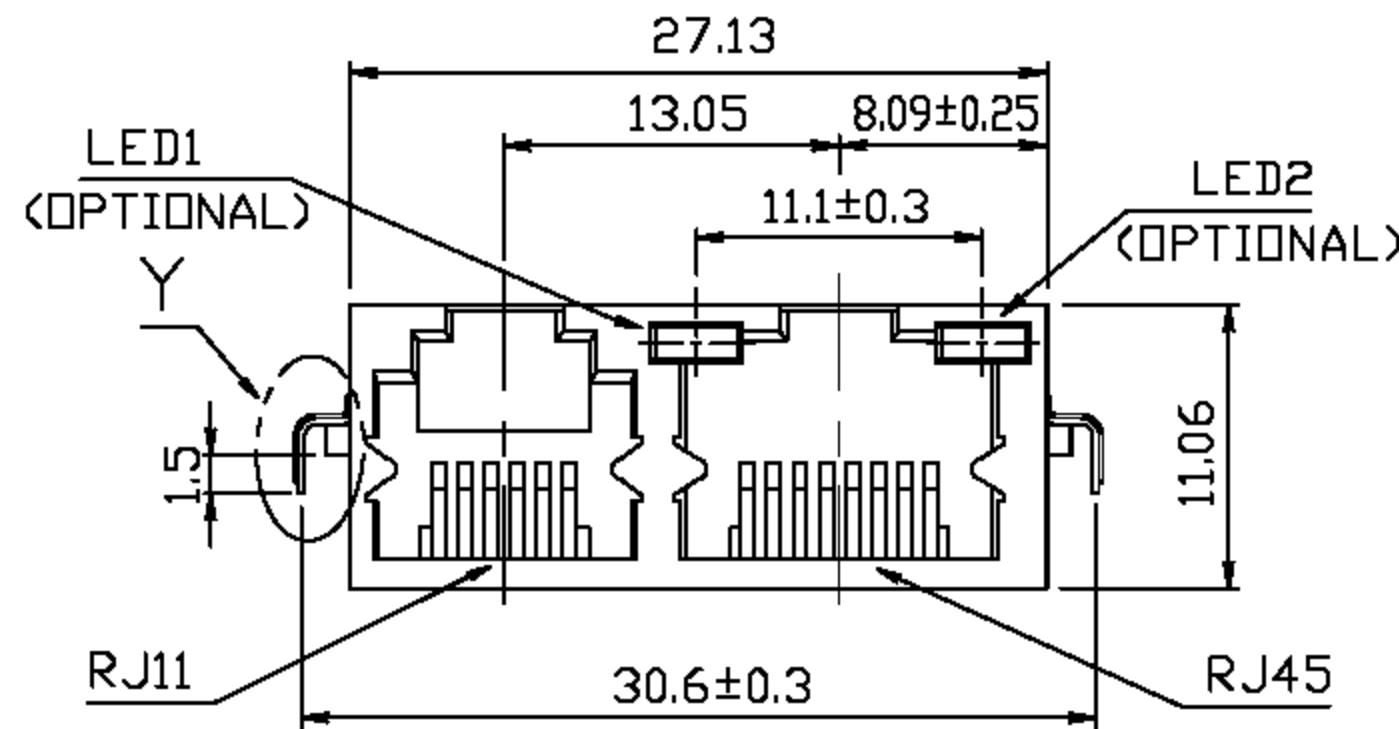
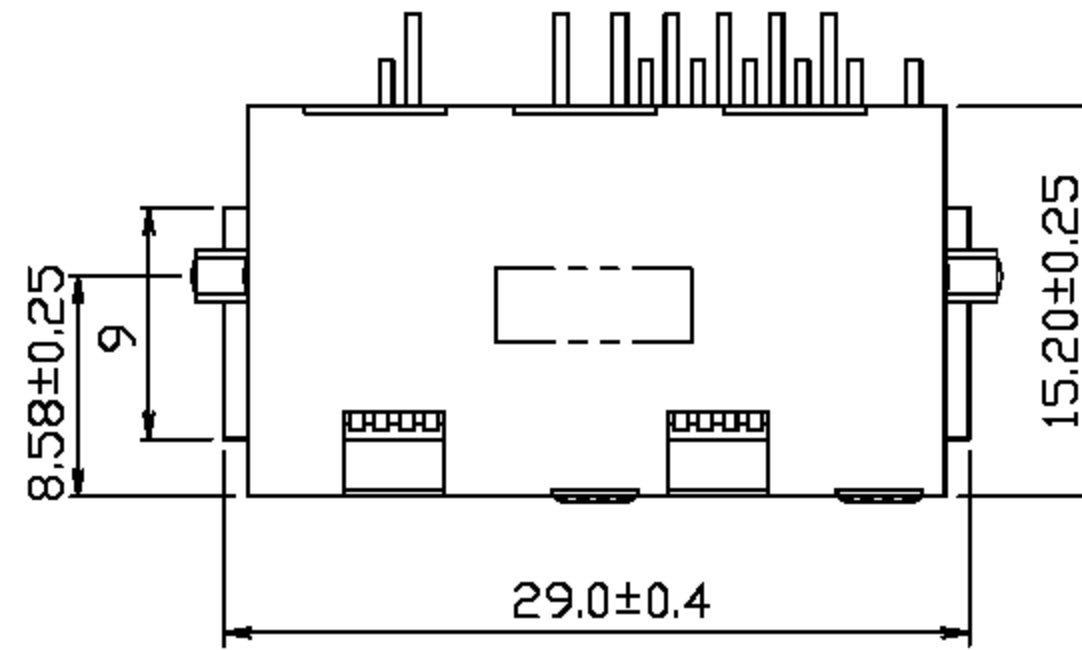


DETAIL W



DETAIL Y



PCB LAYOUT
Ref.

DO NOT SCALE DRAWING		TOLERANCES UNLESS OTHERWISE NOTED		INCH	MM	DR. <i>S.J.CHENG</i>	DATE APR-14 '06	淮洋有限公司 HUI YANG CO., LTD. TEL : 886-2-8261-8986 FAX : 886-2-8261-1885 www.hy1688.com.tw 236新北市土城區中央路二段191號10樓之5				
THIRD ANGLE PROJECTION		LINEAR	MM INCH	00 ± .01 000 ± .005 0000 ± .002	0.0 ± 0.25 0.00 ± 0.13 0.000 ± 0.05	CK'D <i>M.CHANG</i>	APR-14 '06	TITLE MODULAR JACK RJ45 & RJ11, SIDE BY SIDE DIP TYPE, WITH LED'S				
MM INCH	ANGLE ± 0° 30'	RADII		+ 0.40 - 0.15		APP'D <i>W.J.YANG</i>	APR-14 '06	SCALE	SIZE	DWG.NO. 977501	REV. 3	SHEET 1