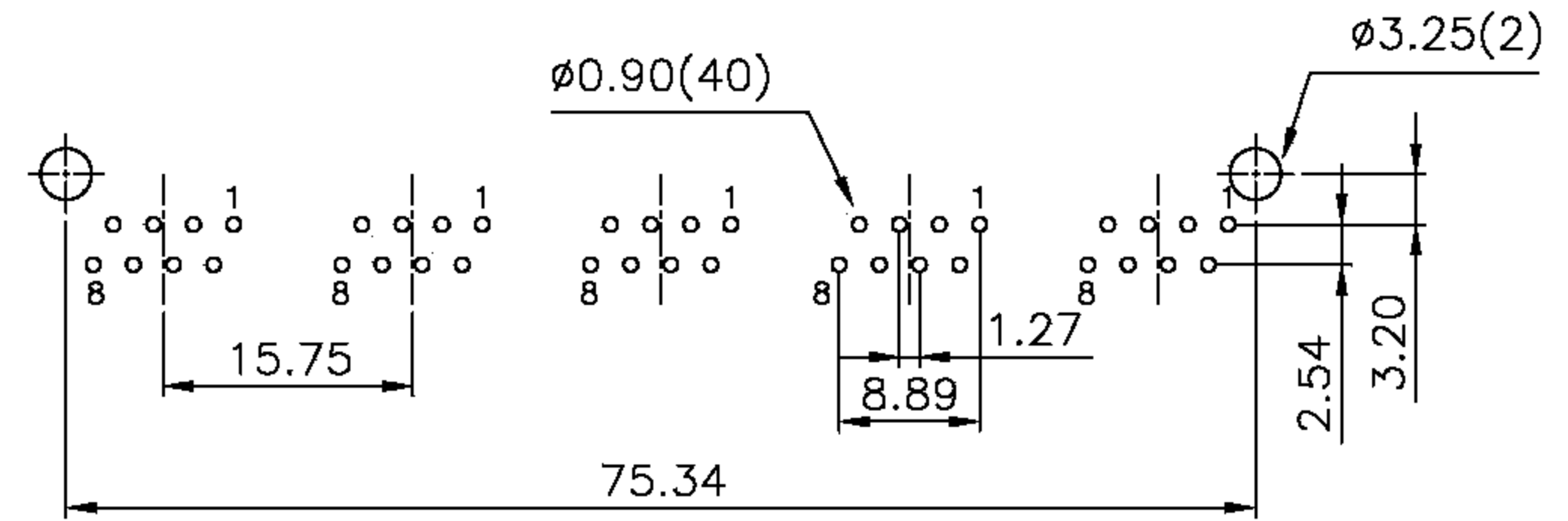
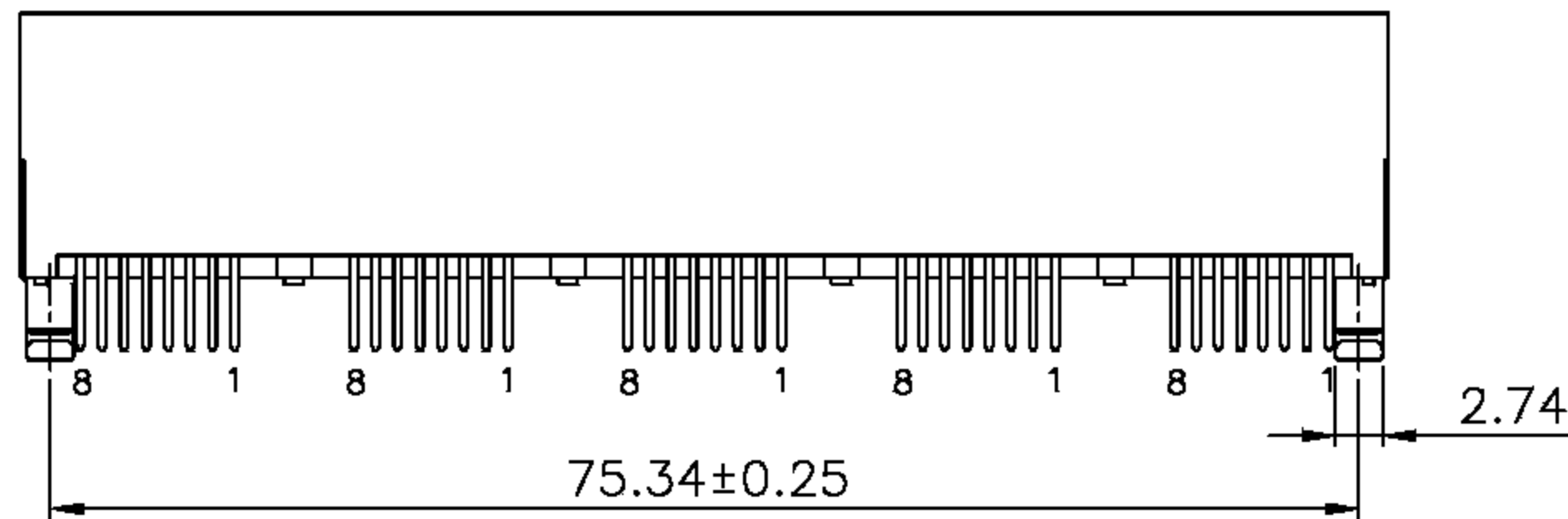
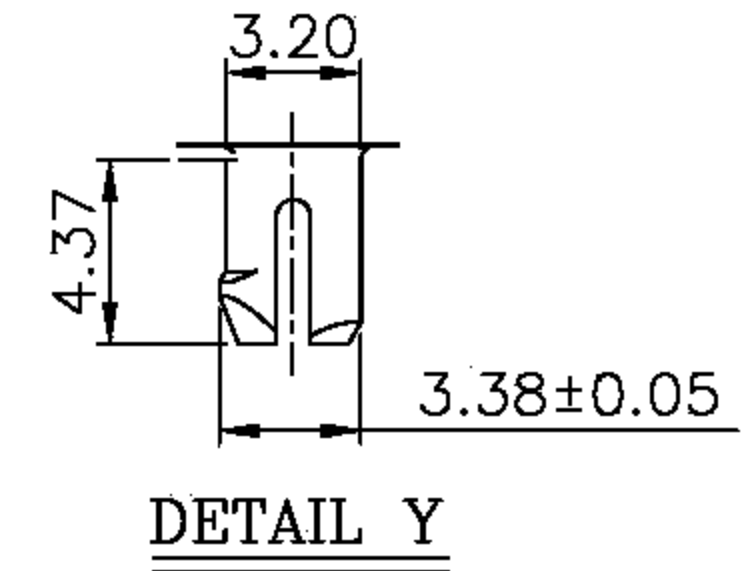
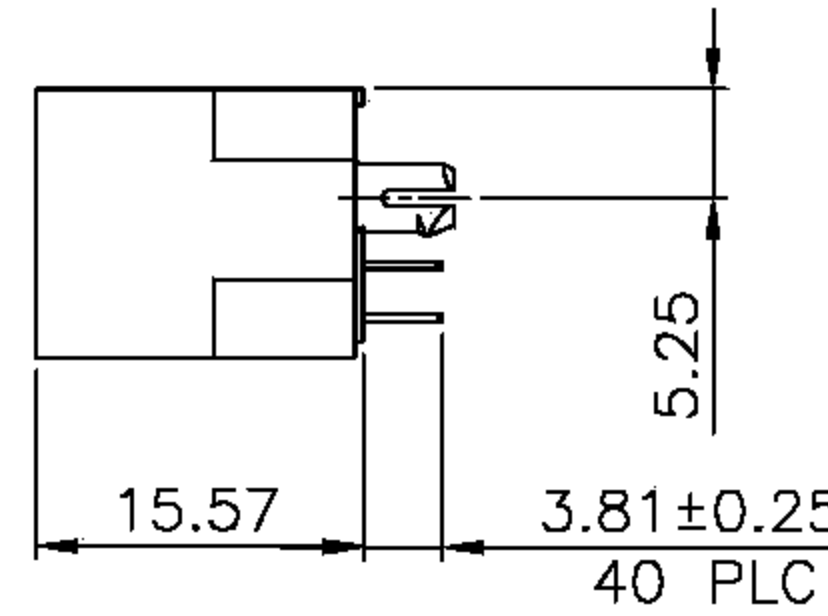
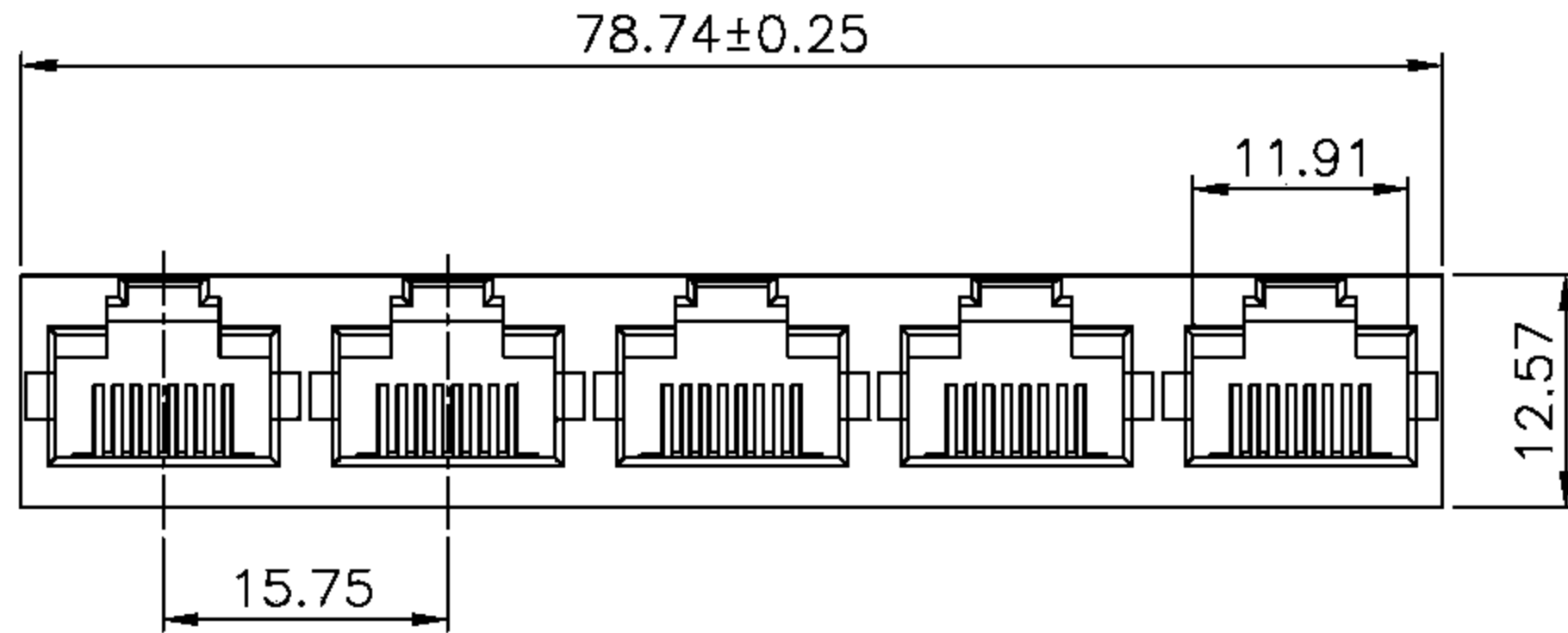


RoHS Compliance



PCB LAYOUT

Ref.

DO NOT SCALE DRAWING	TOLERANCES UNLESS OTHERWISE NOTED	INCH	MM	DR. <i>C.IAN.CI.LUO</i>	DATE AUG-07 '08
THIRD ANGLE PROJECTION	LINEAR MM INCH	00 ± 000 ± 0000 ±	0.0 ± 0.25 0.00 ± 0.20 0.000 ± 0.10	CK'D <i>M.CHANG</i>	AUG-07 '08
MM INCH	ANGLE ± 0° 30'	RADII	+ 0.40 - 0.15	APP'D <i>W.J.YANG</i>	AUG-08 '08

淮洋有限公司 HUIYANG CO.,LTD.
 TEL : 886-2-8261-8986 FAX : 886-2-8261-1885
 www.hy1688.com.tw 236新北市土城區中央路二段191號10樓之5

TITLE		RJ45, 1X5 PORTS, WITHOUT LED'S, TOP ENTRY PCB JACK	
SCALE	SIZE	DWG.NO.	REV. SHEET
		977403	3 1