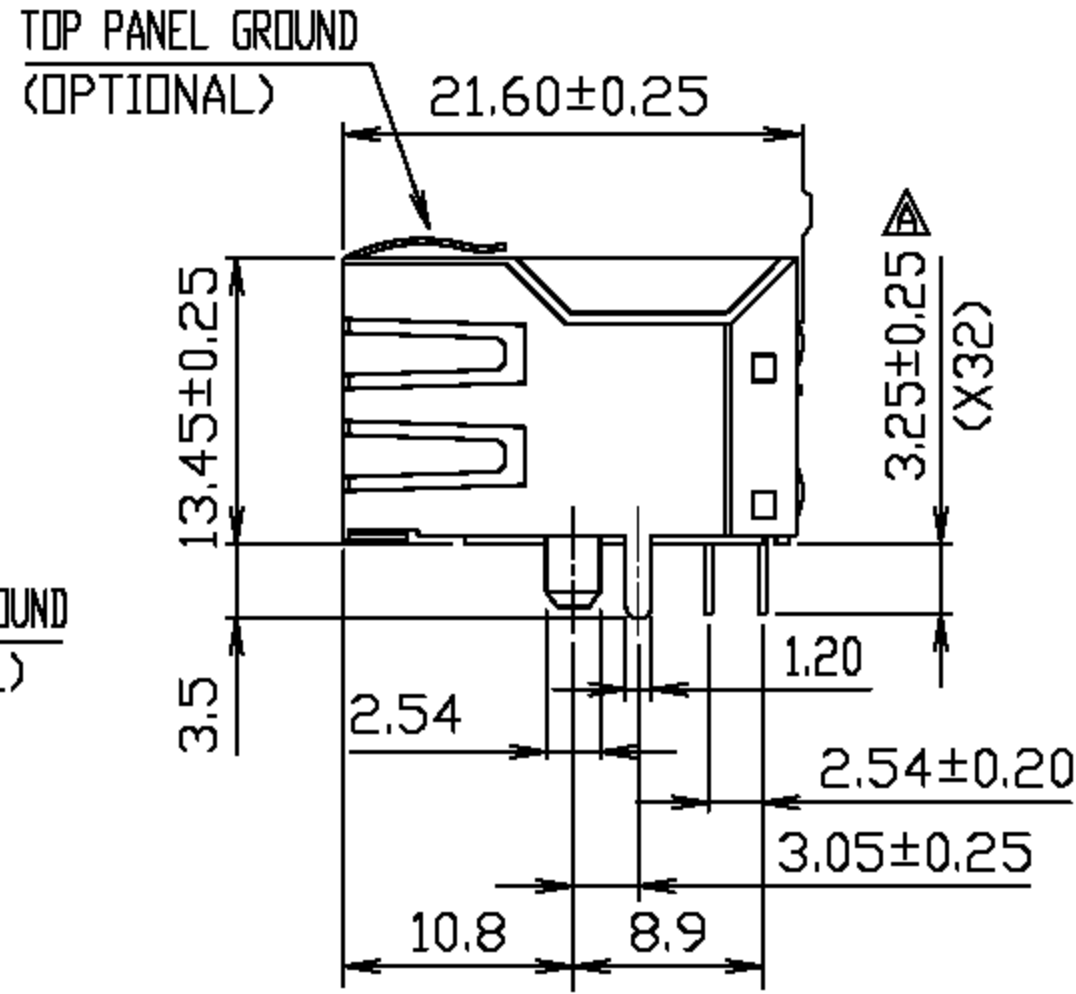
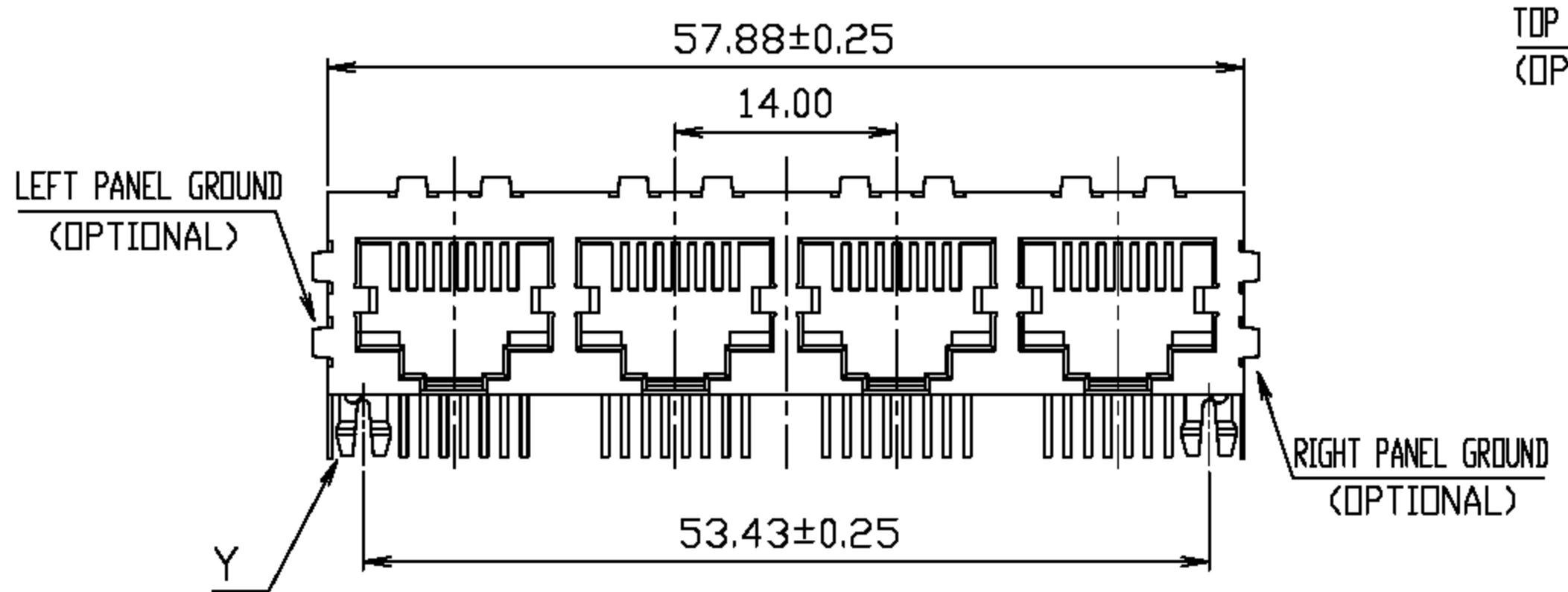
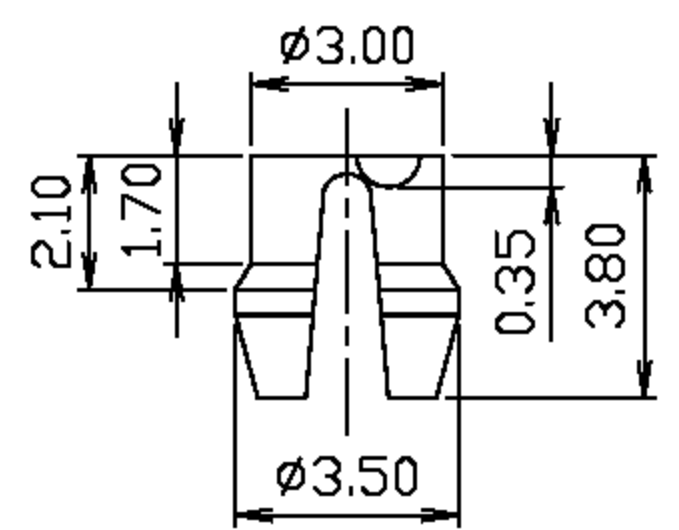
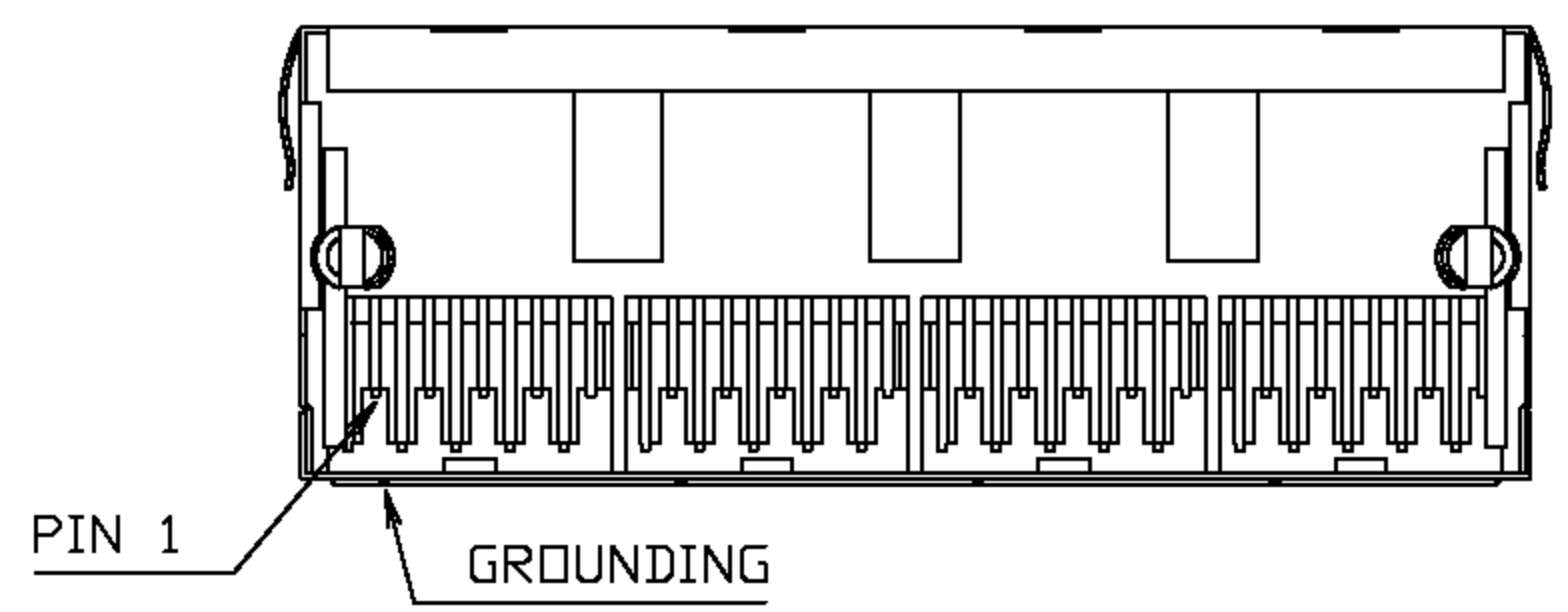


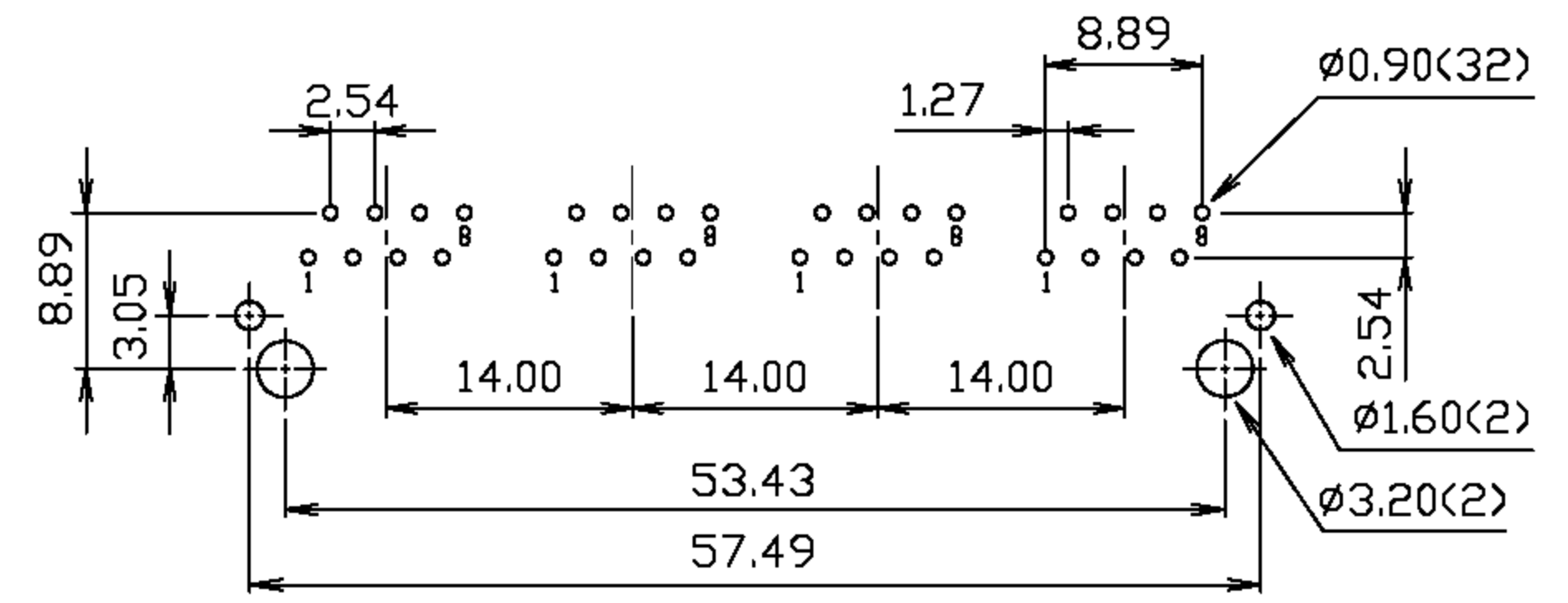
PRODUCT NO.	HOUSING P/N	SUB-ASSEMBLY P/N	SHIELD P/N	SHIELD LOGO	REMARK
9769-882X-400D-TI	76175-001	5054-881X-TI	8230-400DN		
9769-882X-430D-TI	76175-001	5054-881X-TI	8230-430DN		
9769-882X-430D-TE	76175-001	5054-881X-TE	8230-430DN		
9769-882X-430D-TQ	76175-001	5054-881X-TQ	8230-430DN		



REVISIONS			
LTR	DESCRIPTION	DATE	APP
△	3.18±0.30	05/29/'04	CHANG



DETAIL Y



PCB LAYOUT

Ref.

DO NOT SCALE DRAWING	TOLERANCES UNLESS OTHERWISE NOTED	INCH	MM	DR. M.L.HUANG	DATE JUL-01 '04
THIRD ANGLE PROJECTION	LINEAR	$\frac{MM}{INCH}$	00 ± 000 ± 0000 ±	CK'D M.CHANG	JUL-01 '04
MM INCH	ANGLE ± 0° 30'	RADII	+ 0.40 - 0.15	APP'D W.J.YANG	JUL-02 '04

淮洋有限公司 HUI YANG CO., LTD. TEL : 886-2-8261-8986 FAX : 886-2-8261-1885 www.hy1688.com.tw 236新北市土城區中央路二段191號10樓之5					
TITLE 4PORTS, RJ45, SHIELDED, FLAT PIN WITH TRANSFORMER, SIDE ENTRY PCB JACK					
SCALE	SIZE	DWG.NO.	REV.	SHEET	
		976901	3	1	