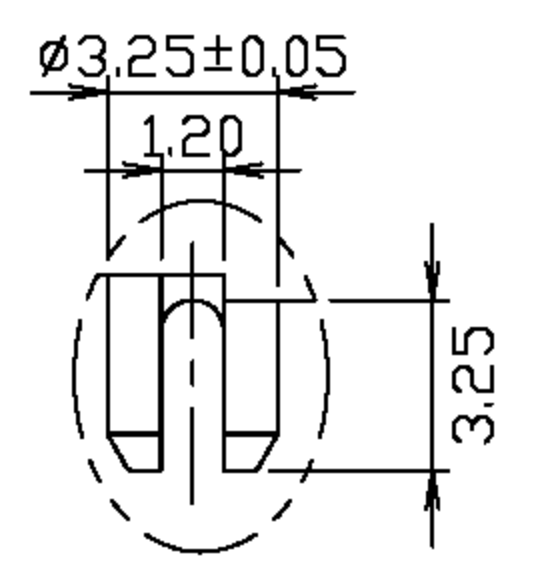
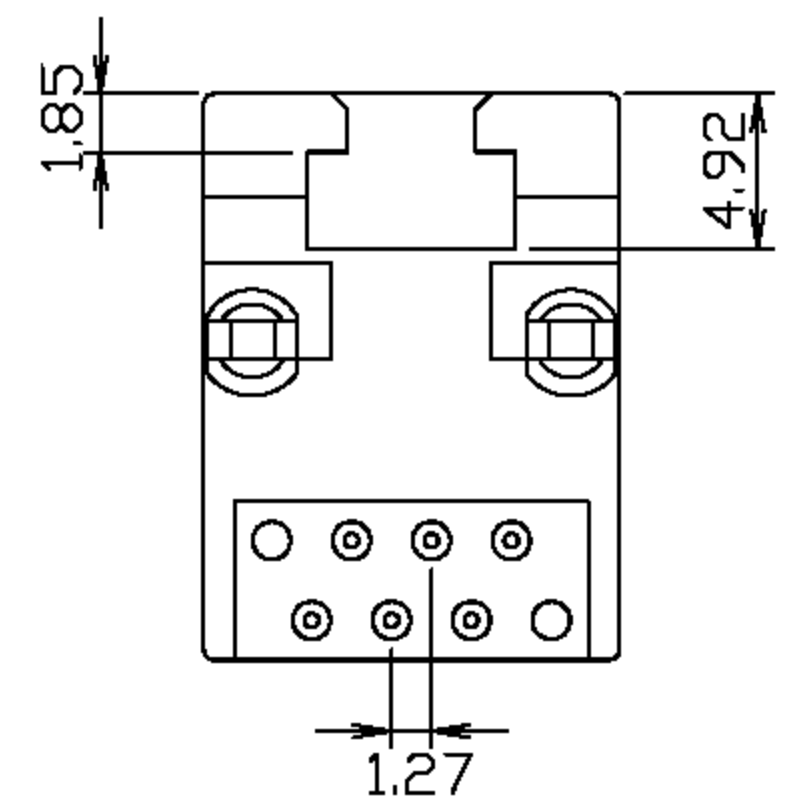
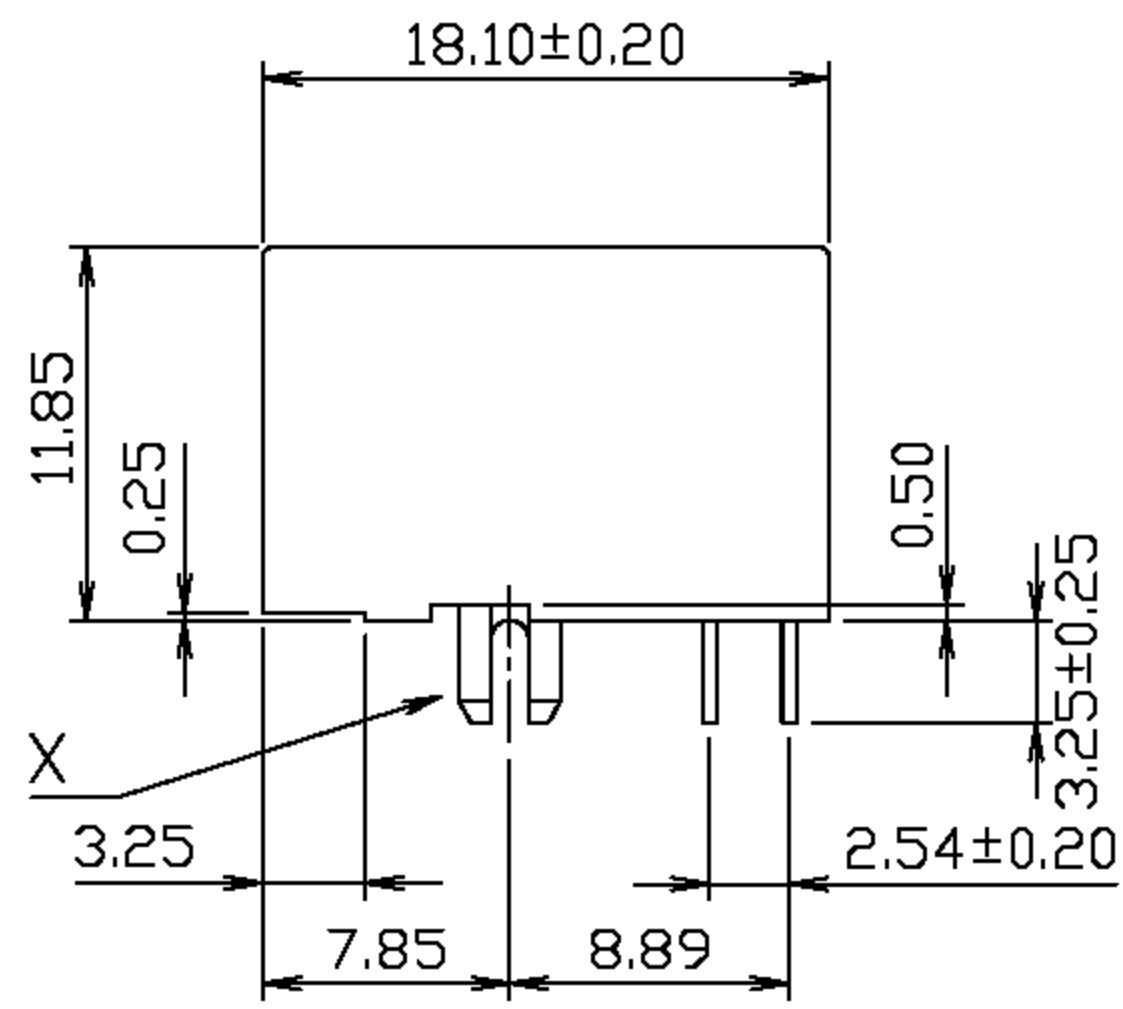
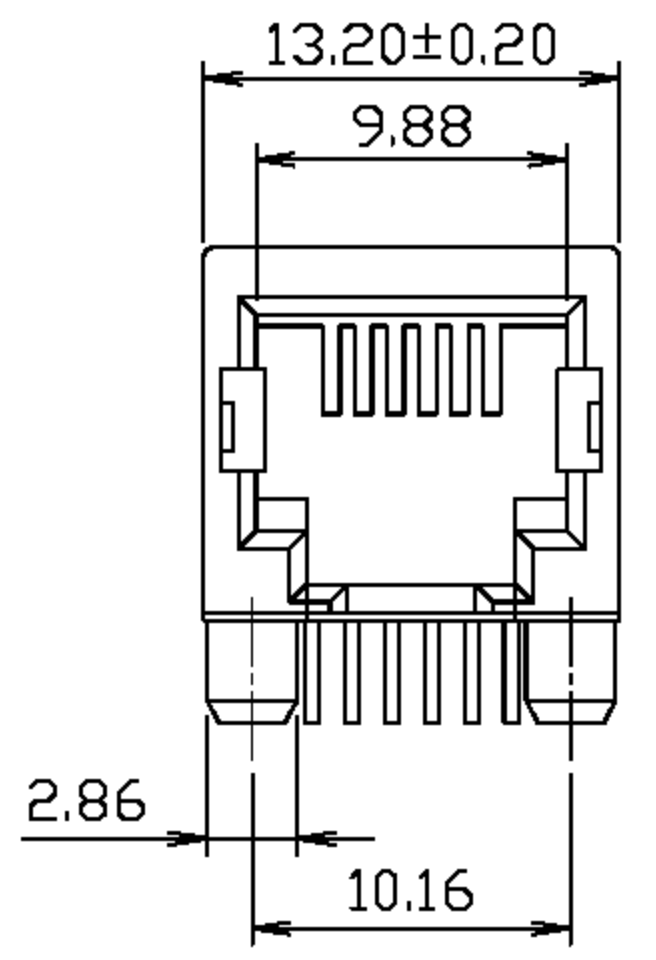
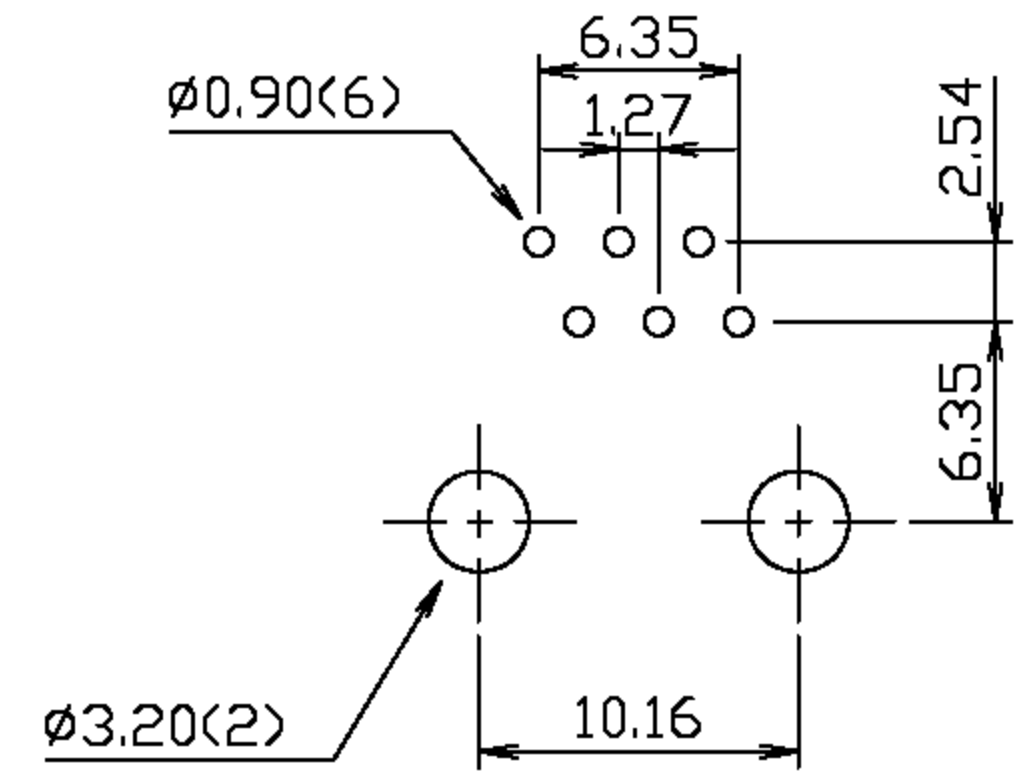


PRODUCT NO.	HOUSING P/N	SUB-ASS'Y P/N	LOGO	REMARK
9767-6X1X	76124-001	5046-6X1X		



**DETAIL X**



PC Board Layout

DO NOT SCALE DRAWING	TOLERANCES UNLESS OTHERWISE NOTED	INCH	MM	DR. <i>M.L.HUANG</i>	DATE JUL-23 '02
THIRD ANGLE PROJECTION	LINEAR $\frac{\text{MM}}{\text{INCH}}$	00 ± .01 000 ± .005 0000 ± .002	0.0 ± 0.25 0.00 ± 0.13 0.000 ± 0.05	CK'D <i>M.CHANG</i>	JUL-23 '02
MM INCH	ANGLE ± 0° 30'	RADII	+ 0.40 - 0.15	APP'D <i>W.J.YANG</i>	OCT-02 '02

淮洋有限公司 HUI YANG CO.,LTD. TEL : 886-2-8261-8986 FAX : 886-2-8261-1885 www.hy1688.com.tw 236新北市土城區中央路二段191號10樓之5			
TITLE		6POSITION SIDE ENTRY VERY LOW PROFILE, PCB JACK	
SCALE	SIZE	DWG.NO.	REV. SHEET
		976701	2 1