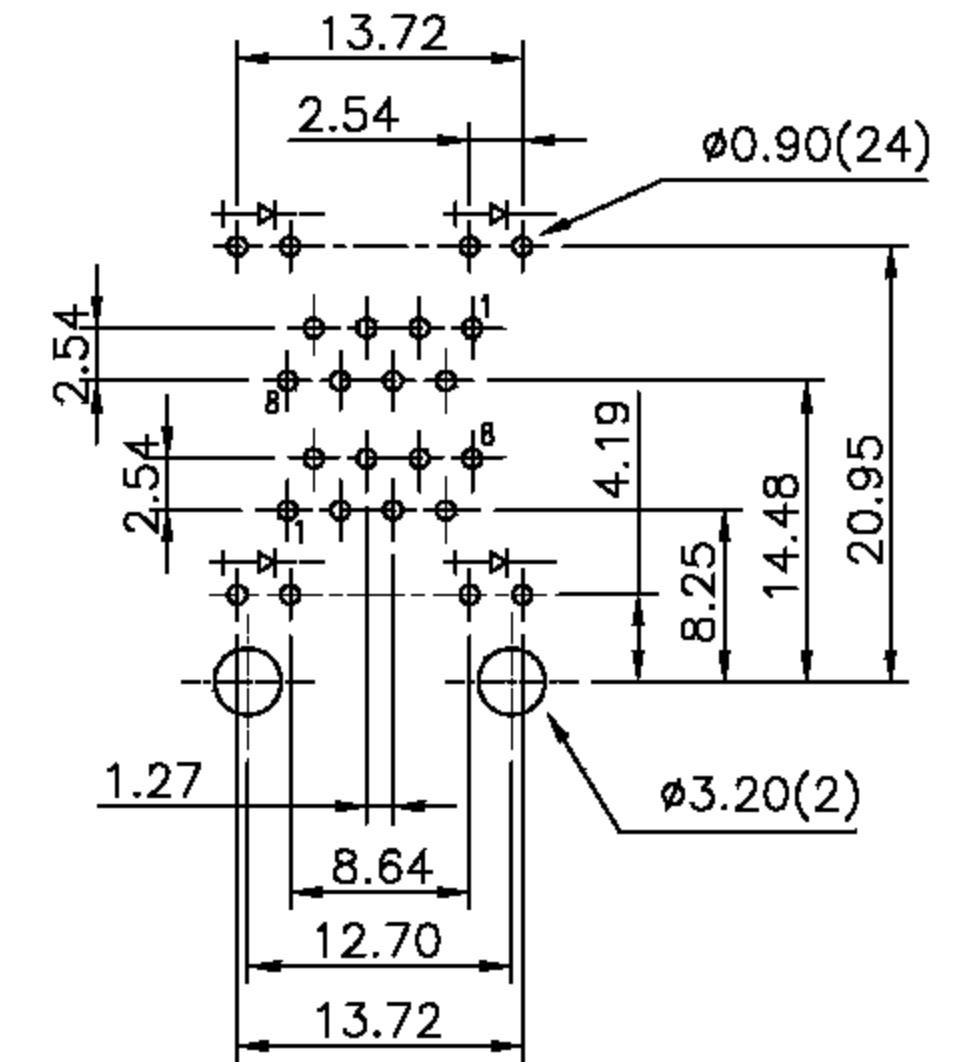
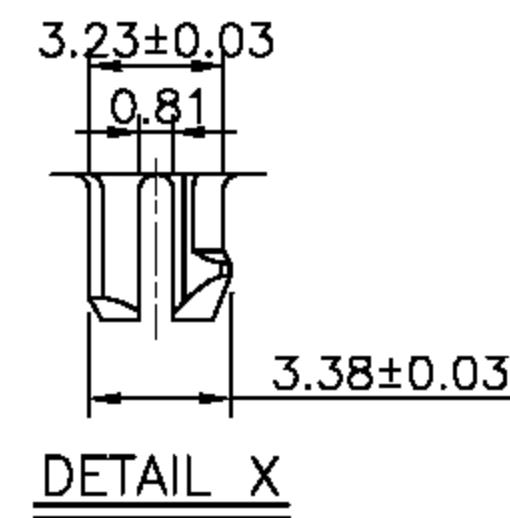
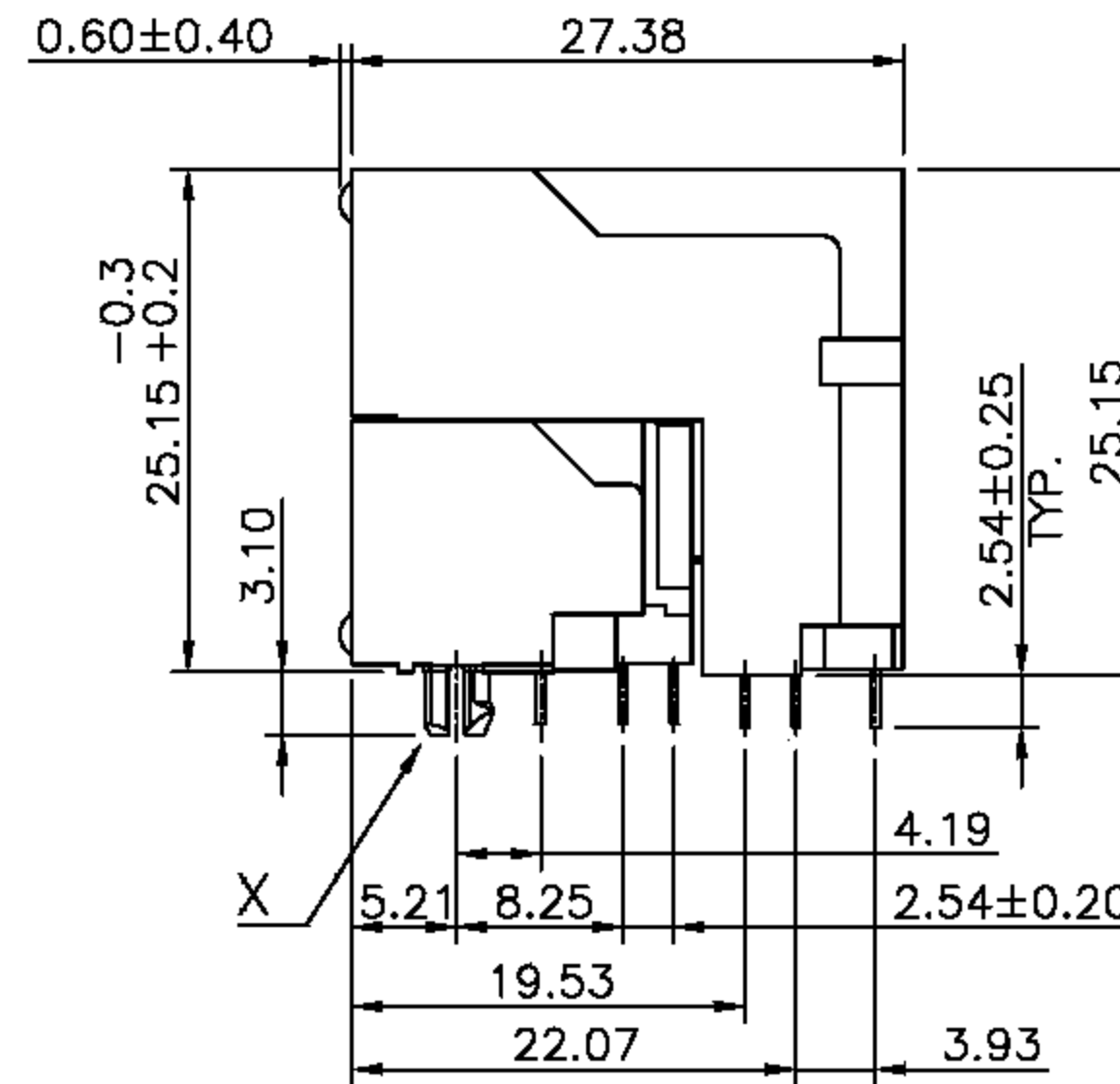
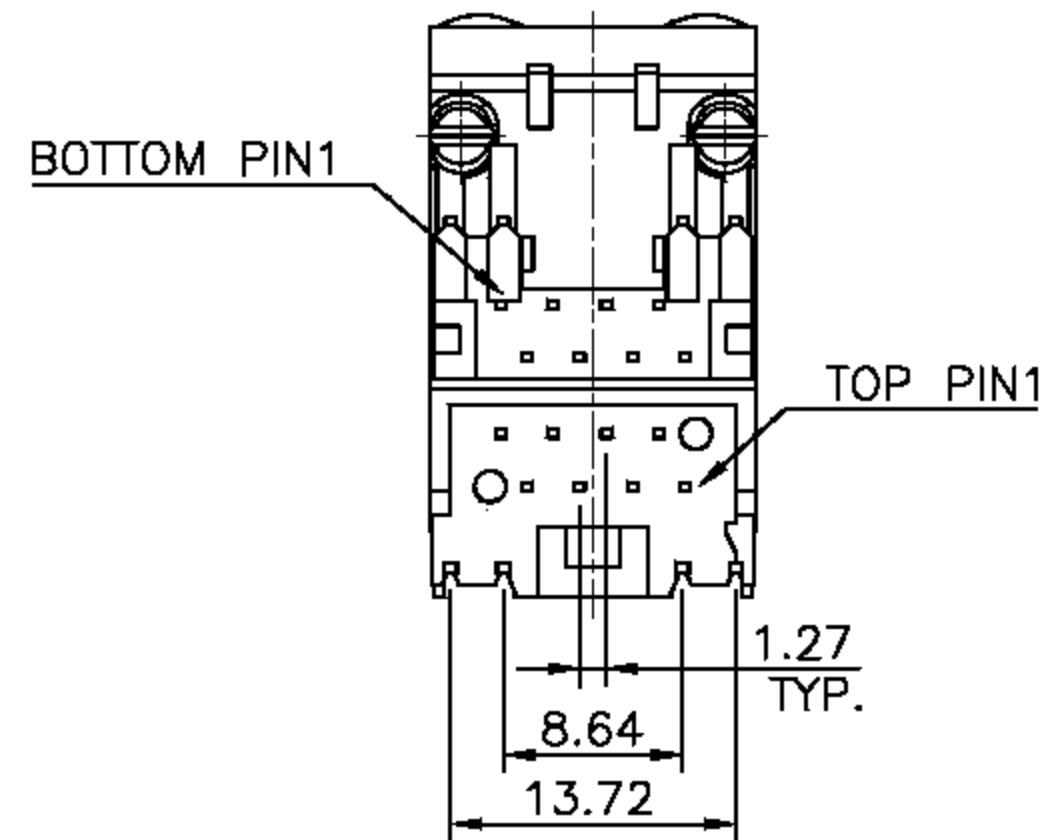
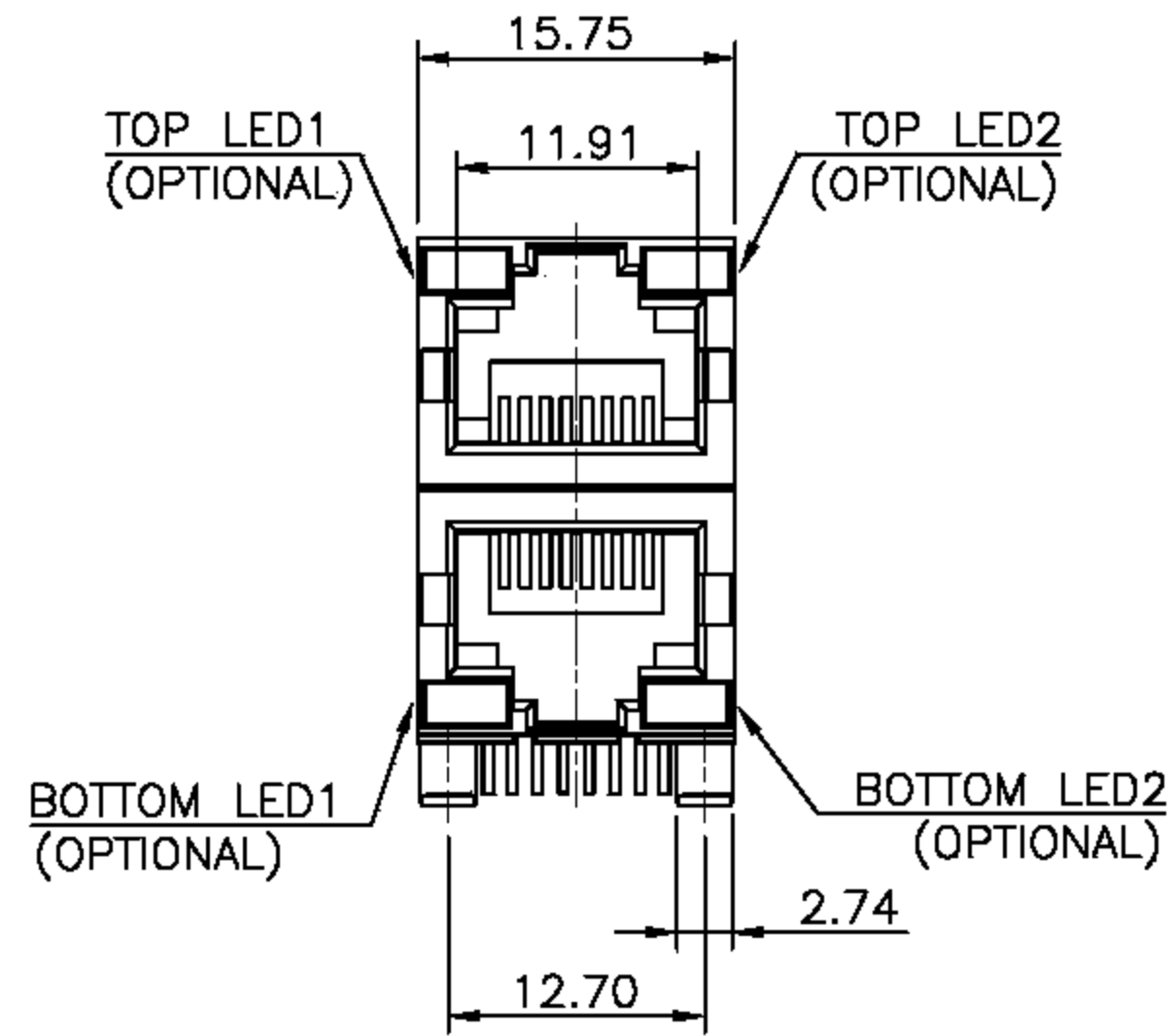


RoHS Compliance



PCB LAYOUT
Ref.

DO NOT SCALE DRAWING		TOLERANCES UNLESS OTHERWISE NOTED		INCH	MM	DR. M.L.HUANG	DATE JUN-19 '08	淮洋有限公司 HUI YANG CO., LTD. TEL : 886-2-8261-8986 FAX : 886-2-8261-1885 www.hy1688.com.tw 236新北市土城區中央路二段191號10樓之5				
THIRD ANGLE PROJECTION		LINEAR	$\frac{\text{MM}}{\text{INCH}}$	00 ± 000 ± 0000 ±	0.0 ± 0.25 0.00 ± 0.20 0.000 ± 0.10	CK'D M.CHANG	JUN-19 '08	TITLE 2X1 STACKABLE MODULAR JACK WITH LED'S, WITHOUT SHIELDED				
MM INCH	ANGLE ± 0° 30'	RADII			+ 0.40 - 0.15	APP'D W.J.YANG	JUN-20 '08	SCALE	SIZE	DWG.NO. 976617	REV. 3	SHEET 1