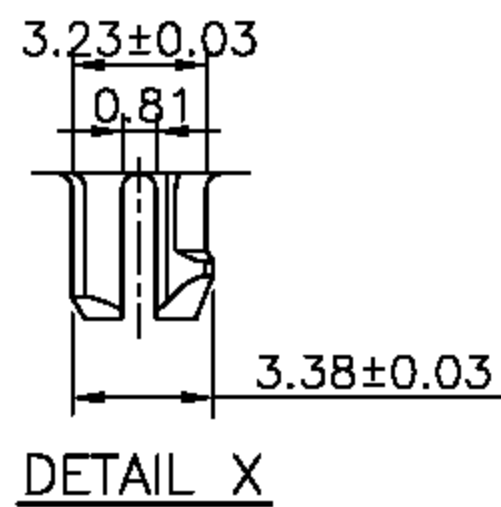


PCB LAYOUT

Ref.



DO NOT SCALE DRAWING	TOLERANCES UNLESS OTHERWISE NOTED	INCH	MM	DR. <i>M.L.HUANG</i>	DATE FEB-16 '05
THIRD ANGLE PROJECTION	LINEAR	$00 \pm$ $000 \pm$ $0000 \pm$	0.0 ± 0.25 0.00 ± 0.20 0.000 ± 0.10	CK'D <i>M.CHANG</i>	FEB-16 '05
MM INCH	ANGLE $\pm 0^\circ 30'$	RADII	$+0.40$ -0.15	APP'D <i>W.J.YANG</i>	FEB-17 '05

淮洋有限公司 HUIYANG CO.,LTD.

TEL : 886-2-8261-8986 FAX : 886-2-8261-1885
www.hy1688.com.tw 236新北市土城區中央路二段191號10樓之5

TITLE 2X4 STACKABLE MODULAR JACK WITH LED'S, WITHOUT SHIELDED

SCALE	SIZE	DWG.NO.	REV.	SHEET
		976612	2	1