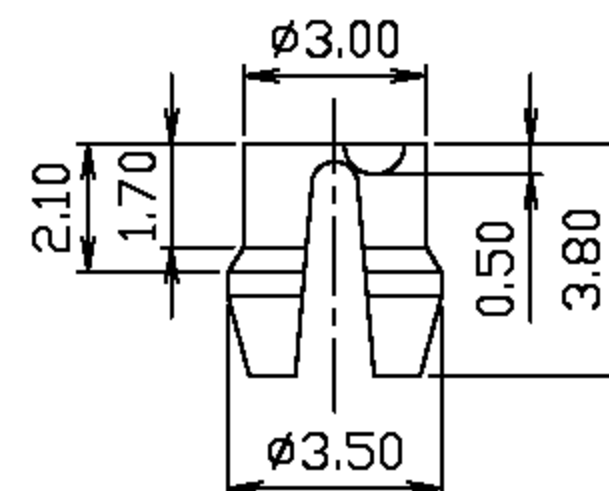
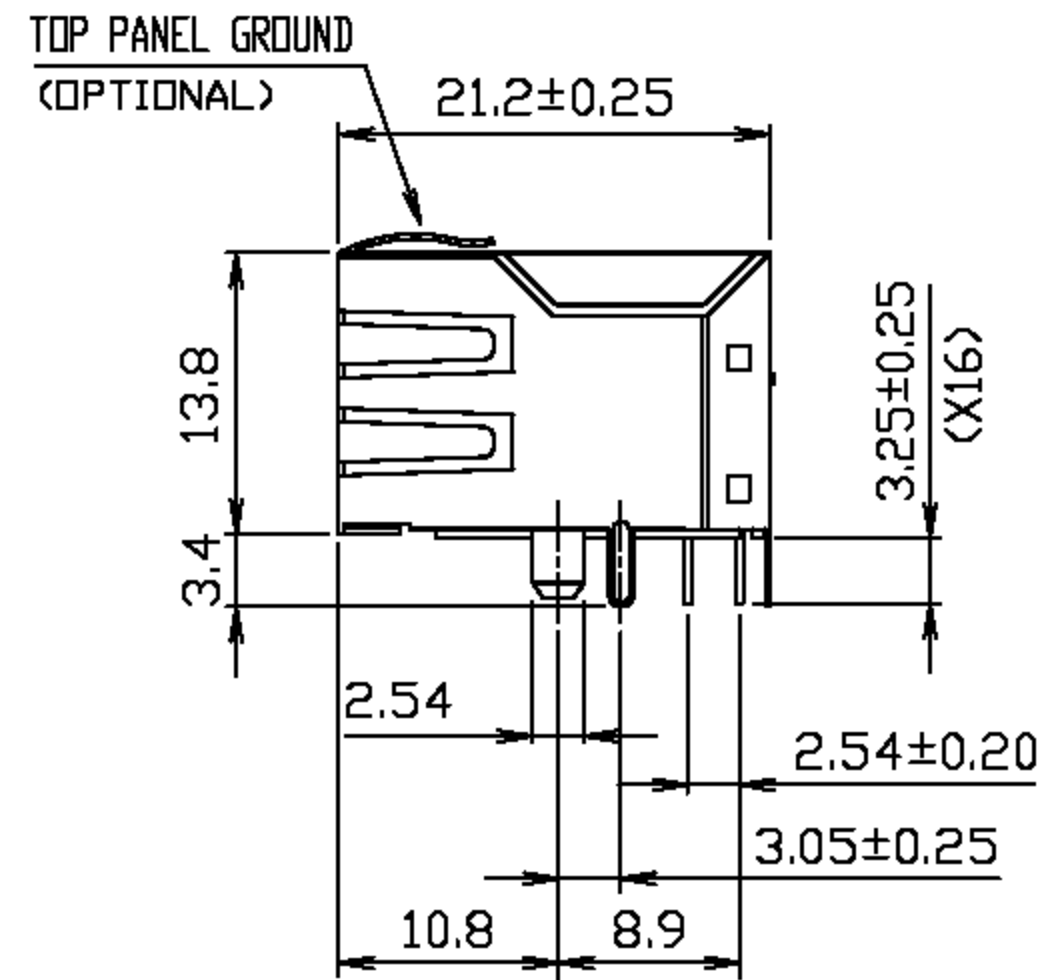
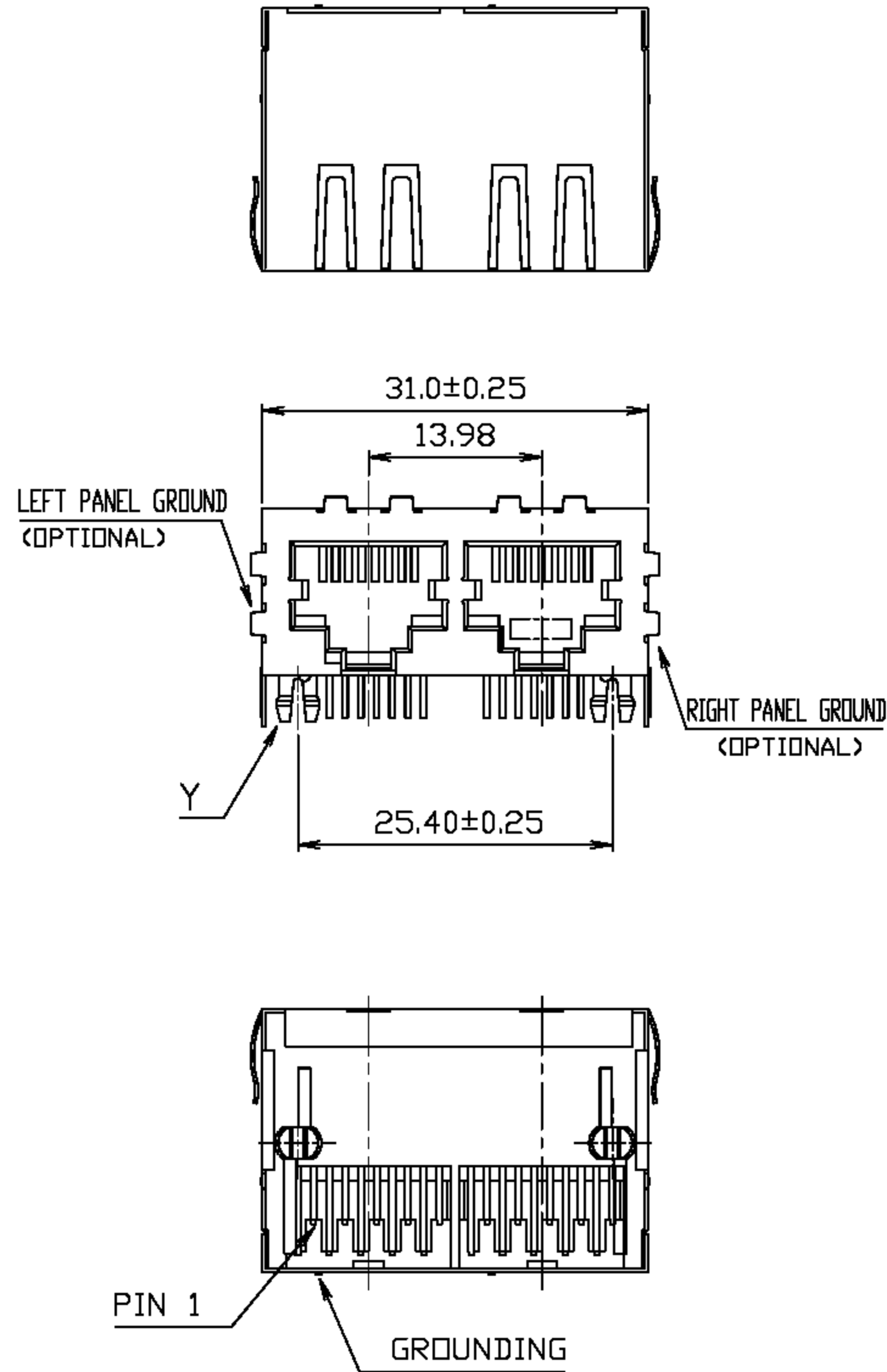
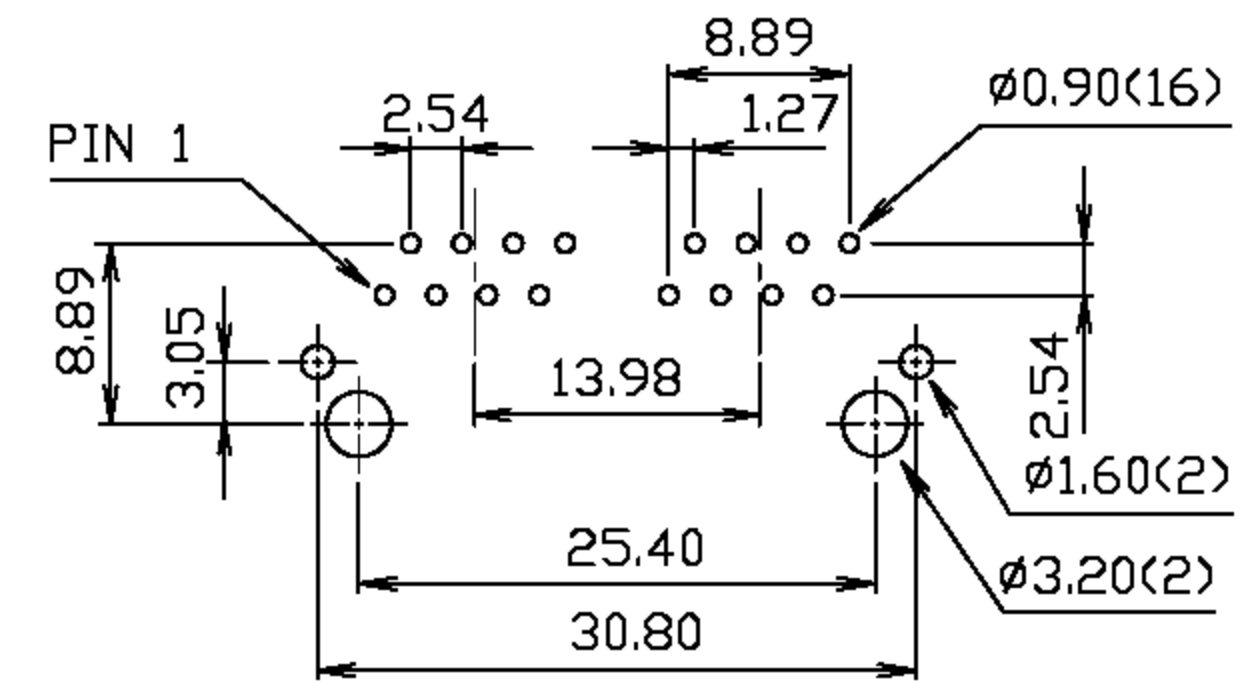


RoHS Compliance



DETAIL Y



PCB LAYOUT
Ref.

DO NOT SCALE DRAWING	TOLERANCES UNLESS OTHERWISE NOTED	INCH	MM	DR. M.L.HUANG	DATE JUL-24 '09	淮洋有限公司 HUI YANG CO.,LTD. TEL : 886-2-8261-8986 FAX : 886-2-8261-1885 www.hy1688.com.tw 236新北市土城區中央路二段191號10樓之5		
 THIRD ANGLE PROJECTION	LINEAR $\frac{\text{MM}}{\text{INCH}}$	00 ± 000 ± 0000 ±	0.0 ± 0.25 0.00 ± 0.20 0.000 ± 0.10	CK'D M.CHANG	JUL-24 '09	TITLE 2PORTS, RJ45, SHIELDED, FLAT PIN WITH TRANSFORMER, SIDE ENTRY PCB JACK		
MM INCH	ANGLE ± 0° 30'	RADII	+ 0.40 - 0.15	APP'D W.J.YANG	JUL-25 '09	SCALE SIZE DWG.NO. 975905	REV. 2	SHEET 1