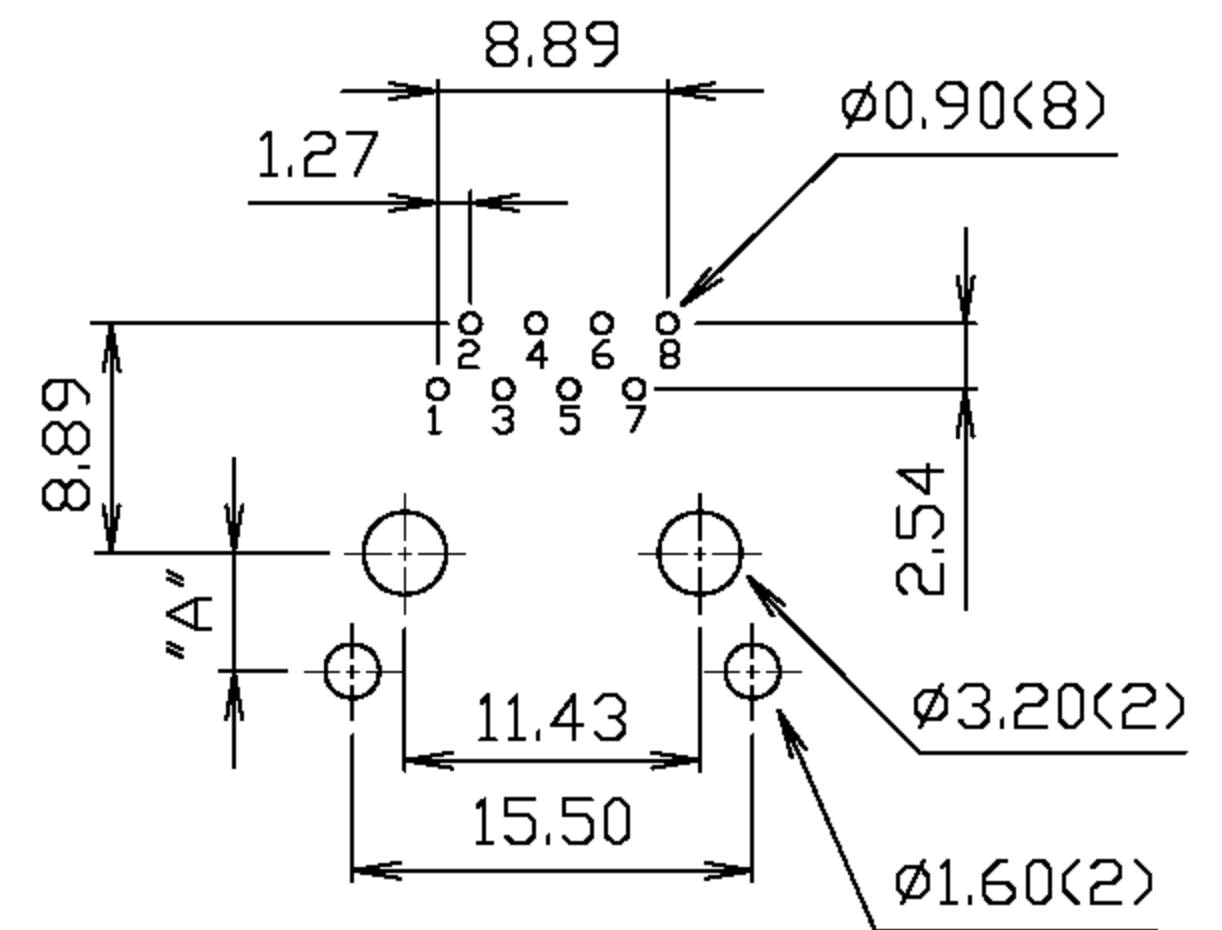
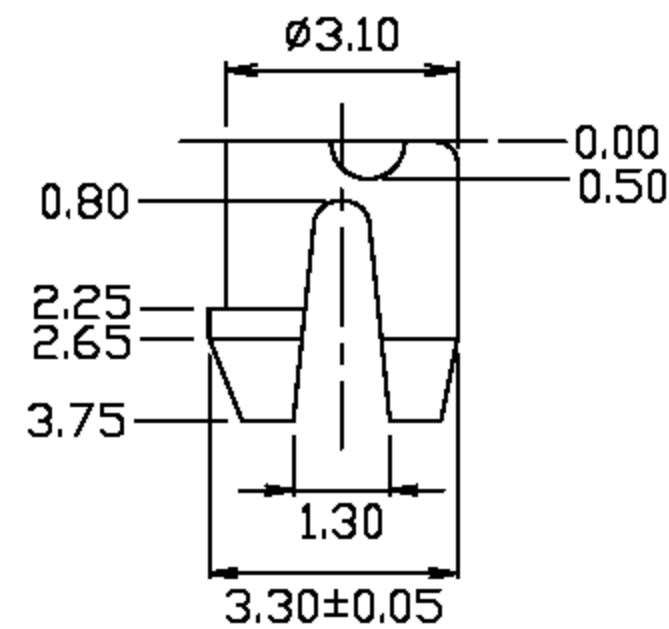


REVISIONS			
LTR	DESCRIPTION	DATE	APP
△	3.40±0.25	05/29/'04	CHANG



淮洋有限公司 HUI YANG CO., LTD.

TEL : 886-2-8261-8986 FAX : 886-2-8261-1885

www.hy1688.com.tw 236新北市土城區中央路二段191號10樓之5

TITLE SINGLE PORT, RJ45, SHIELDED, FLAT PIN WITH TRANSFORMER, SIDE ENTRY PCB JACK

SCALE	SIZE	DWG.NO.	REV.	SHEET
		975901	7	1

DO NOT SCALE DRAWING

TOLERANCES UNLESS OTHERWISE NOTED

INCH

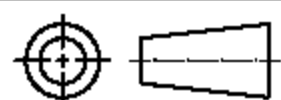
MM

DR.

M.L.HUANG

DATE

MAY-29 '04



THIRD ANGLE PROJECTION

LINEAR $\frac{\text{MM}}{\text{INCH}}$

00 ± .01
000 ± .005
0000 ± .002

0.0 ± 0.25
0.00 ± 0.13
0.000 ± 0.05

CK'D

M.CHANG

MAY-29 '04

MM
INCH

ANGLE ± 0° 30'

RADII

+ 0.40
- 0.15

APP'D

W.J.YANG

MAY-29 '04