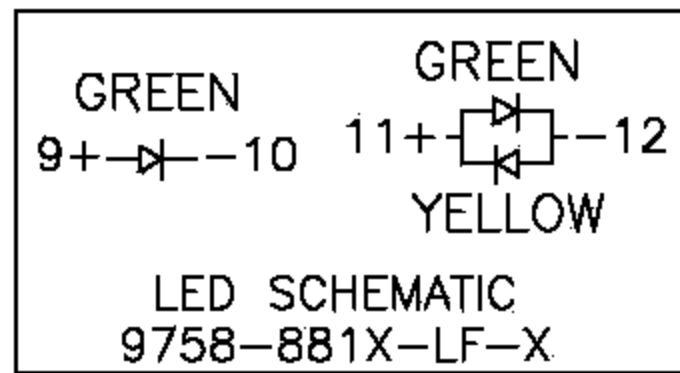
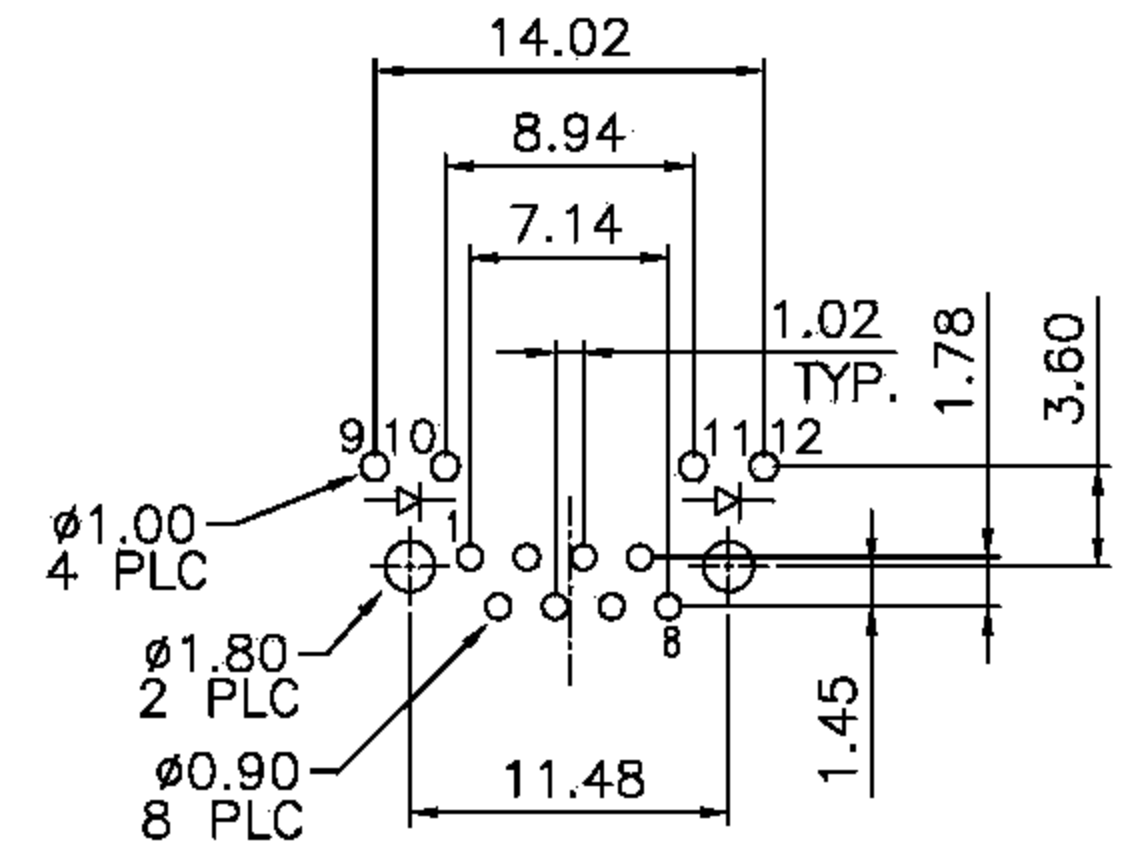
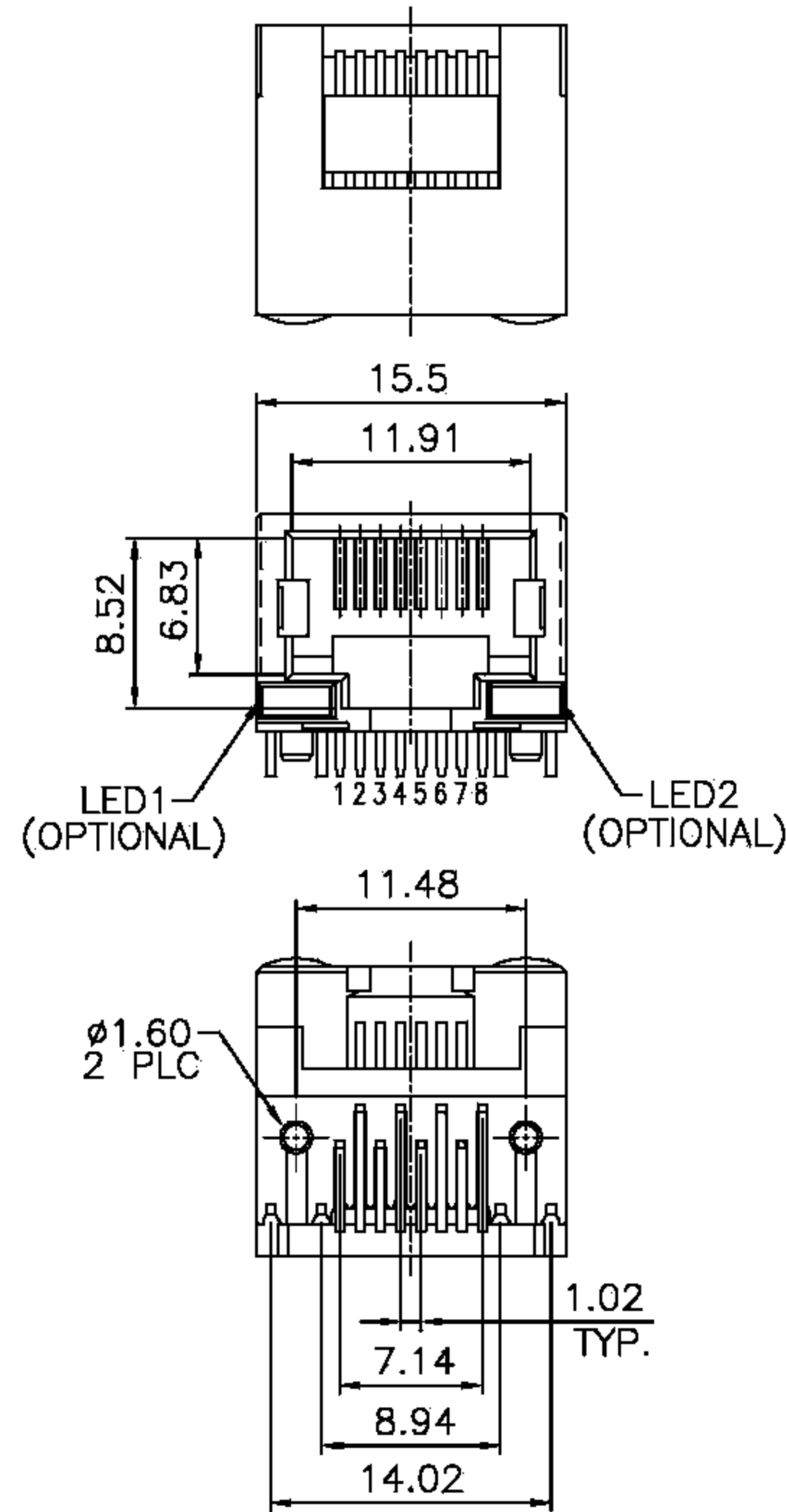
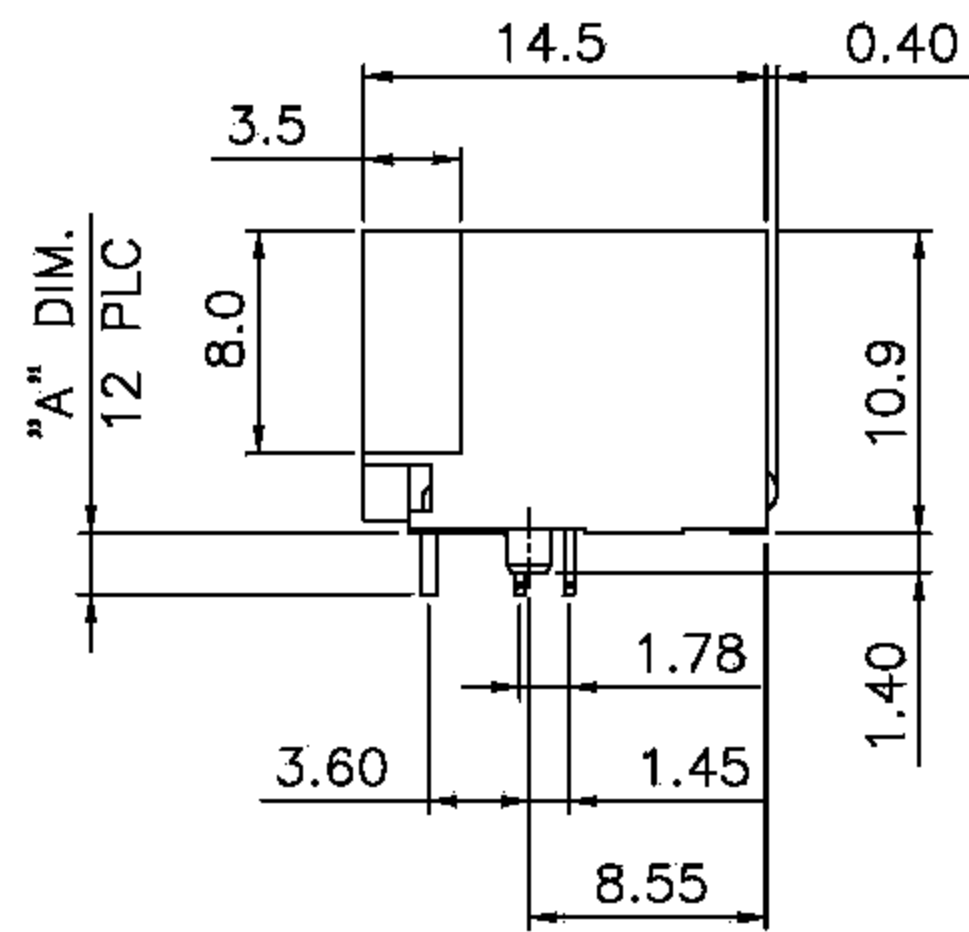


RoHS Compliance



PCB LAYOUT
Ref.

DO NOT SCALE DRAWING	TOLERANCES UNLESS OTHERWISE NOTED	INCH	MM	DR. <i>CIAN.CI.LUO</i>	DATE MAR-08 '10	淮洋有限公司 HUI YANG CO., LTD. TEL : 886-2-8261-8986 FAX : 886-2-8261-1885 www.hy1688.com.tw 236 新北市土城區中央路二段191號10樓之5	
THIRD ANGLE PROJECTION	LINEAR $\frac{\text{MM}}{\text{INCH}}$	00 ± 000 ± 0000 ±	0.0 ± 0.25 0.00 ± 0.20 0.000 ± 0.10	CK'D <i>M.CHANG</i>	MAR-08 '10	TITLE RJ45 RECEPTACLE CONNECTOR	
MM INCH	ANGLE ± 0° 30'	RADII	+ 0.40 - 0.15	APP'D <i>W.J.YANG</i>	MAR-09 '10	SCALE SIZE DWG.NO. 975810	REV. SHEET 2 1