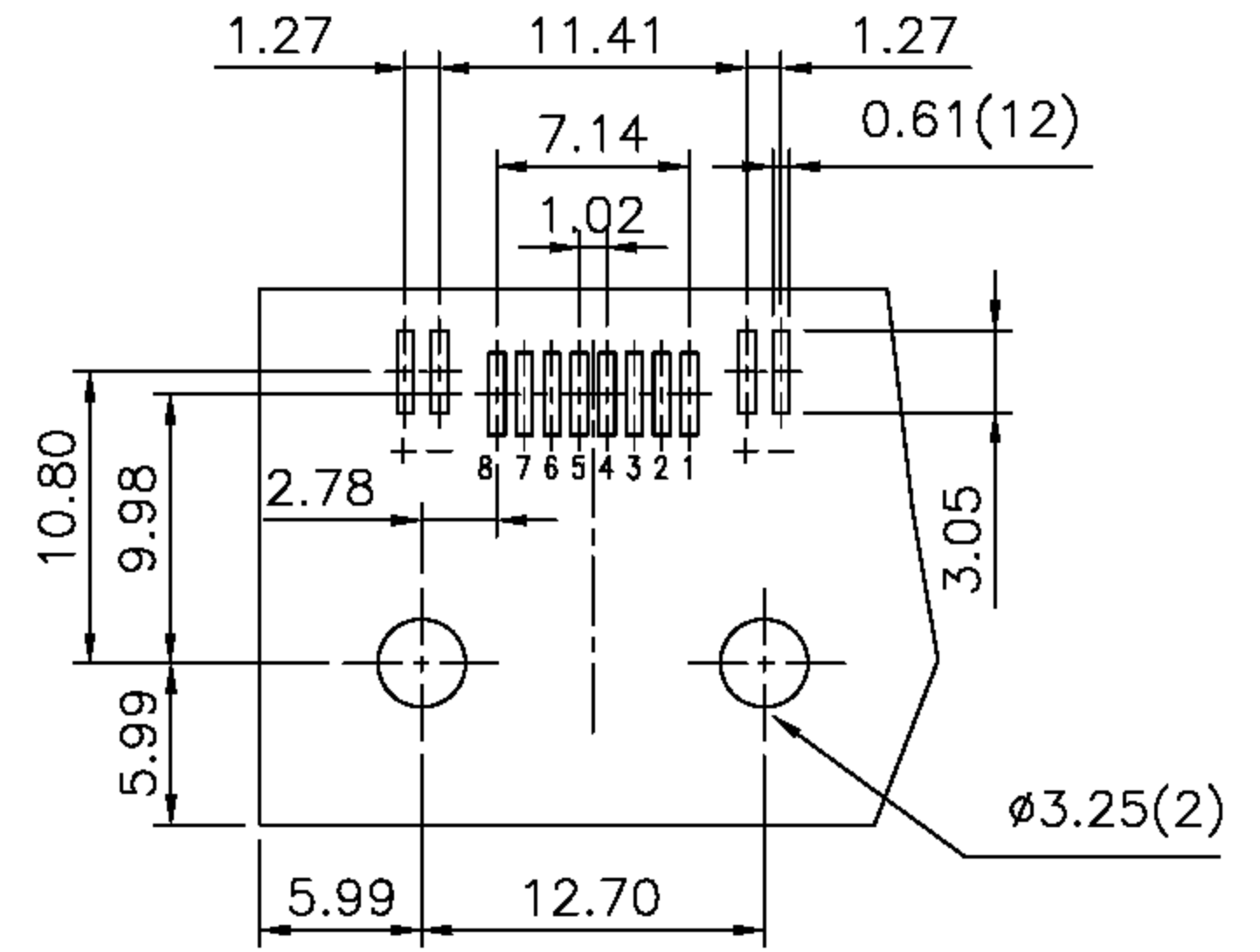
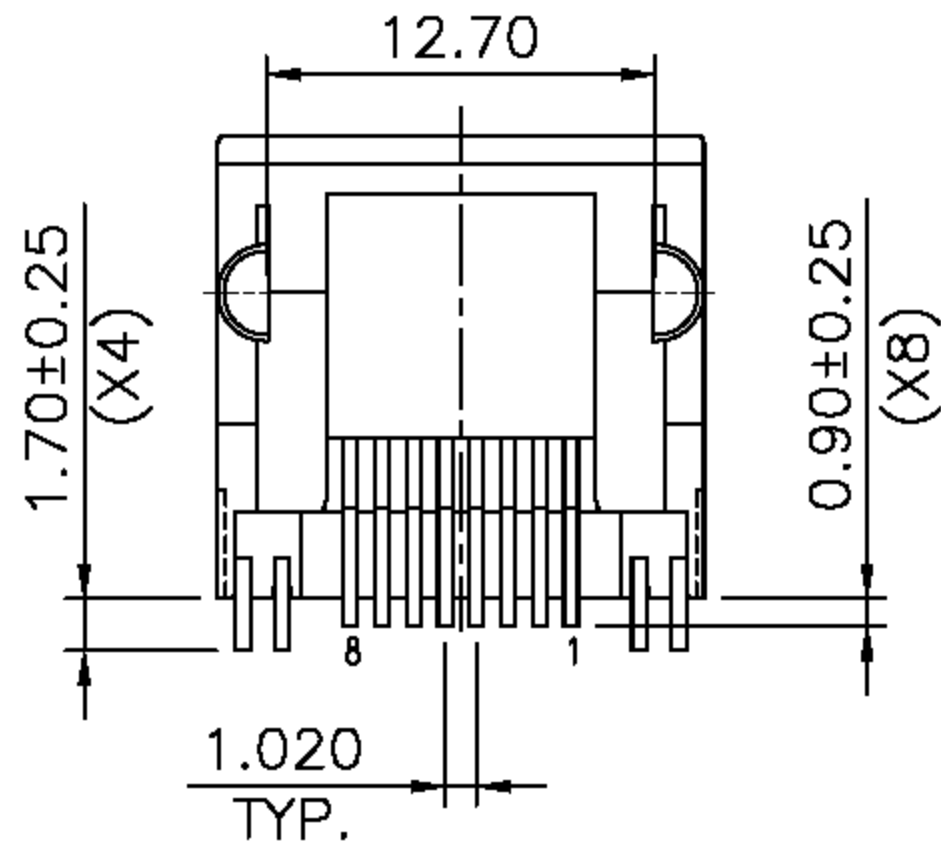
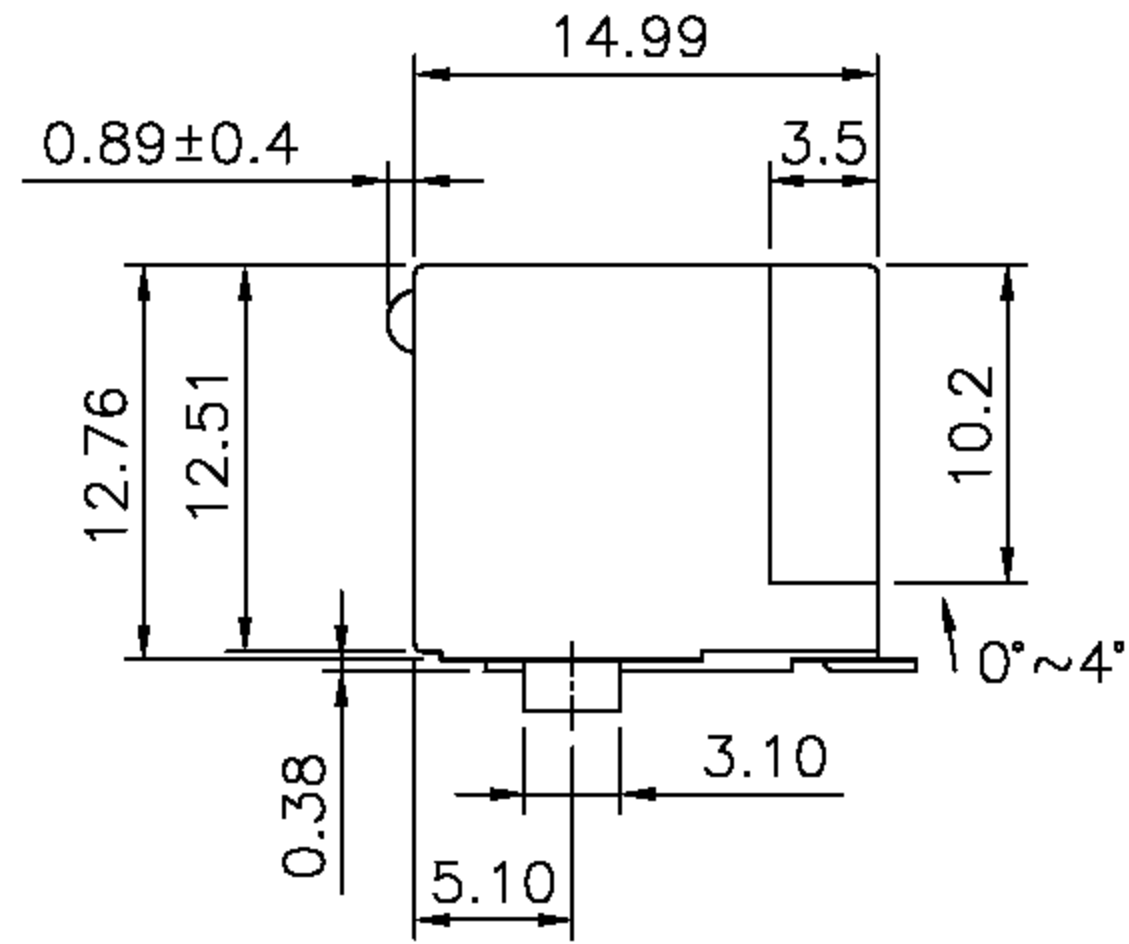
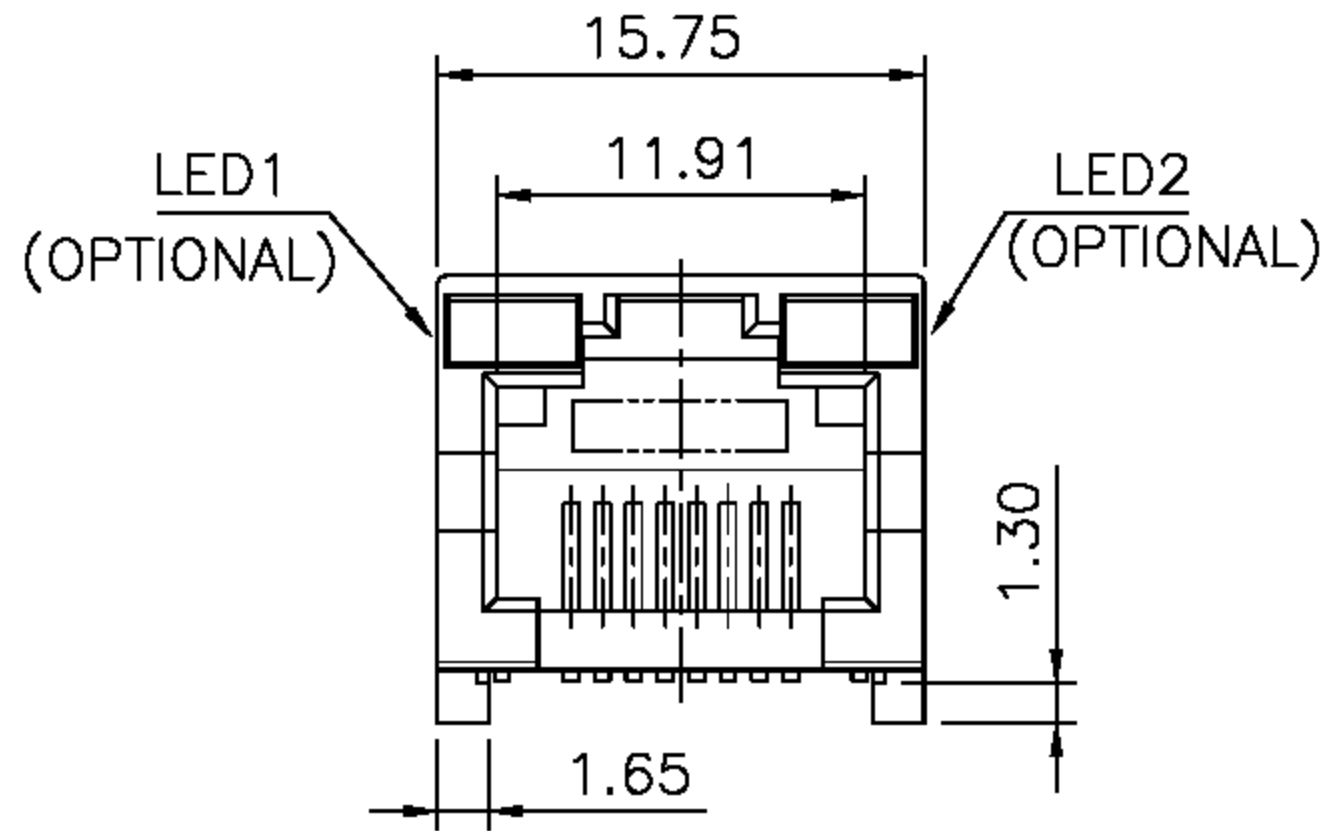


# RoHS Compliance



**PCB LAYOUT**

Ref.

DO NOT SCALE DRAWING	TOLERANCES UNLESS OTHERWISE NOTED	INCH	MM	DR. <i>C.IAN.CILUO</i>	DATE NOV-18 '09	淮洋有限公司 HUI YANG CO.,LTD. TEL : 886-2-8261-8986 FAX : 886-2-8261-1885 www.hy1688.com.tw 236新北市土城區中央路二段191號10樓之5				
 THIRD ANGLE PROJECTION	LINEAR $\frac{\text{MM}}{\text{INCH}}$	00 ± 000 ± 0000 ±	0.0 ± 0.25 0.00 ± 0.20 0.000 ± 0.10	CK'D <i>M.CHANG</i>	NOV-18 '09	TITLE MODULAR JACK, RJ45, WITH LED'S SMT TYPE, SIDE ENTRY				
MM INCH	ANGLE ± 0° 30'	RADII	± 0.40 - 0.15	APP'D <i>W.J.YANG</i>	NOV-19 '09	SCALE	SIZE	DWG.NO. 975604	REV. 6	SHEET 1