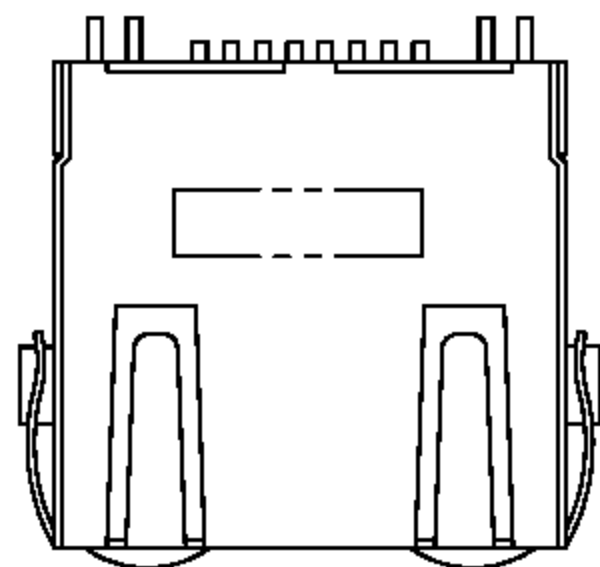
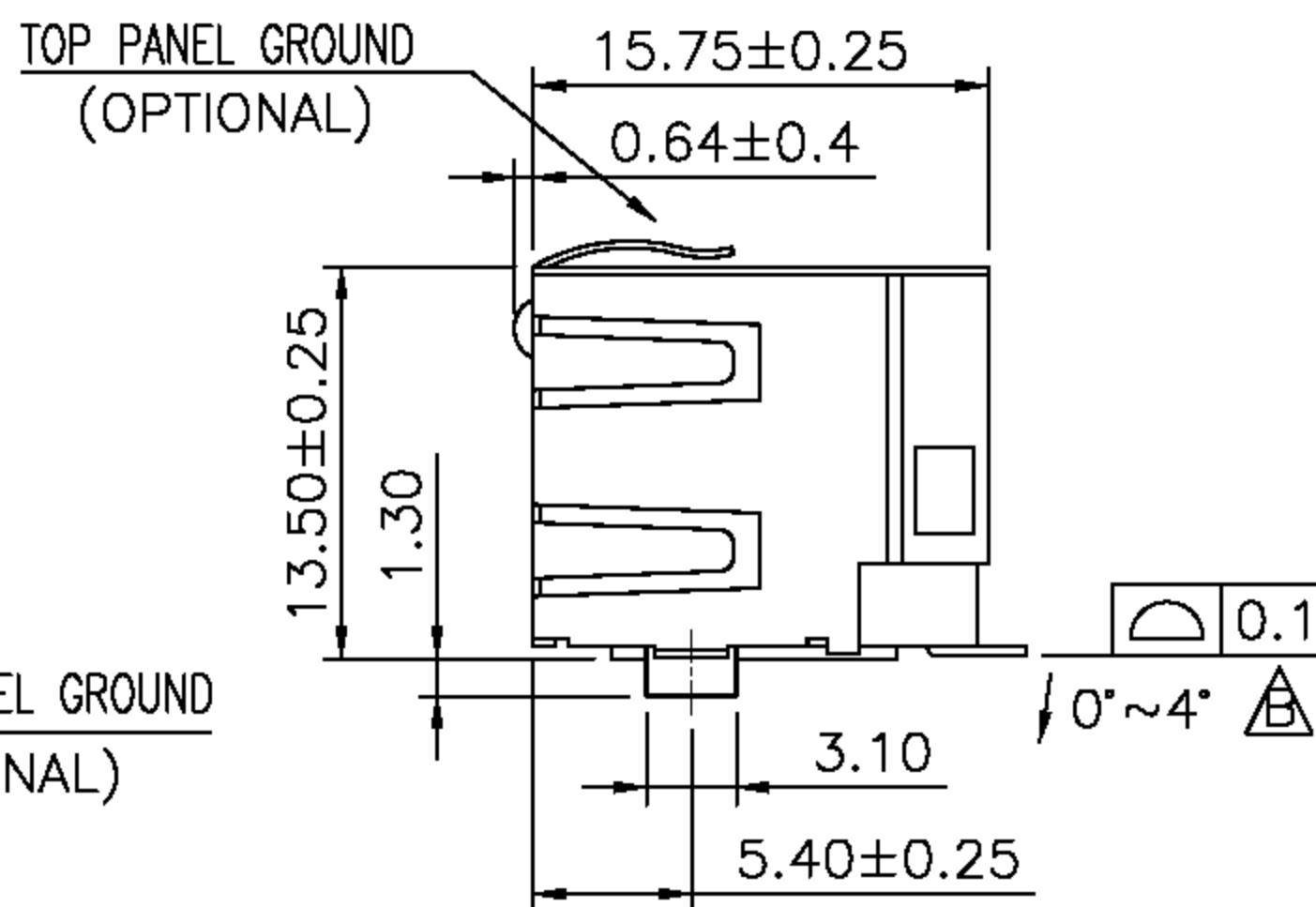
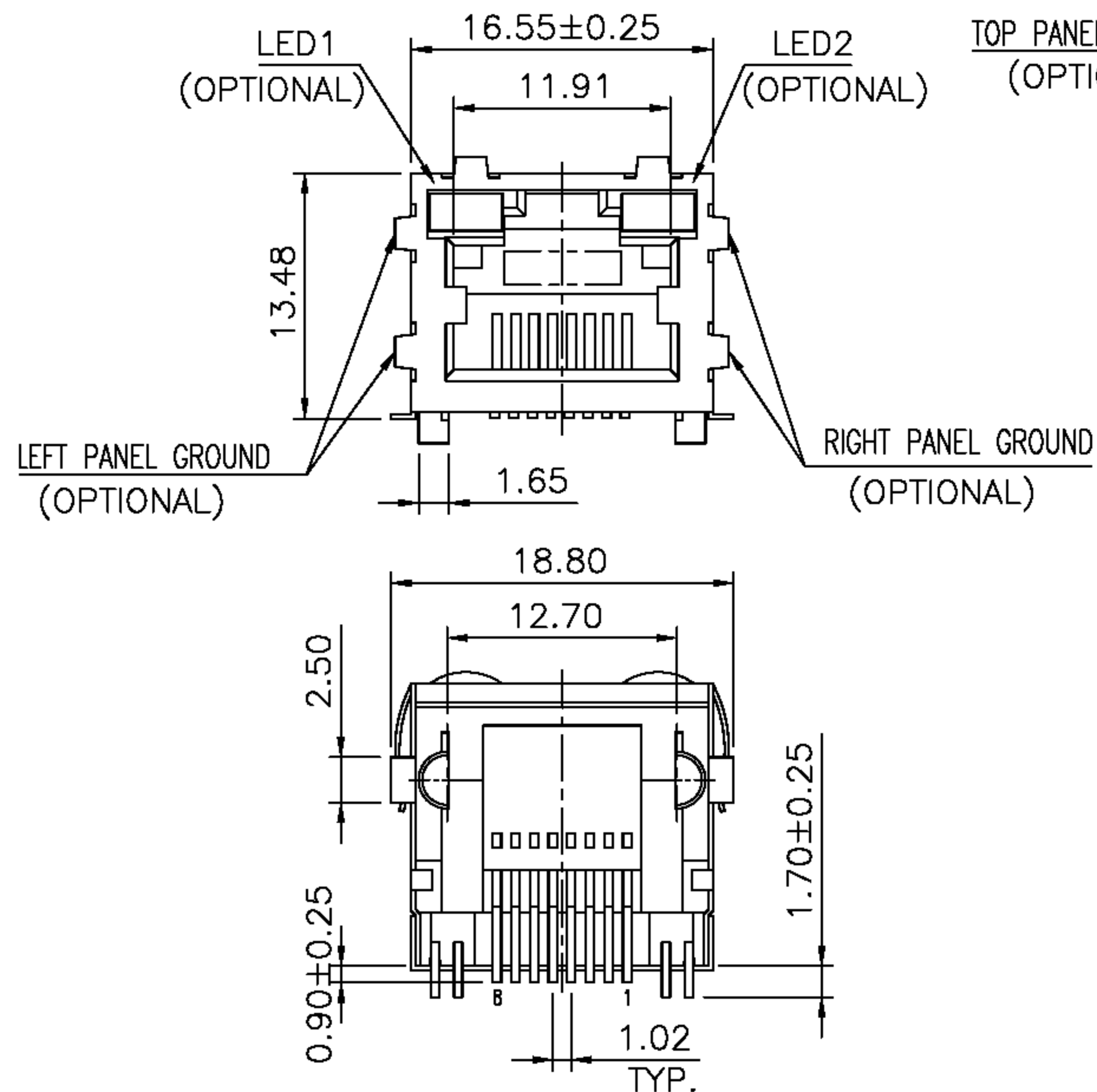


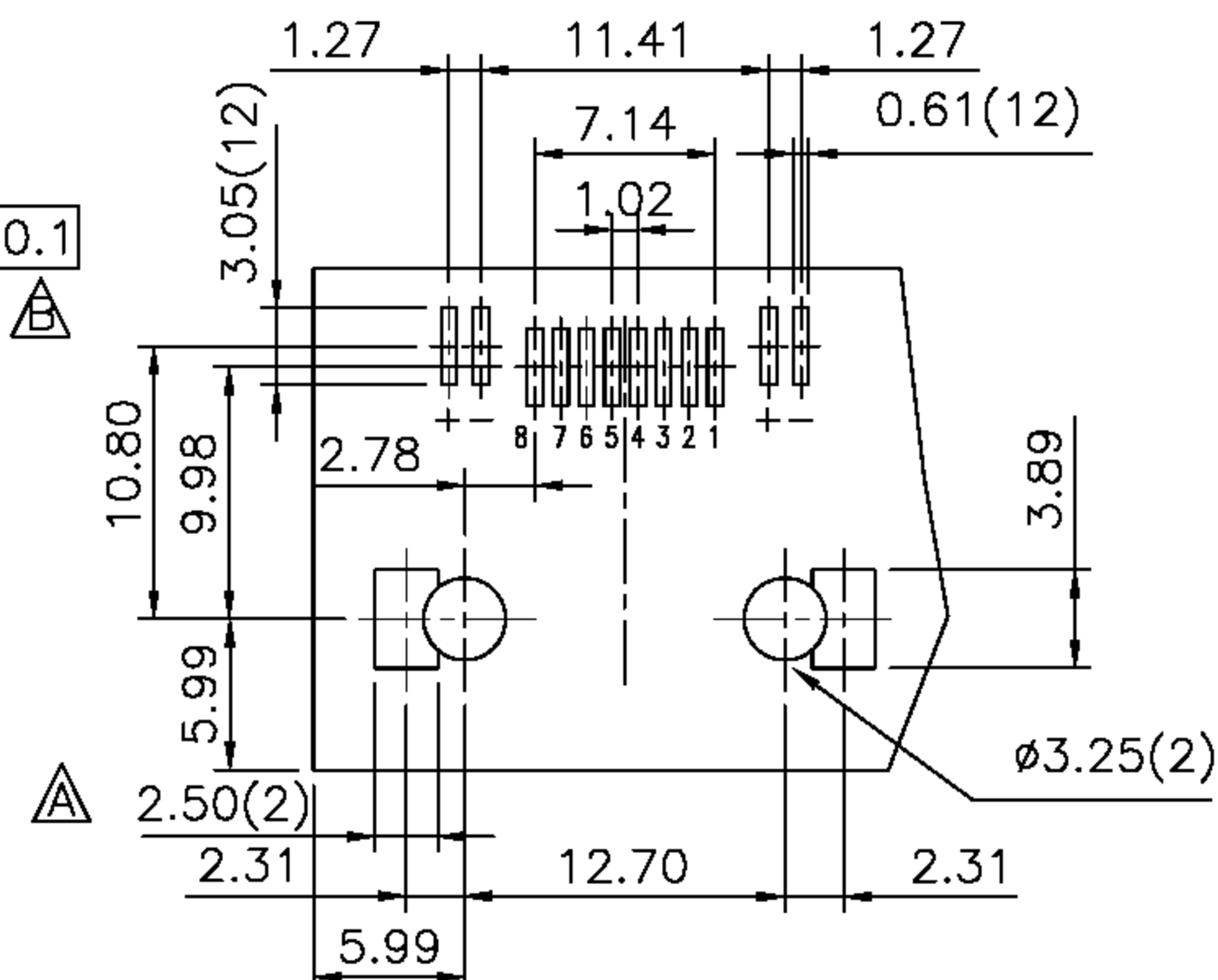
# RoHS Compliance



REVISIONS			
LTR	DESCRIPTION	DATE	APP
△	ADD	05/10/'07	CHANG
△	ECN	05/10/'12	



CAVITY CONFIRMS TO FCC RULES AND REGULATIONS PART 68, SUBPART F.



**PCB LAYOUT**

Ref.

DO NOT SCALE DRAWING	TOLERANCES UNLESS OTHERWISE NOTED	INCH	MM	DR. <i>CIAN.CI.LUO</i>	DATE MAY-10 '12
THIRD ANGLE PROJECTION	LINEAR MM INCH	00 ± 000 ± 0000 ±	0.0 ± 0.25 0.00 ± 0.20 0.000 ± 0.10	CK'D <i>M.CHANG</i>	MAY-10 '12
MM INCH	ANGLE ± 0° 30'	RADII	± 0.40 - 0.15	APP'D <i>W.J.YANG</i>	MAY-11 '12

淮洋有限公司 HUIYANG CO., LTD.  
TEL : 886-2-8261-8986 FAX : 886-2-8261-1885  
www.hy1688.com.tw 236 新北市土城區中央路二段191號10樓之5

TITLE MODULAR JACK, RJ45, WITH LED'S SHIELDED, SMT TYPE, SIDE ENTRY		SCALE	SIZE	DWG.NO.	REV.	SHEET
				975601	8	1