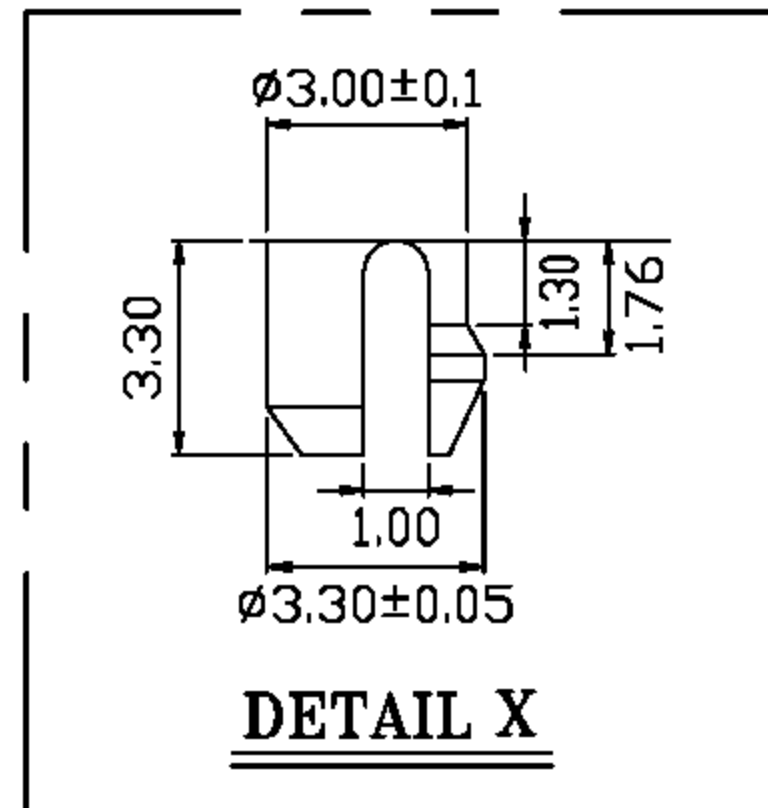
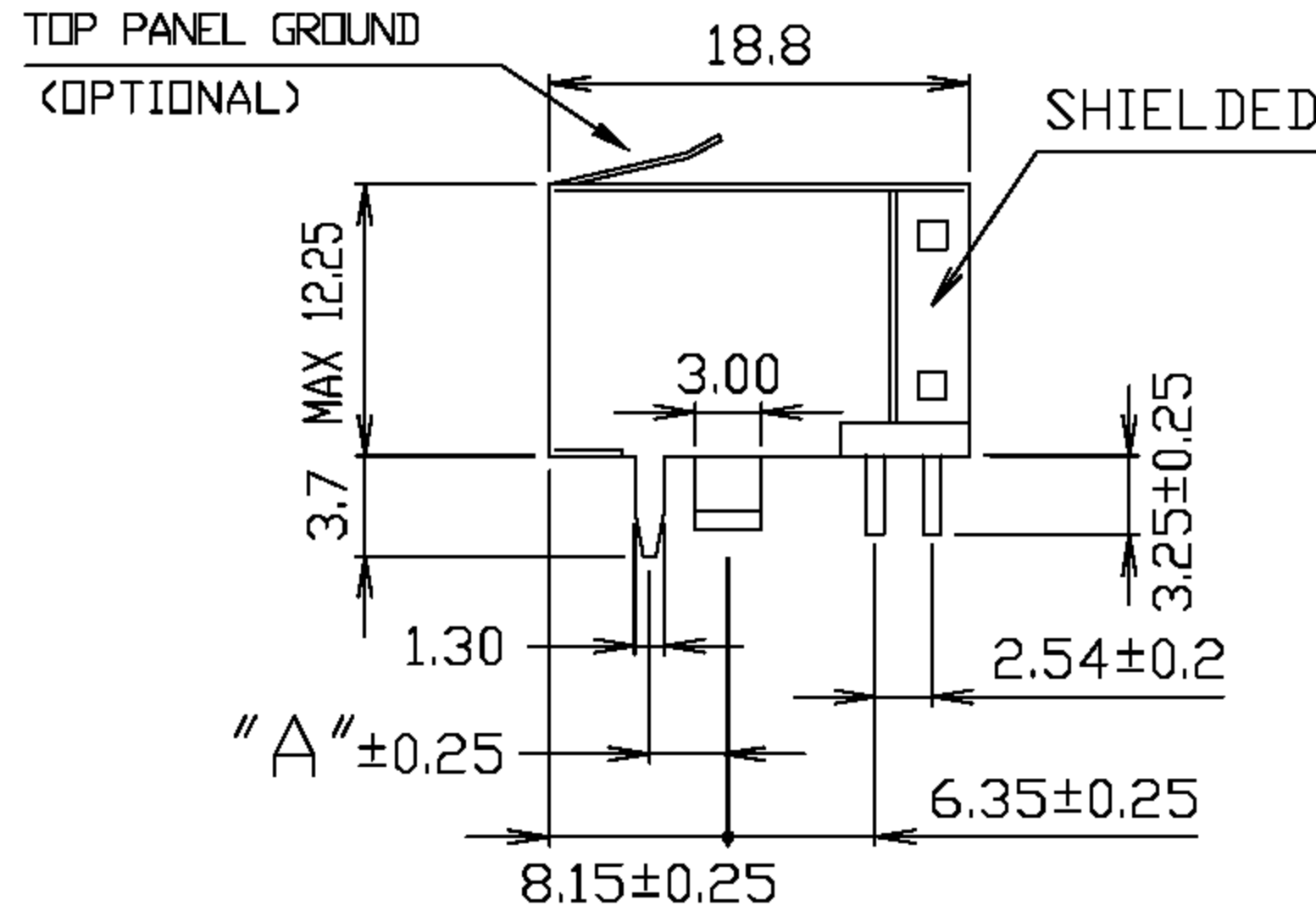
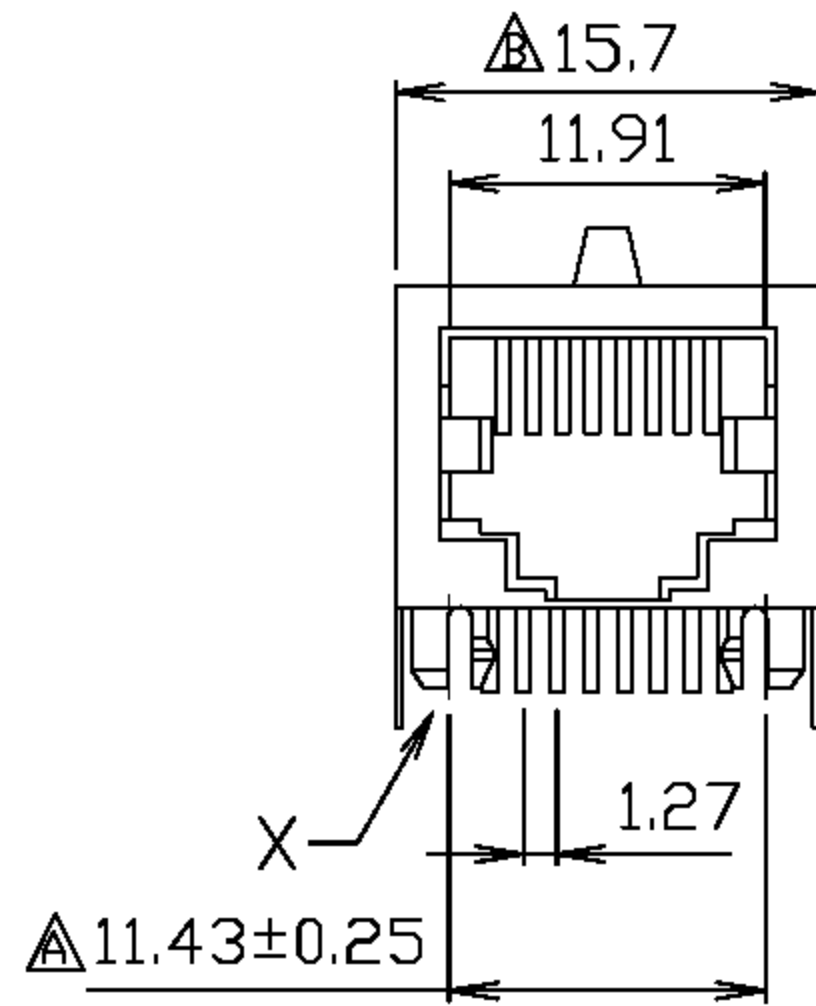
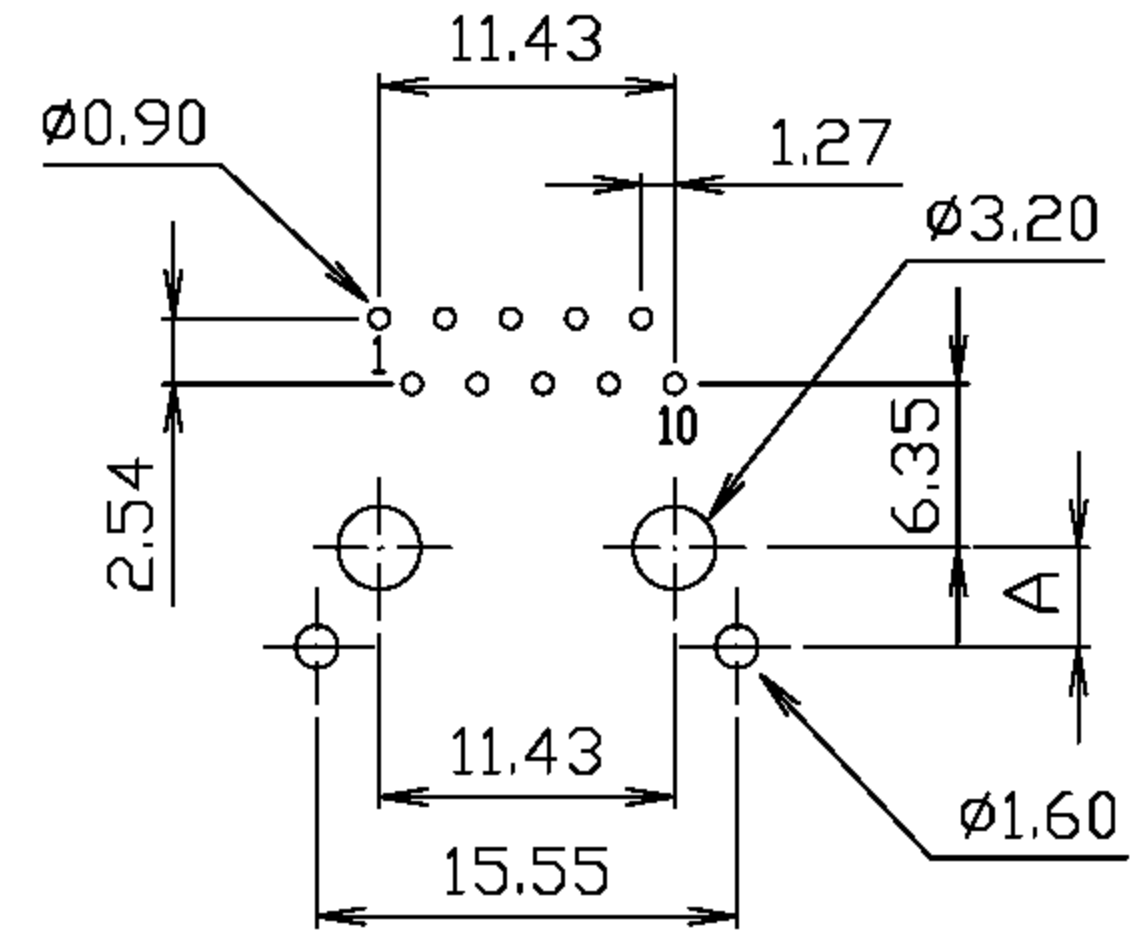
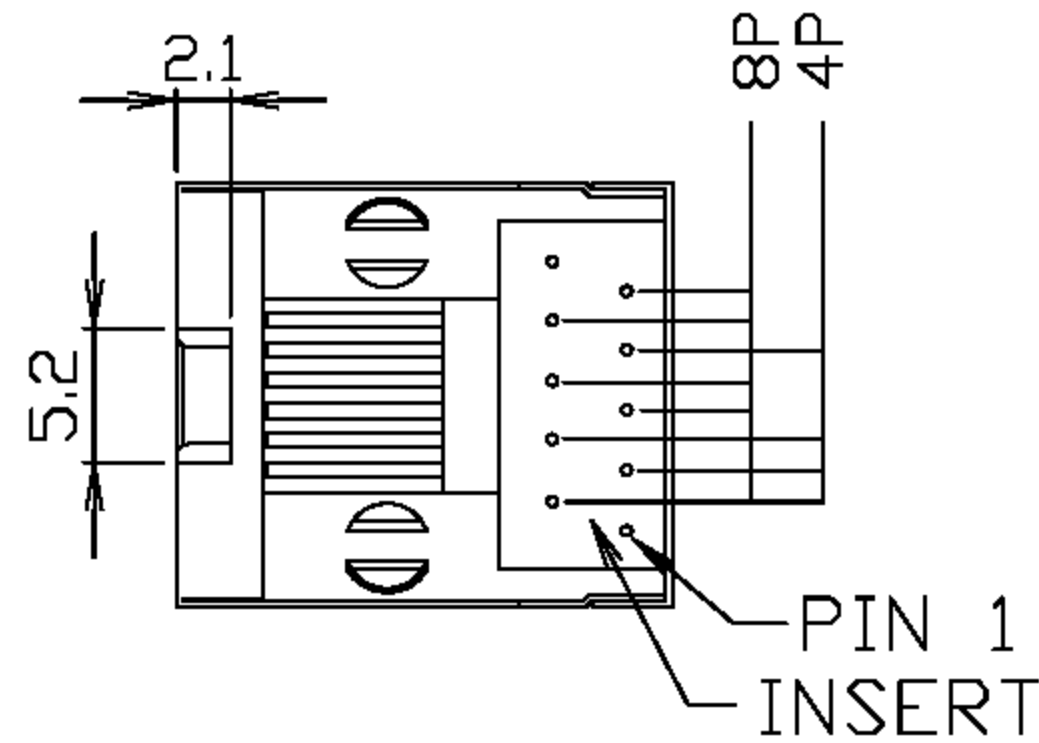


# RoHS Compliance



REVISIONS			
LTR	DESCRIPTION	DATE	APP
△	CAR 11.43	01/22/'09	CHANG
△	CAR 15.9	07/03/'09	CHANG



淮洋有限公司 HUI YANG CO., LTD.  
 TEL: 886-2-8261-8986 FAX: 886-2-8261-1885  
 www.hy1688.com.tw 236新北市土城區中央路二段191號10樓之5

TITLE 10POSITION SIDE ENTRY FLAT PIN  
 VERY LOW PROFILE, SHIELDED PCB JACK

SCALE	SIZE	DWG.NO.	REV.	SHEET
		975402	5	1

DO NOT SCALE DRAWING	TOLERANCES UNLESS OTHERWISE NOTED	INCH	MM	DR. CIAN.CI.LUO	DATE MAY-06 '10
THIRD ANGLE PROJECTION	LINEAR	MM INCH	00 ± .01 000 ± .005 0000 ± .002	CK'D M.CHANG	MAY-06 '10
MM INCH	ANGLE ± 0° 30'	RADII	+ 0.40 - 0.15	APP'D W.J.YANG	MAY-06 '10