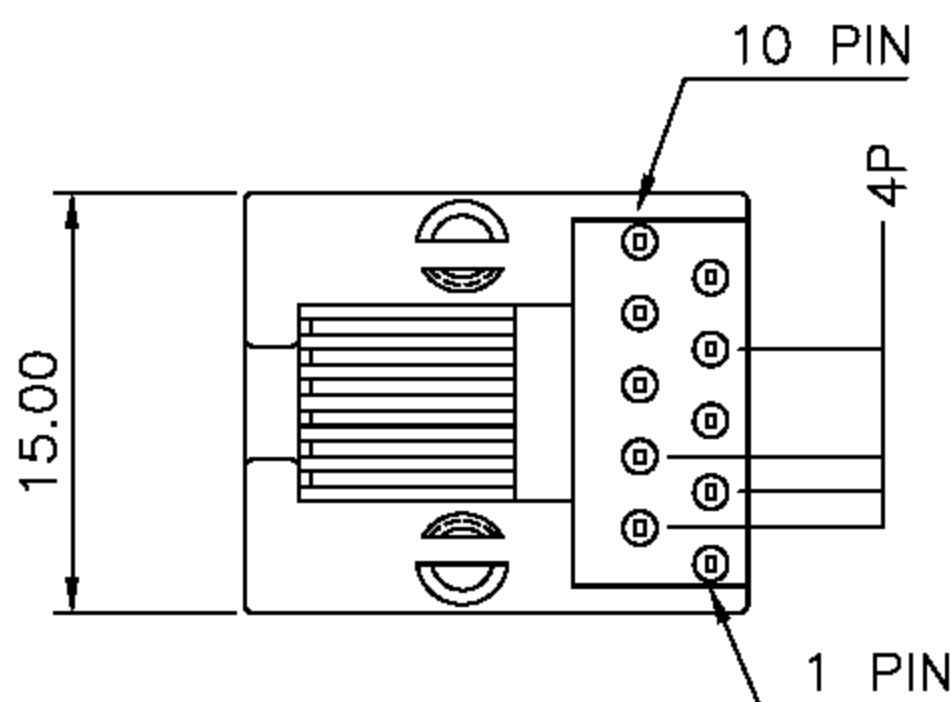
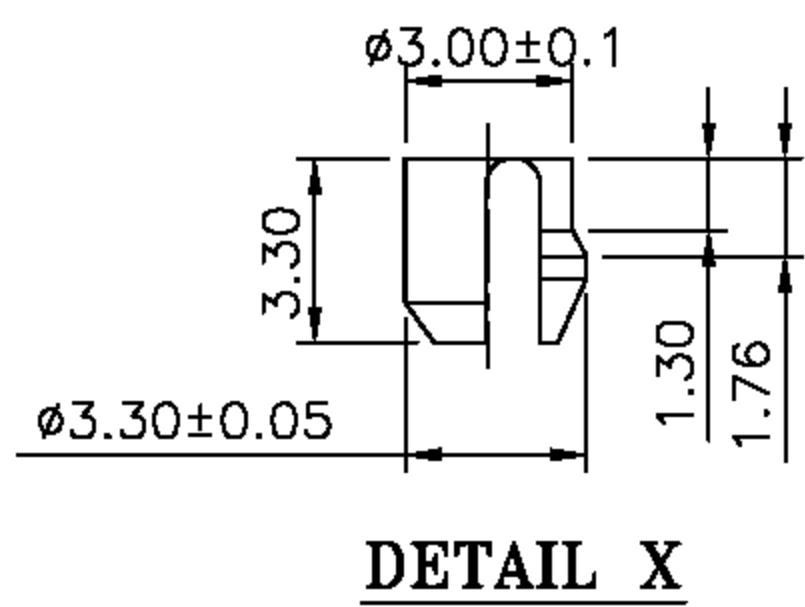
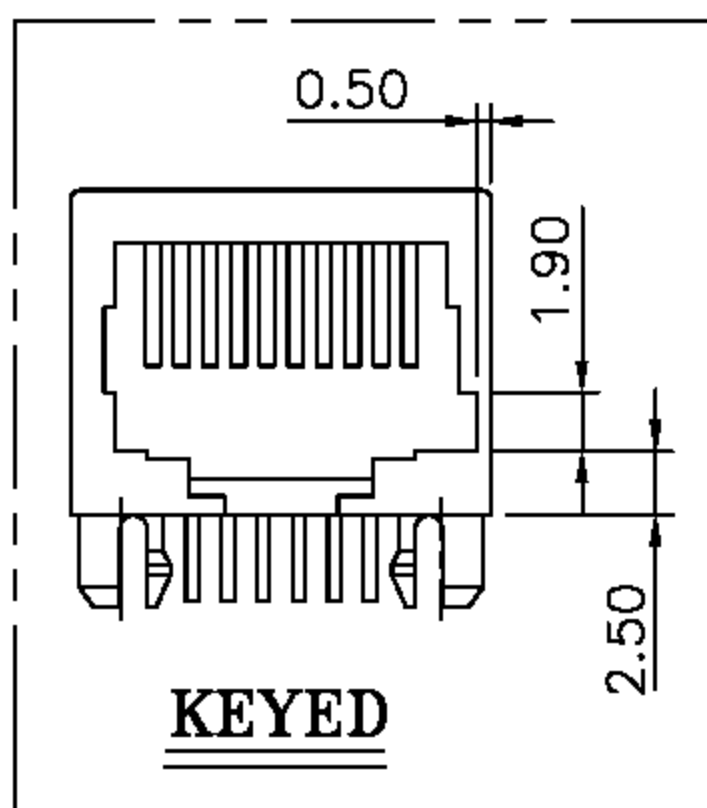
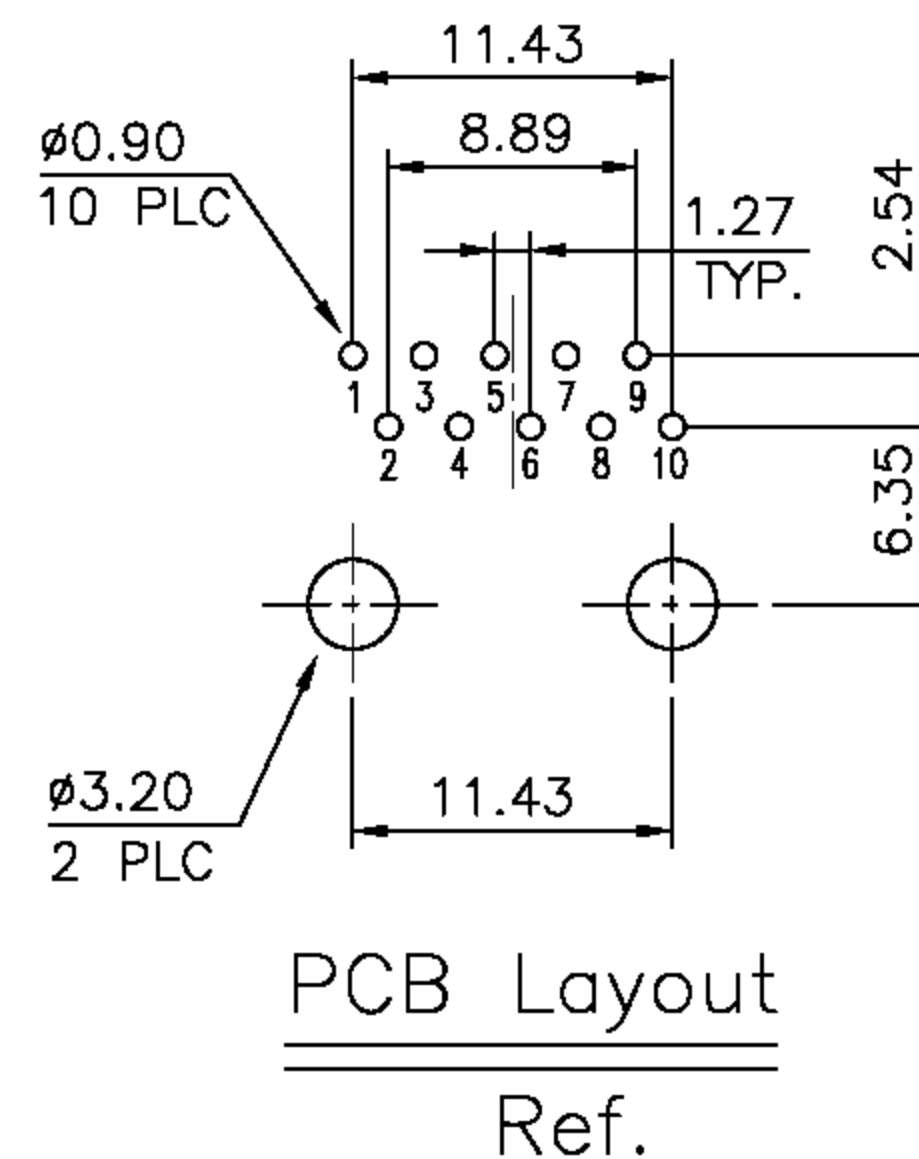
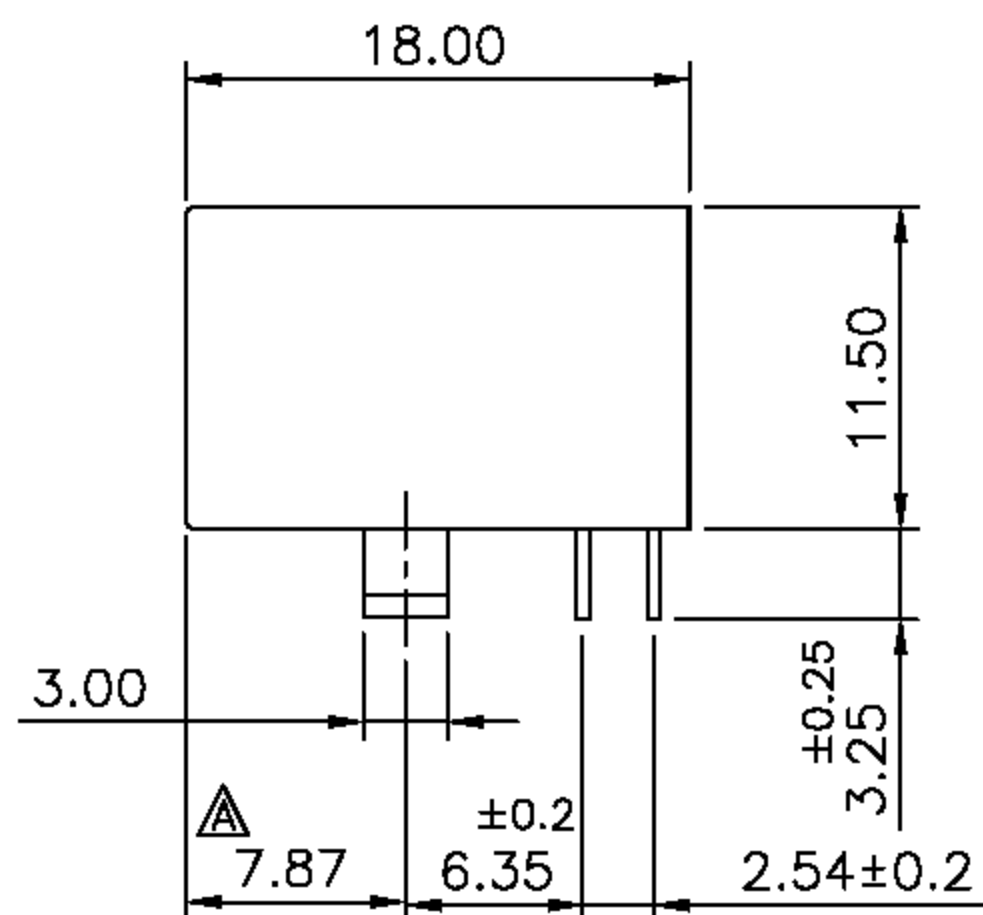
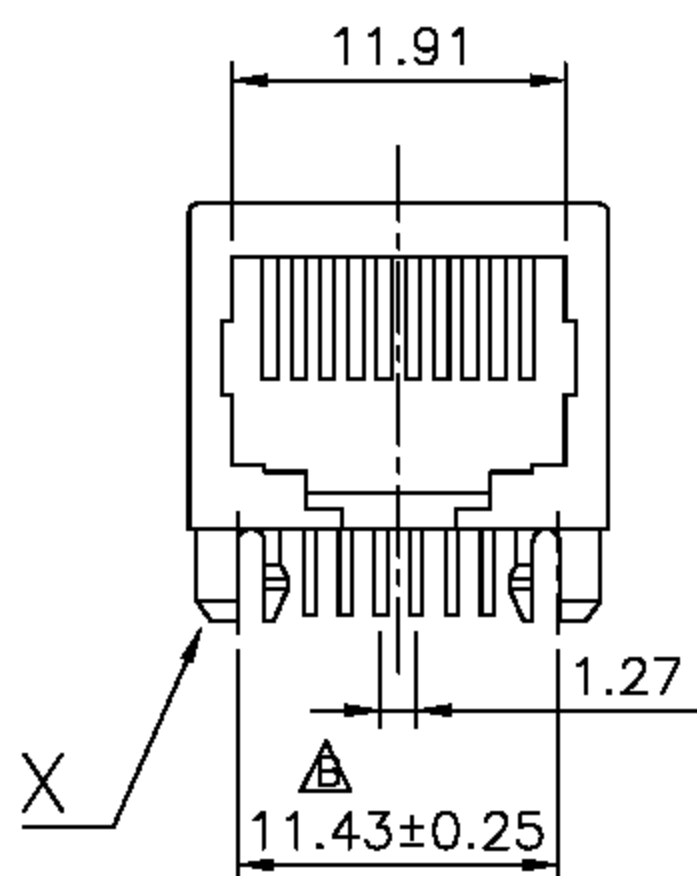


RoHS Compliance

REVISIONS			
LTR	DESCRIPTION	DATE	APP
△	7.85	08/20/'03	CHANG
△	CAR 11.43	01/22/'09	



淮洋有限公司 HUIYANG CO., LTD.
 TEL : 886-2-8261-8986 FAX : 886-2-8261-1885
 www.hy1688.com.tw 236新北市土城區中央路二段191號10樓之5

TITLE 10 & 8 POSITION, SIDE ENTRY, FLAT PIN,
 VERY LOW PROFILE, SHIELDLESS PCB JACK

SCALE	SIZE	DWG.NO.	REV.	SHEET
		975401	8	1

DO NOT SCALE
DRAWING

TOLERANCES UNLESS
OTHERWISE NOTED

INCH

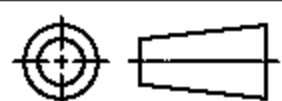
MM

DR.

DATE

CIAN.CI.LUO

FEB-24 '09



THIRD ANGLE PROJECTION

LINEAR

MM

INCH

00 ± .01
000 ± .005
0000 ± .002

0.0 ± 0.25
0.00 ± 0.13
0.000 ± 0.05

CK'D

M.CHANG

FEB-24 '09

MM
INCH

ANGLE ± 0° 30'

RADII

+ 0.40
- 0.15

APP'D

W.J.YANG

FEB-24 '09