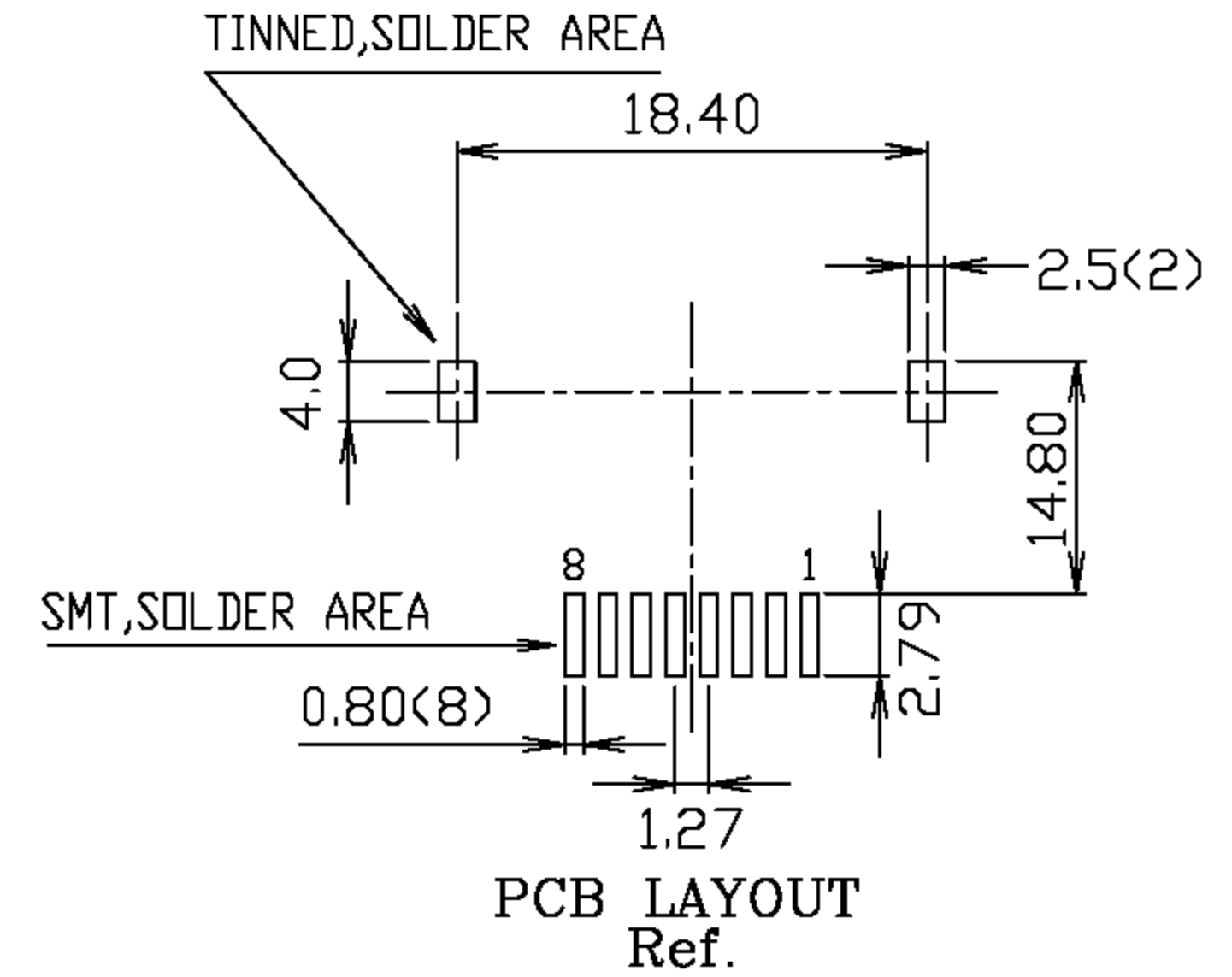
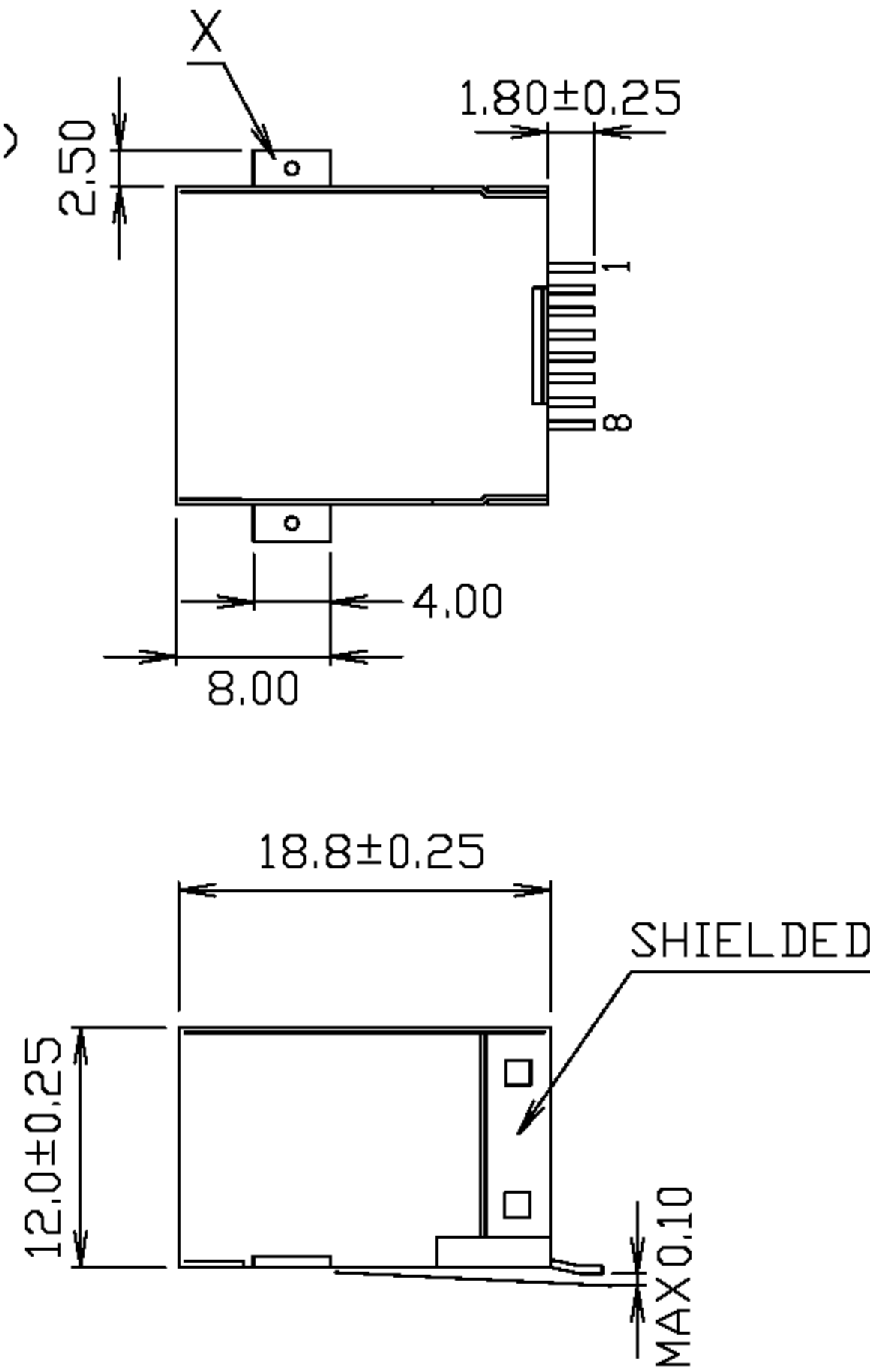
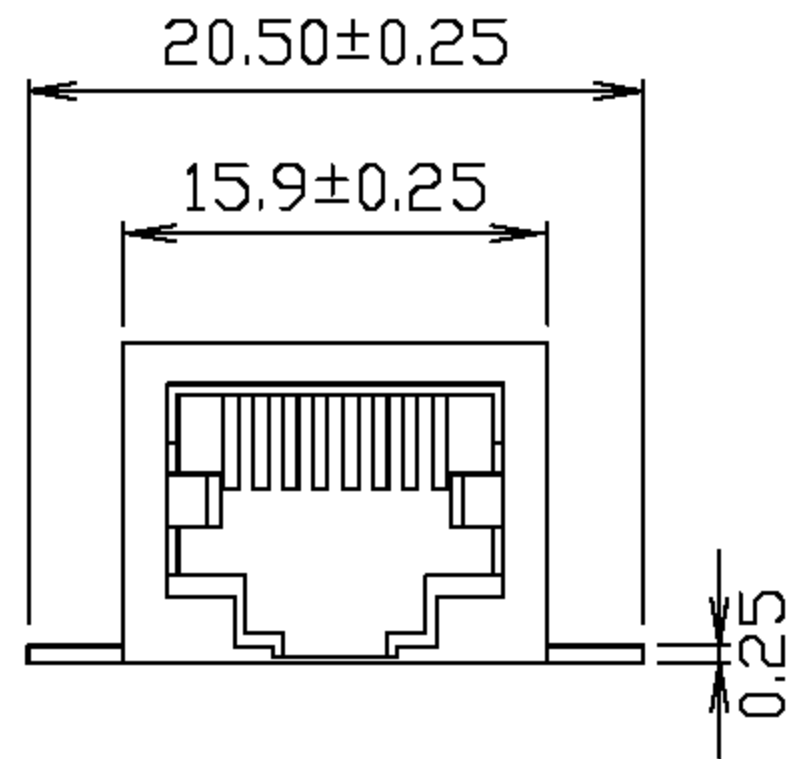
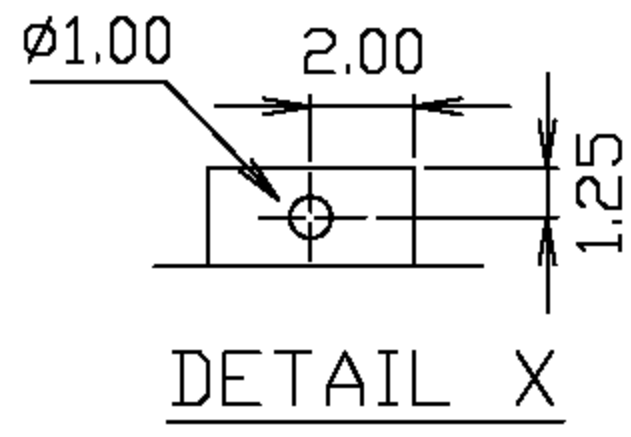
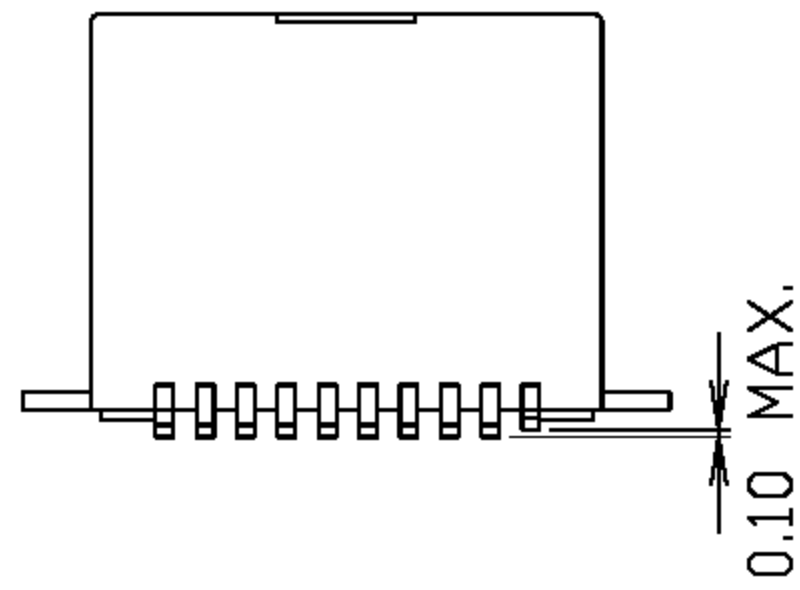


# RoHS Compliance

COPLANARITY:  
THE MAXIMUM DISTANCE (0.10mm)  
BETWEEN LOWEST AND  
HIGHEST PIN WHEN  
BOTTOM OF PART PUT  
ON A FLAT SURFACE



淮洋有限公司 HUIYANG CO., LTD.  
TEL: 886-2-8261-8986 FAX: 886-2-8261-1885  
www.hy1688.com.tw 236新北市土城區中央路二段191號10樓之5

TITLE 10POSITION SIDE ENTRY SMT TYPE  
VERY LOW PROFILE, SHIELDED PCB JACK

SCALE	SIZE	DWG.NO.	REV.	SHEET
		975301	4	1

DO NOT SCALE DRAWING	TOLERANCES UNLESS OTHERWISE NOTED	INCH	MM	DR. <i>CIAN.CI.LUO</i>	DATE JAN-17 '08
THIRD ANGLE PROJECTION	LINEAR	$00 \pm .01$ $000 \pm .005$ $0000 \pm .002$	$0.0 \pm 0.25$ $0.00 \pm 0.13$ $0.000 \pm 0.05$	CK'D <i>M.CHANG</i>	JAN-17 '08
MM INCH	ANGLE $\pm 0^\circ 30'$	RADII	$+ 0.40$ $- 0.15$	APP'D <i>W.J.YANG</i>	JAN-18 '08