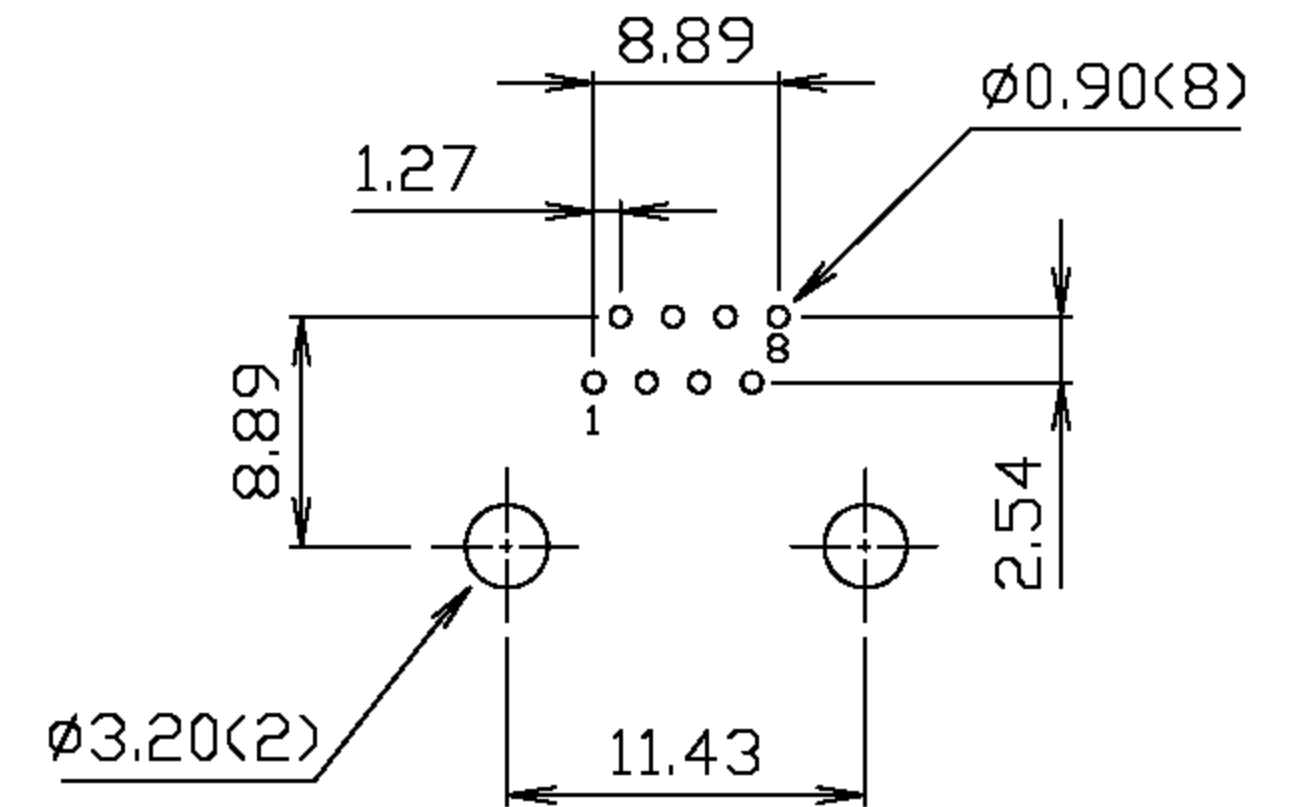
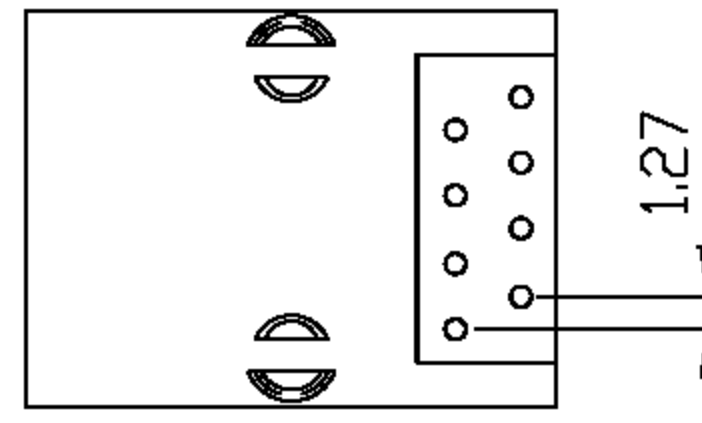
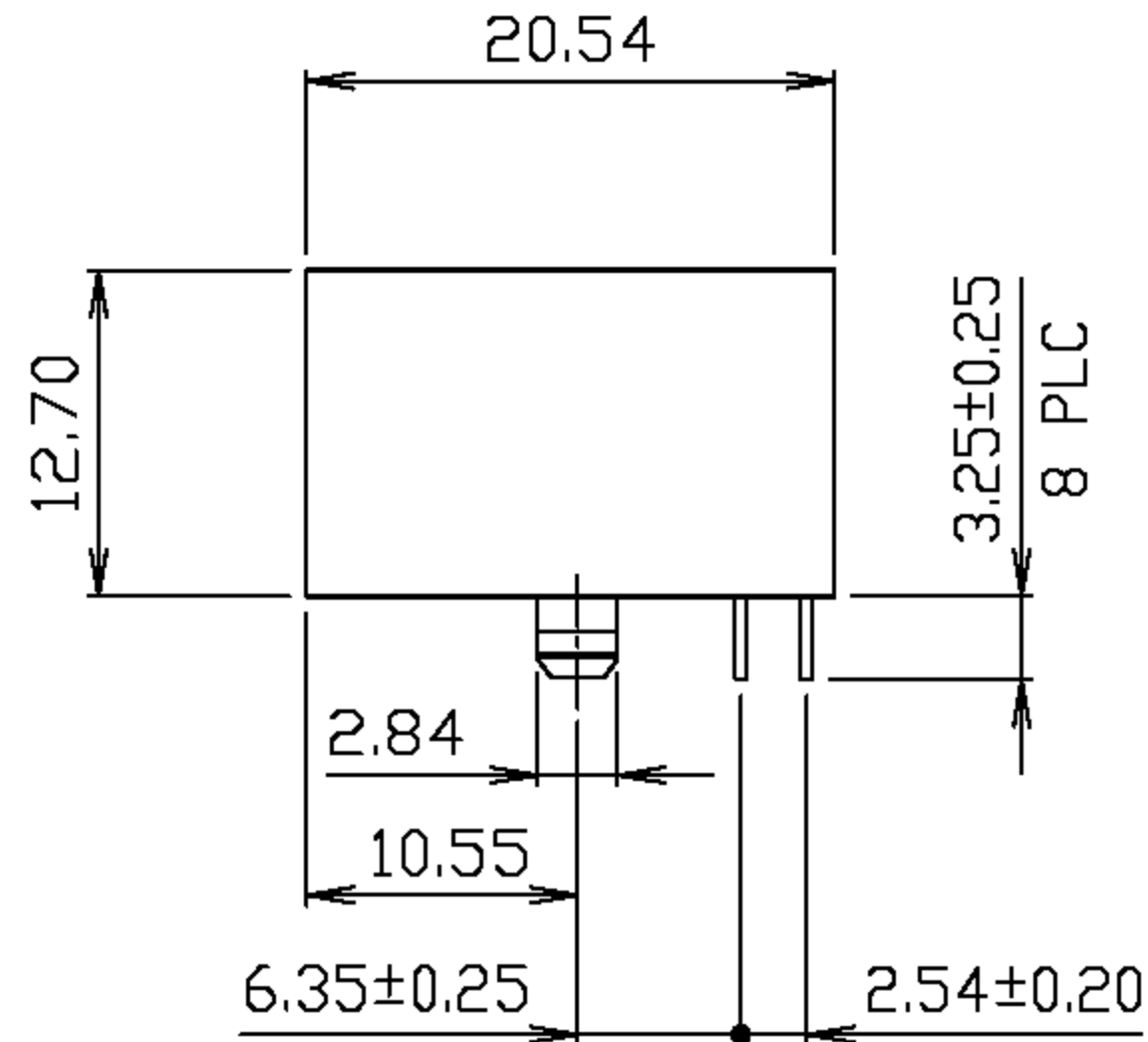


**DETAIL X**



PC Board Layout Ref.

淮洋有限公司 HUI YANG CO., LTD.  
 TEL : 886-2-8261-8986 FAX : 886-2-8261-1885  
 www.hy1688.com.tw 236新北市土城區中央路二段191號10樓之5

DO NOT SCALE DRAWING	TOLERANCES UNLESS OTHERWISE NOTED	INCH	MM	DR. <i>M.L.HUANG</i>	DATE JAN-16 '07					
THIRD ANGLE PROJECTION	LINEAR	$\frac{\text{MM}}{\text{INCH}}$	$00 \pm .01$ $000 \pm .005$ $0000 \pm .002$	$0.0 \pm 0.25$ $0.00 \pm 0.13$ $0.000 \pm 0.05$	CK'D <i>M.CHANG</i>	JAN-16 '07	TITLE 8 POSITION, CAT.5, SIDE ENTRY PCB JACK			
MM INCH	ANGLE $\pm 0^\circ 30'$	RADII	$\pm 0.40$ $- 0.15$	APP'D <i>W.J.YANG</i>	JAN-16 '07	SCALE	SIZE	DWG.NO. 974903	REV. 3	SHEET 1