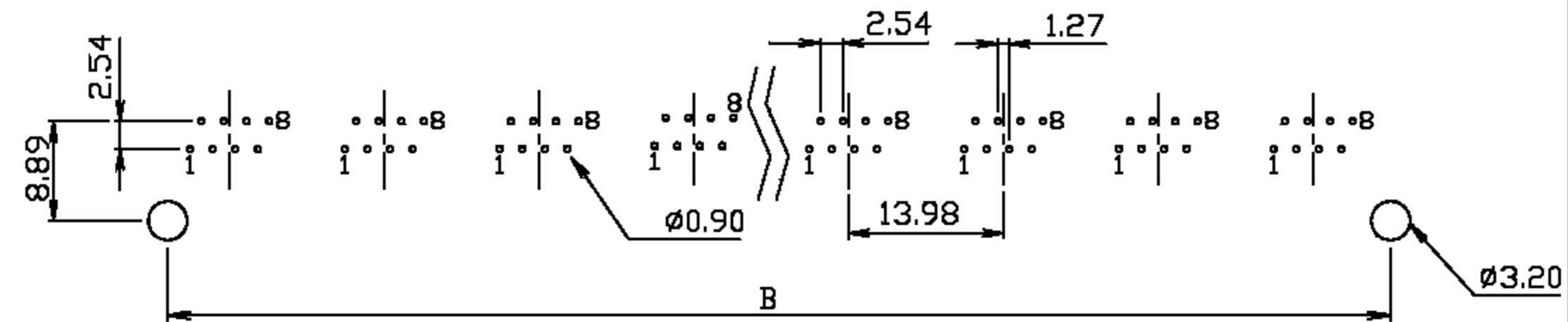
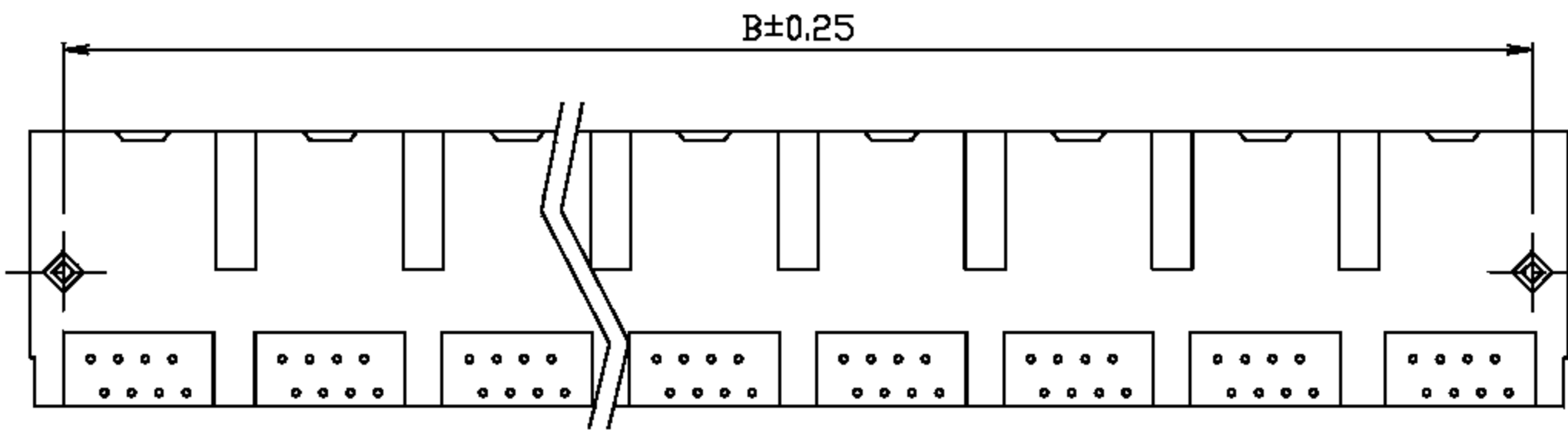
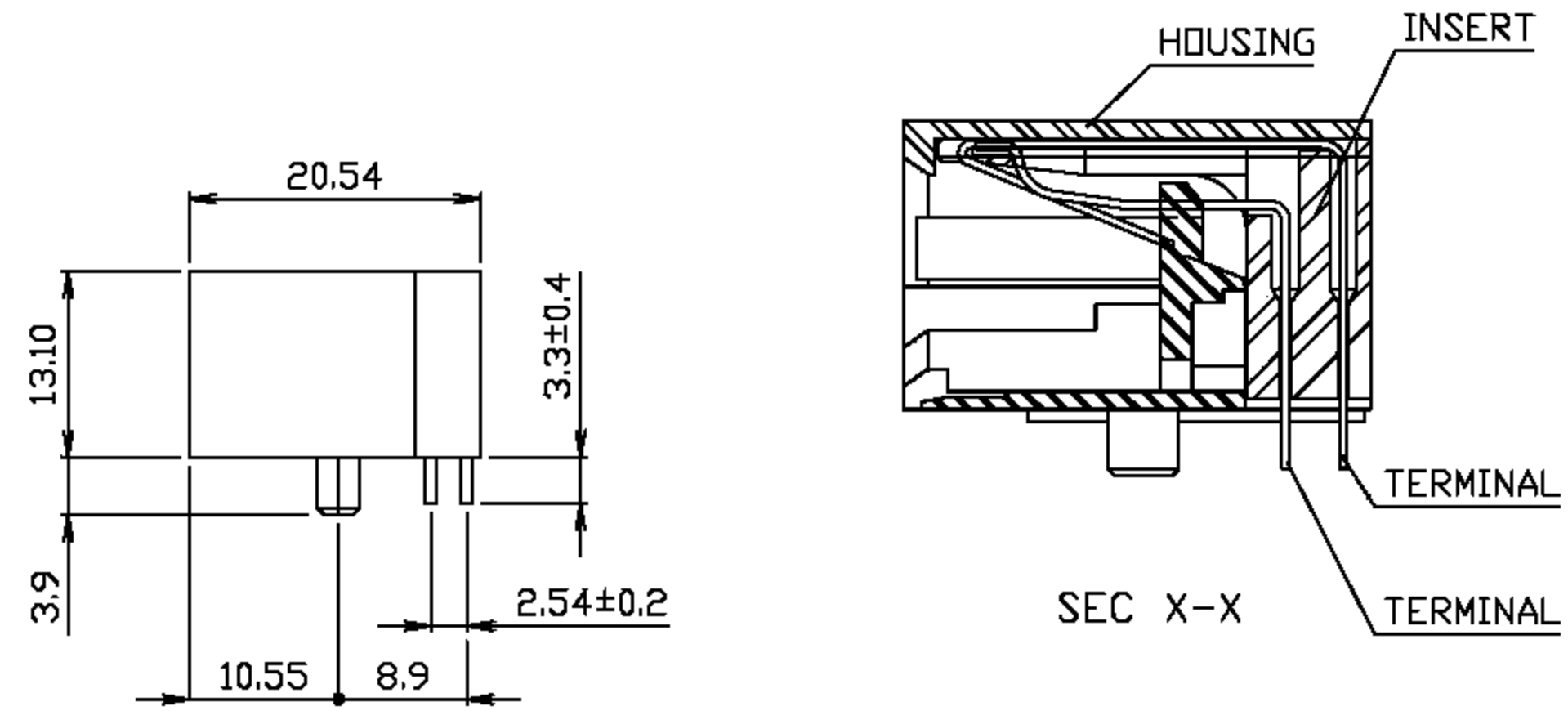
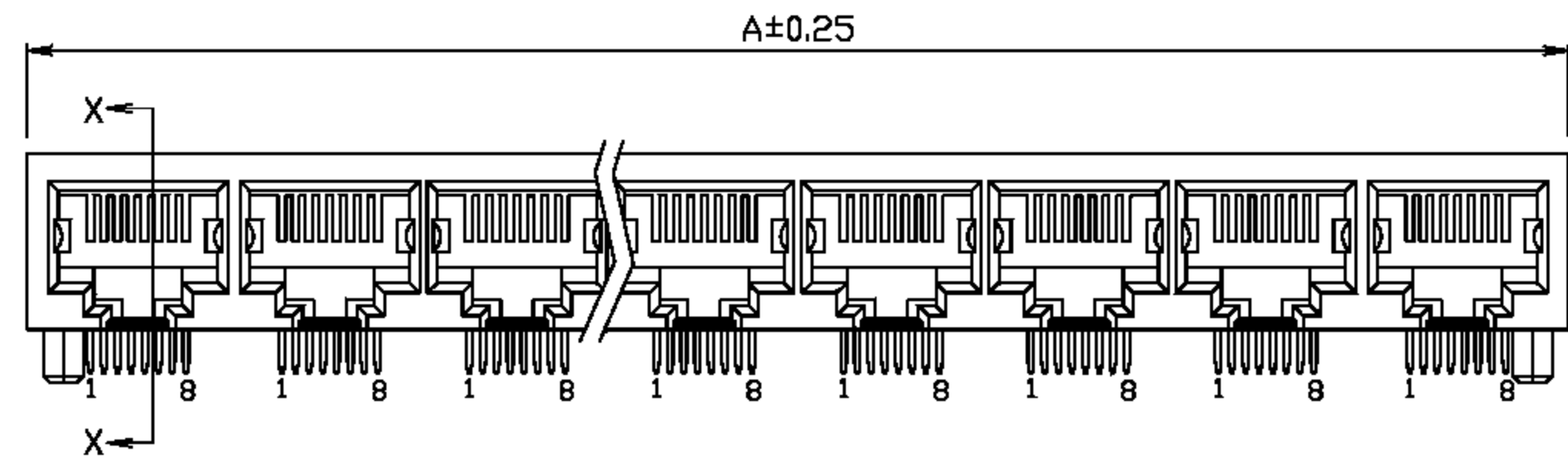


RoHS Compliance



P=NUMBER OF PORTS

PORTS DIM	2	3	4	5	6	7	8	9	10	11	12
A	30.48	44.45	58.30	72.39	86.36	100.33	114.30	128.27	142.24	156.21	170.18
B	25.40	39.37	53.34	67.31	81.28	95.25	109.22	123.19	137.16	154.13	165.10

DO NOT SCALE DRAWING	TOLERANCES UNLESS OTHERWISE NOTED	INCH	MM	DR. M.L.HUANG	DATE SEP-22 '09
THIRD ANGLE PROJECTION	LINEAR $\frac{MM}{INCH}$	$00 \pm .01$ $000 \pm .005$ $0000 \pm .002$	$0.0 \pm 0.25$ $0.00 \pm 0.13$ $0.000 \pm 0.05$	CK'D M.CHANG	SEP-22 '09
$\frac{MM}{INCH}$	ANGLE $\pm 0^{\circ} 30'$	RADII	$\pm 0.40$ $- 0.15$	APP'D W.J.YANG	SEP-22 '09

淮洋有限公司 HUI YANG CO.,LTD. TEL : 886-2-8261-8986 FAX : 886-2-8261-1885 www.hy1688.com.tw 236新北市土城區中央路二段191號10樓之5			
TITLE 2 TO 12 PORTS 8POSITION CAT.5 SIDE ENTRY PCB GANGED JACK			
SCALE	SIZE	DWG.NO. 974901	REV. SHEET 1 1