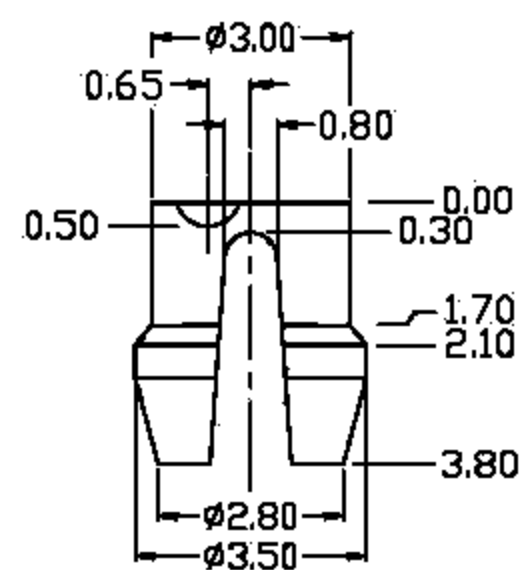
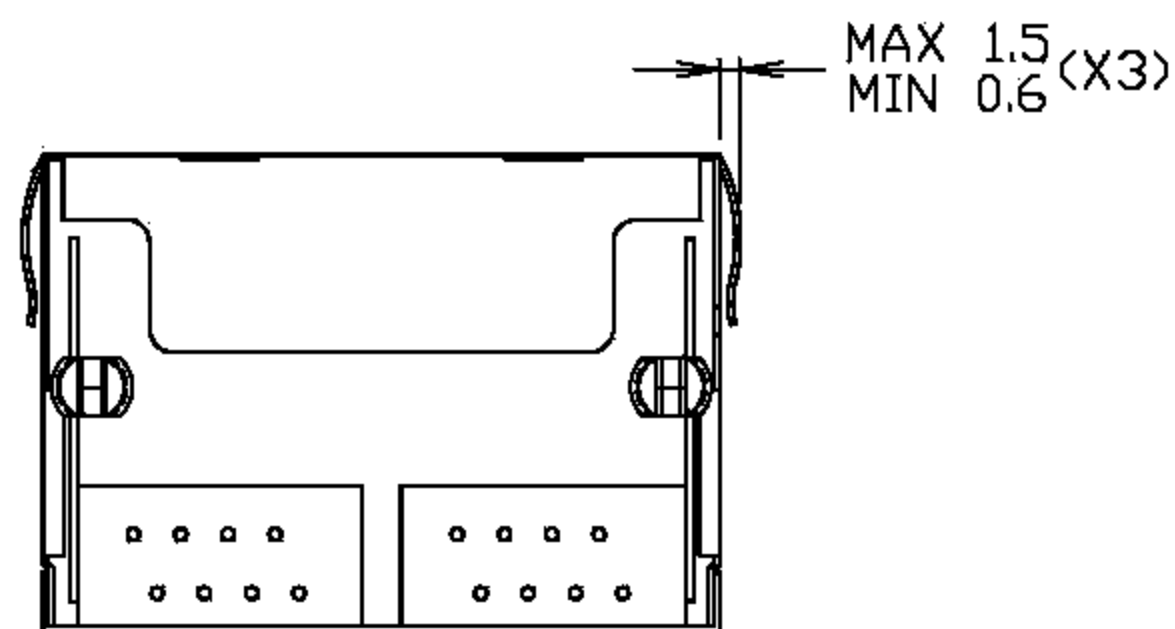
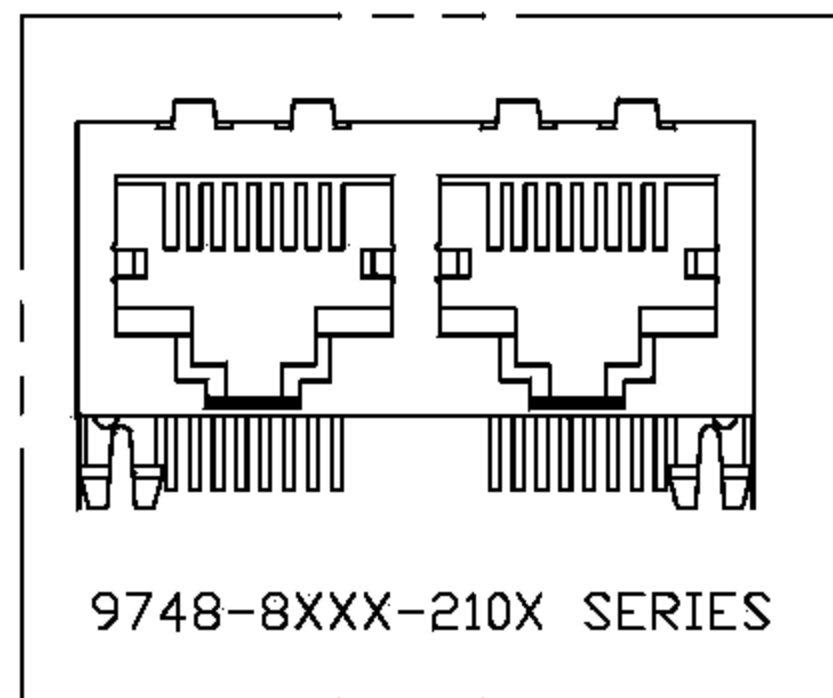
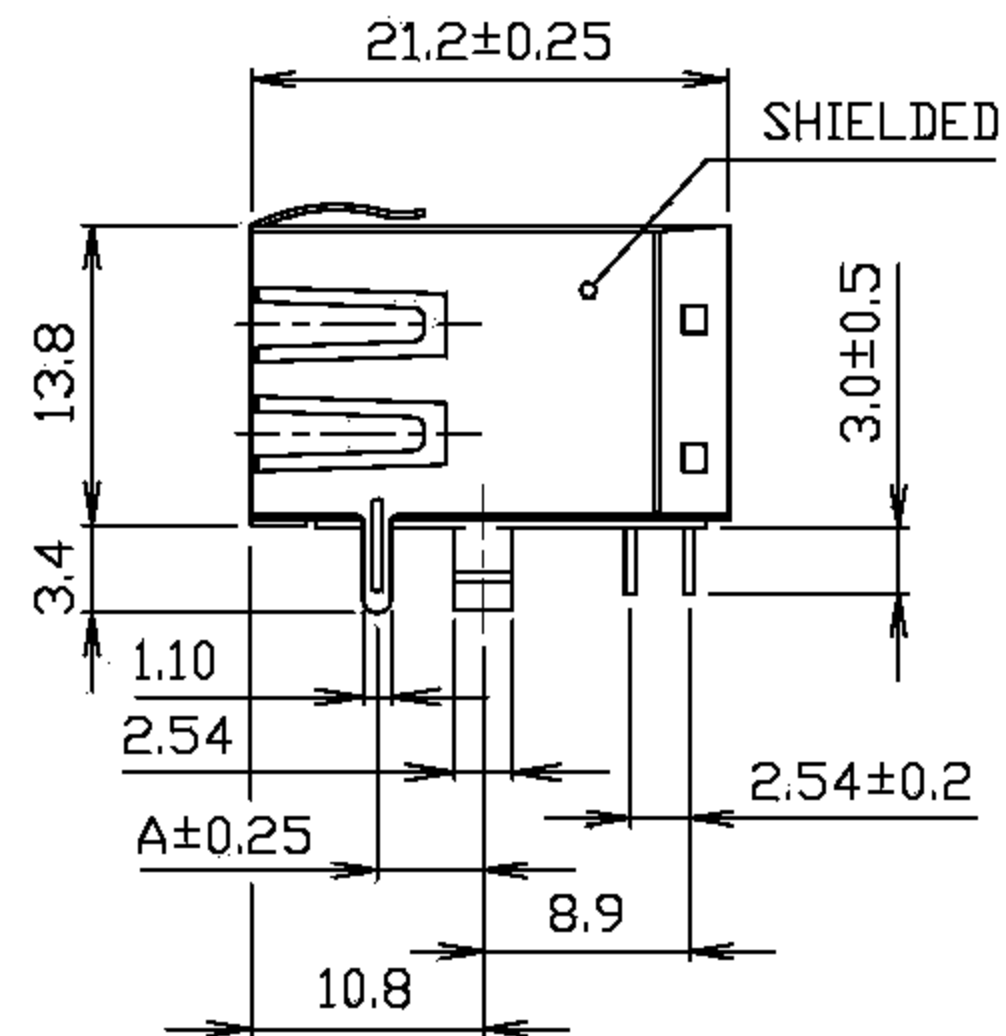
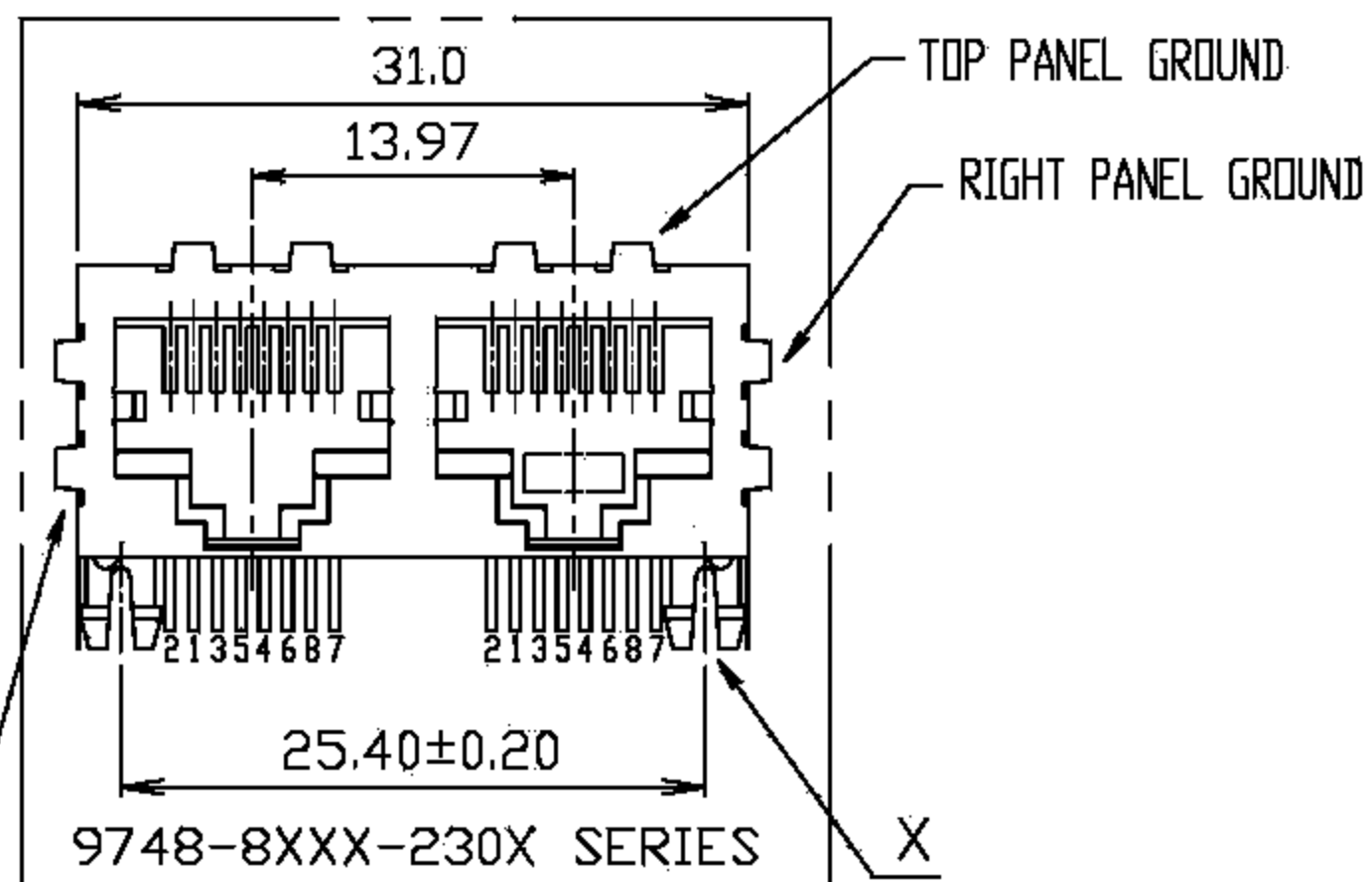
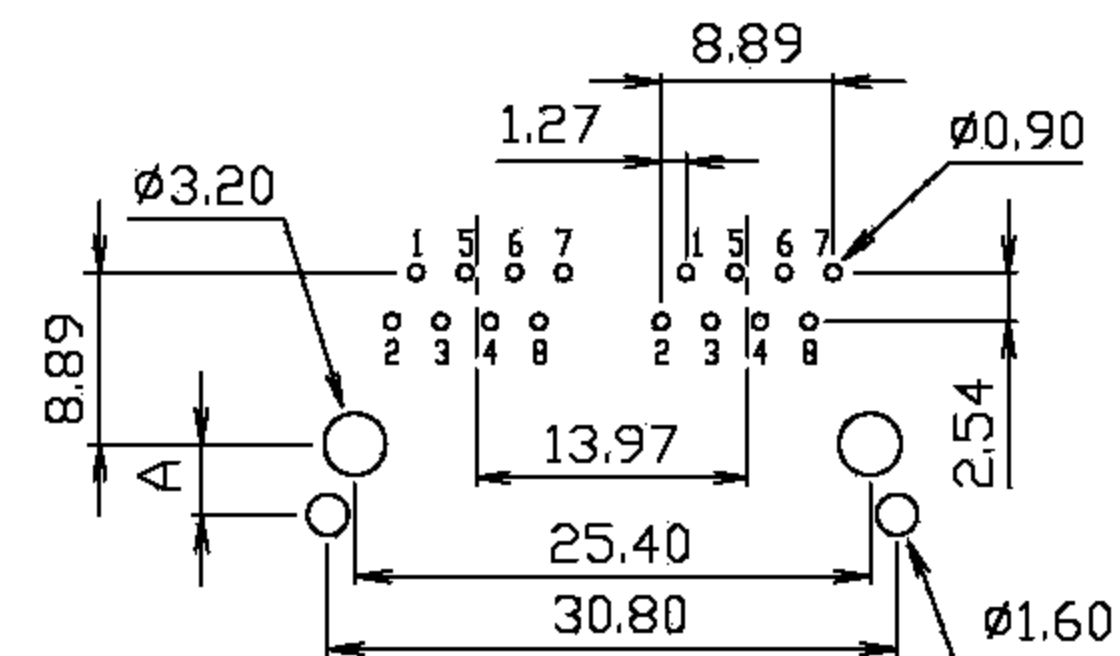


LEFT PANEL GROUND



DETAIL X



PCB LAYOUT Ref.

<input type="checkbox"/> NOT SCALE DRAWING		TOLERANCES UNLESS OTHERWISE NOTED		INCH	MM	DR. <b>M.L.HUANG</b>	DATE APR-15 '05	淮洋有限公司 HUIYANG CO.,LTD. TEL : 886-2-8261-8986 FAX : 886-2-8261-1885 www.hy1688.com.tw 236新北市土城區中央路二段191號10樓之5				
<input type="checkbox"/> THIRD ANGLE PROJECTION		LINEAR	MM INCH	00 ± .01 000 ± .005 0000 ± .002	0.0 ± 0.25 0.00 ± 0.13 0.000 ± 0.05	CK'D <b>M.CHANG</b>	APR-15 '05	TITLE 2 PORTS, RJ45, SHIELDED SIDE ENTRY PCB GANGED JACK				
MM INCH	ANGLE ± 0° 30'	RADII		+ 0.40 - 0.15		APP'D <b>W.J.YANG</b>	APR-16 '05	SCALE	SIZE	DWG.NO. 974807	REV. 1	SHEET 1