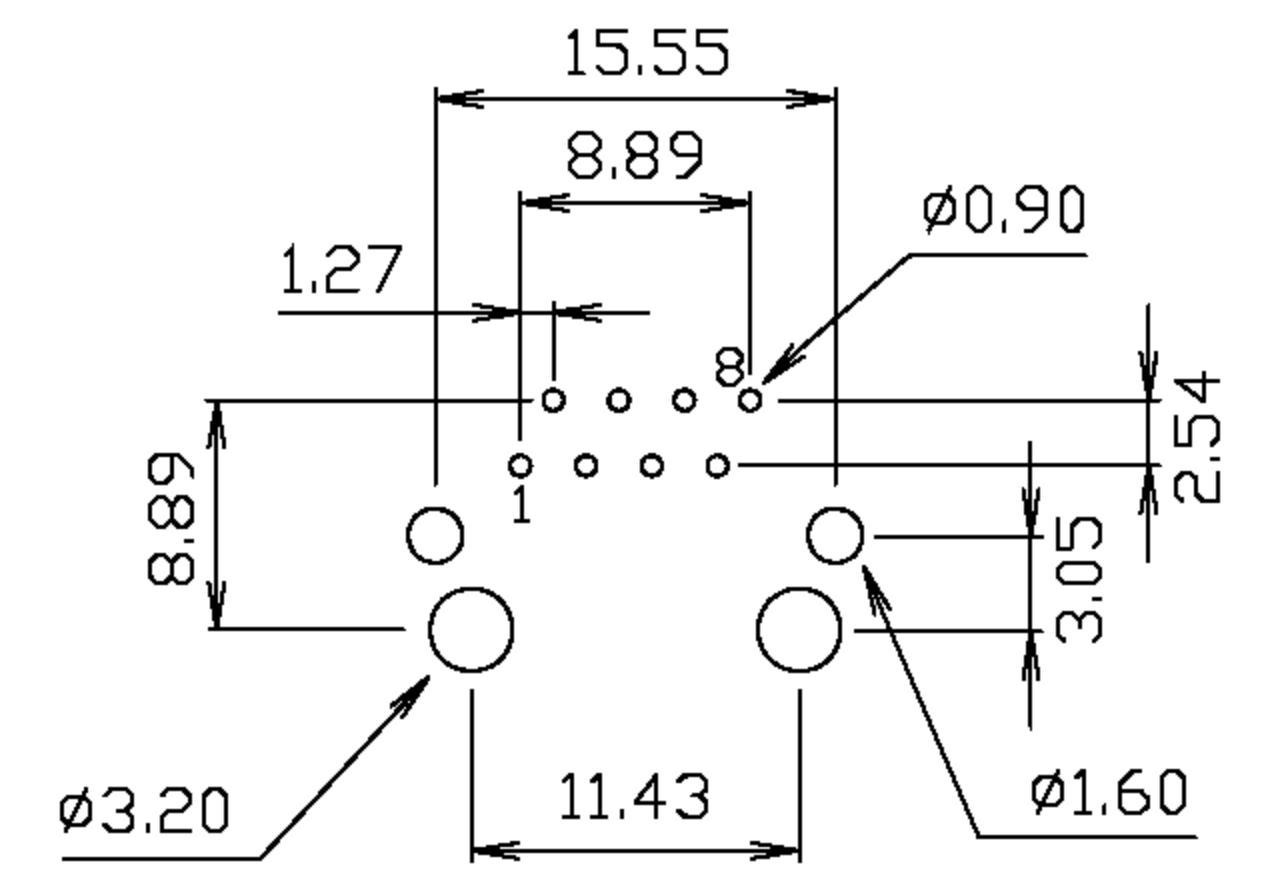
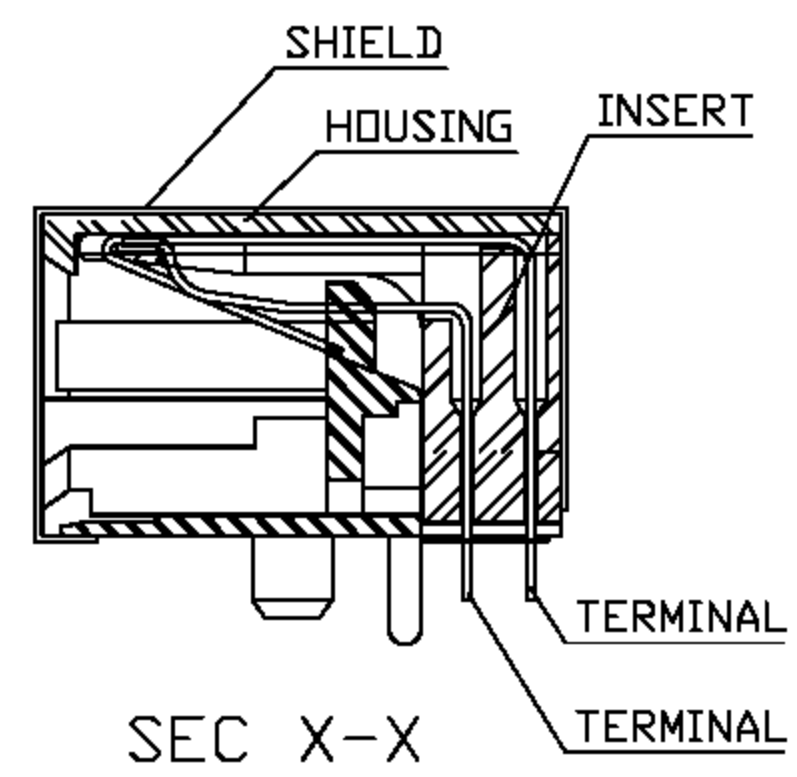
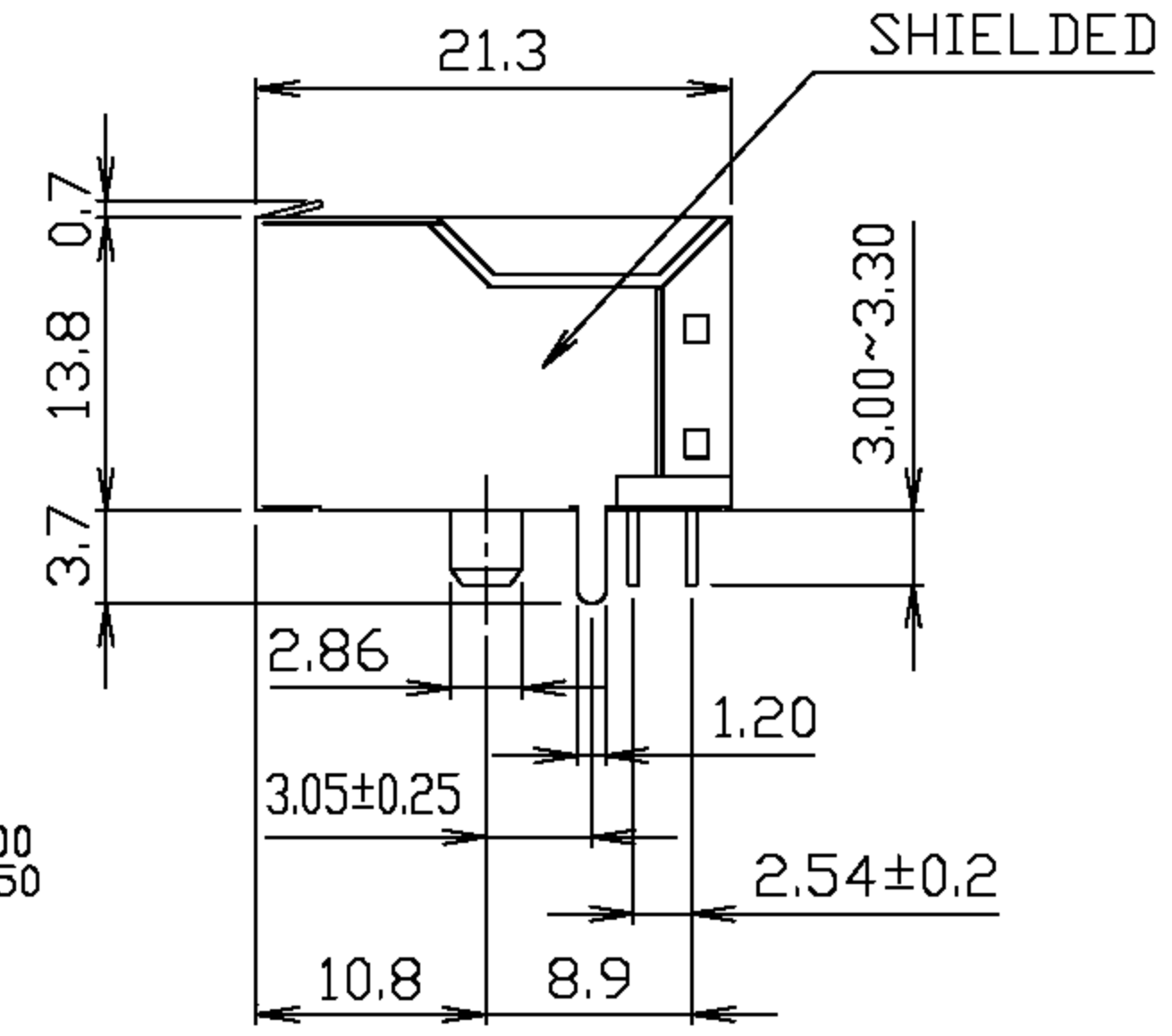
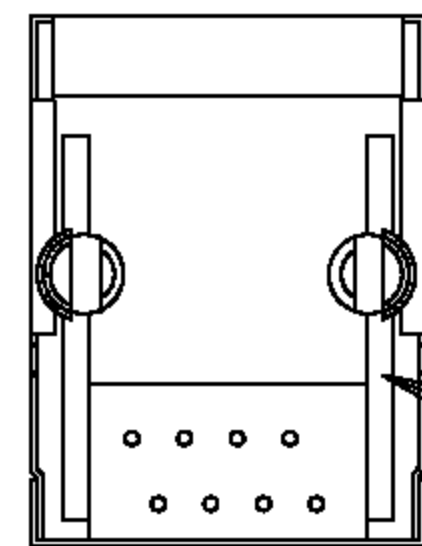
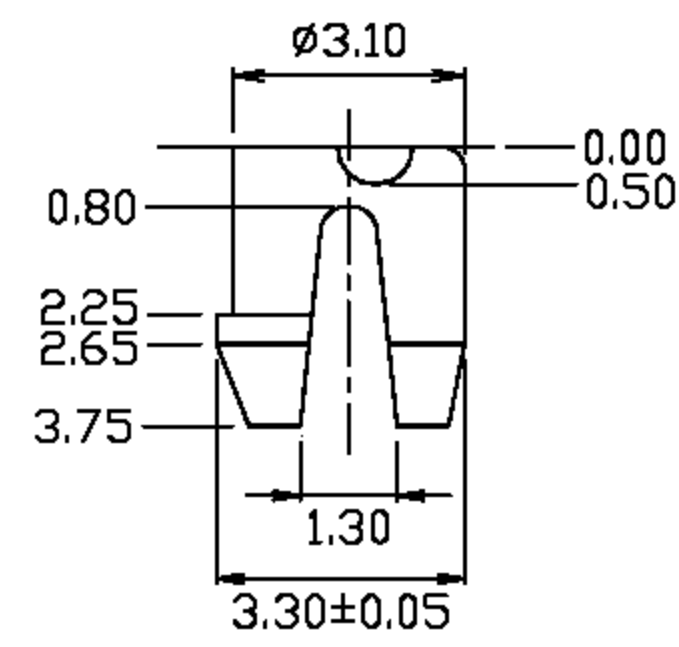
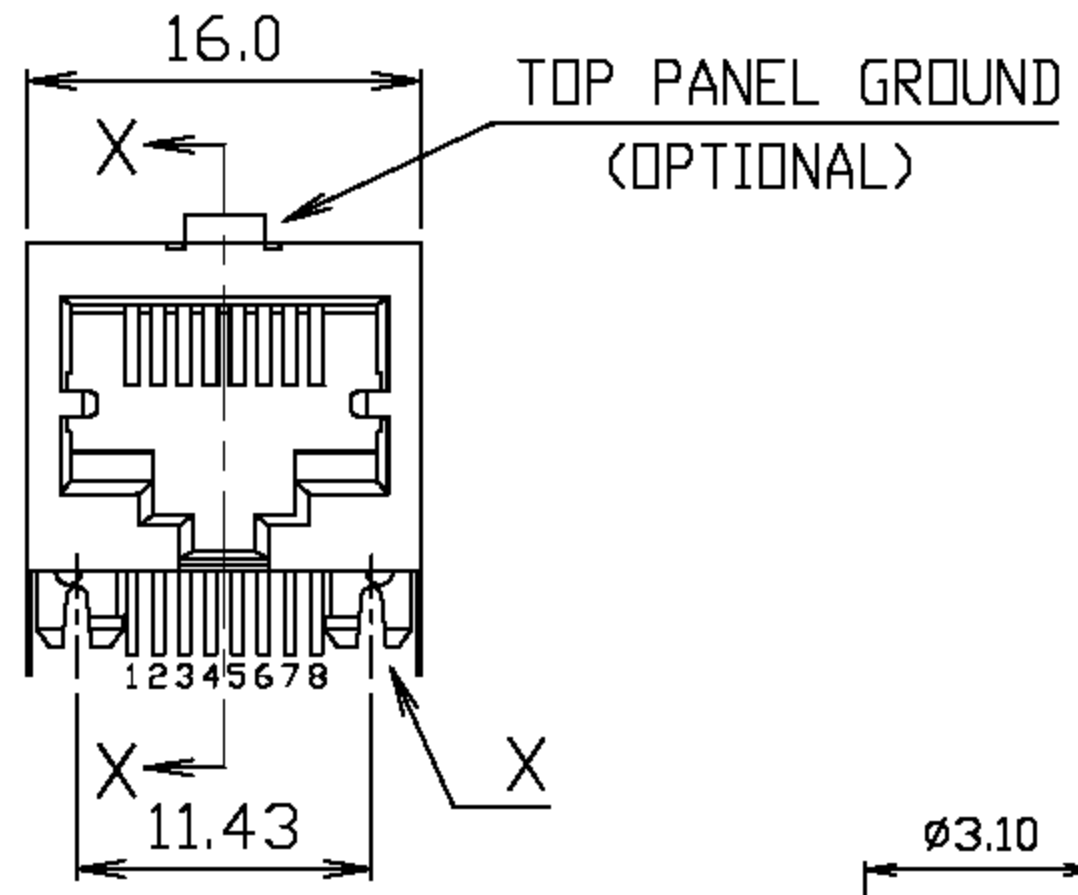


RoHS Compliance



淮洋有限公司 HUIYANG CO., LTD.  
 TEL: 886-2-8261-8986 FAX: 886-2-8261-1885  
 www.hy1688.com.tw 236新北市土城區中央路二段191號10樓之5

|                        |                                   |            |                                       |                          |                    |
|------------------------|-----------------------------------|------------|---------------------------------------|--------------------------|--------------------|
| DO NOT SCALE DRAWING   | TOLERANCES UNLESS OTHERWISE NOTED | INCH       | MM                                    | DR.<br><i>M.L.HUANG</i>  | DATE<br>JUL-28 '09 |
| THIRD ANGLE PROJECTION | LINEAR                            | MM<br>INCH | 00 ± .01<br>000 ± .005<br>0000 ± .002 | CK'D<br><i>M.CHANG</i>   | JUL-28 '09         |
| MM<br>INCH             | ANGLE ± 0° 30'                    | RADII      | + 0.40<br>- 0.15                      | APP'D<br><i>W.J.YANG</i> | JUL-29 '09         |

|  |                   |
|--|-------------------|
| TITLE<br>CAT.5 SINGLE PORT 8POSITION<br>SHIELDED SIDE ENTRY PCB JACK |                   |
| SCALE SIZE DWG.NO.<br>974717   | REV. SHEET<br>5 1 |