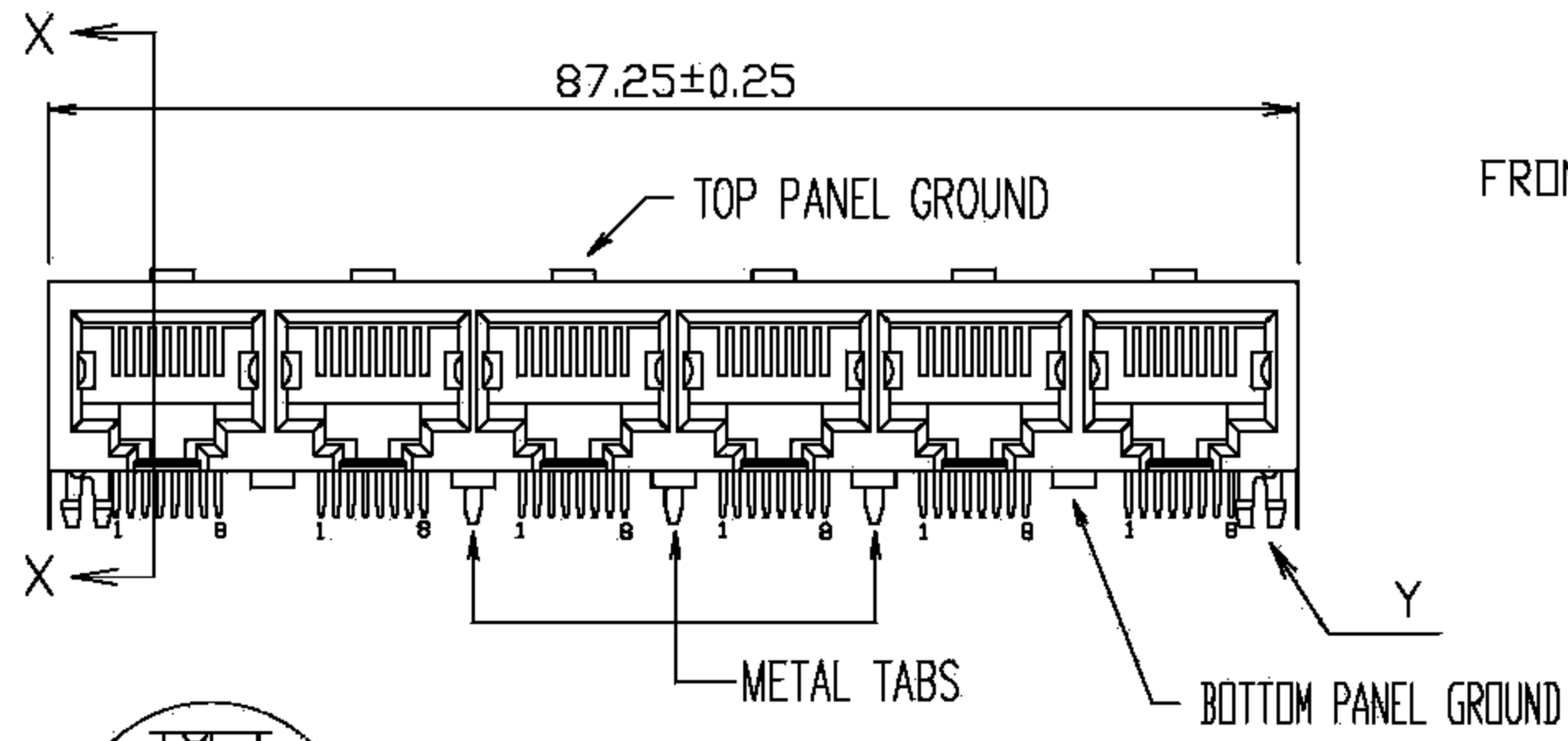
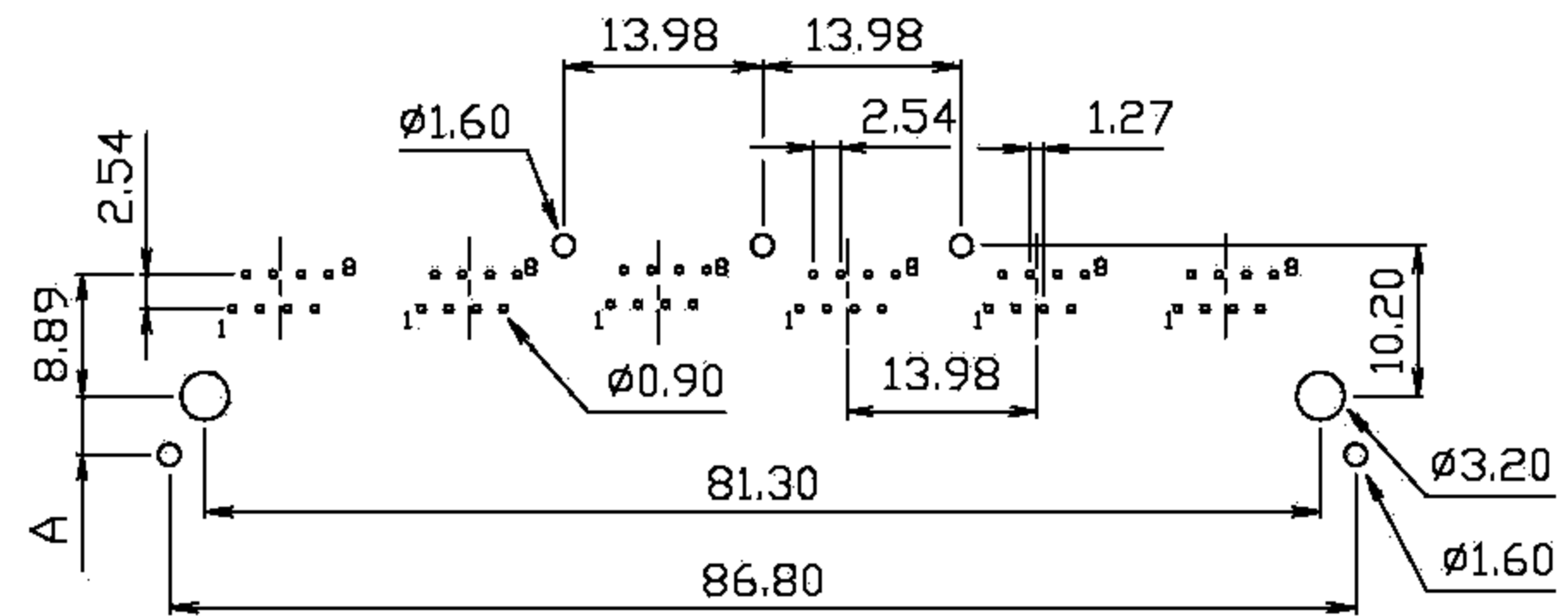
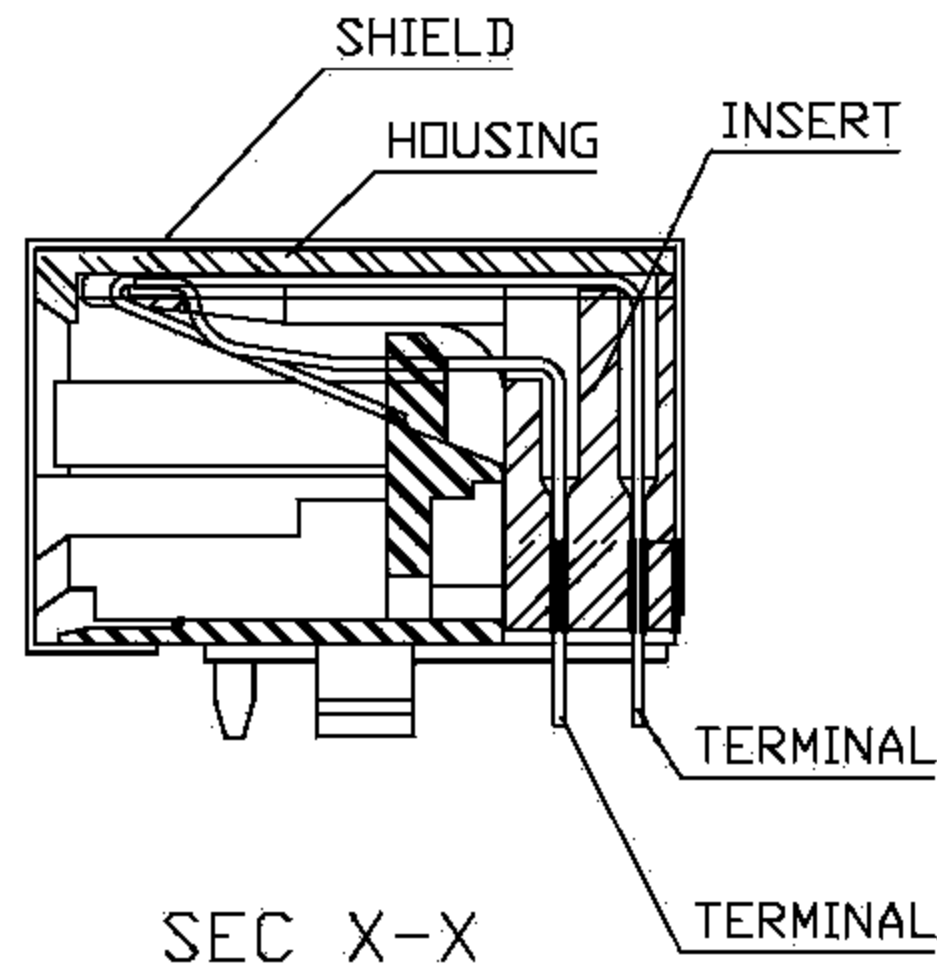
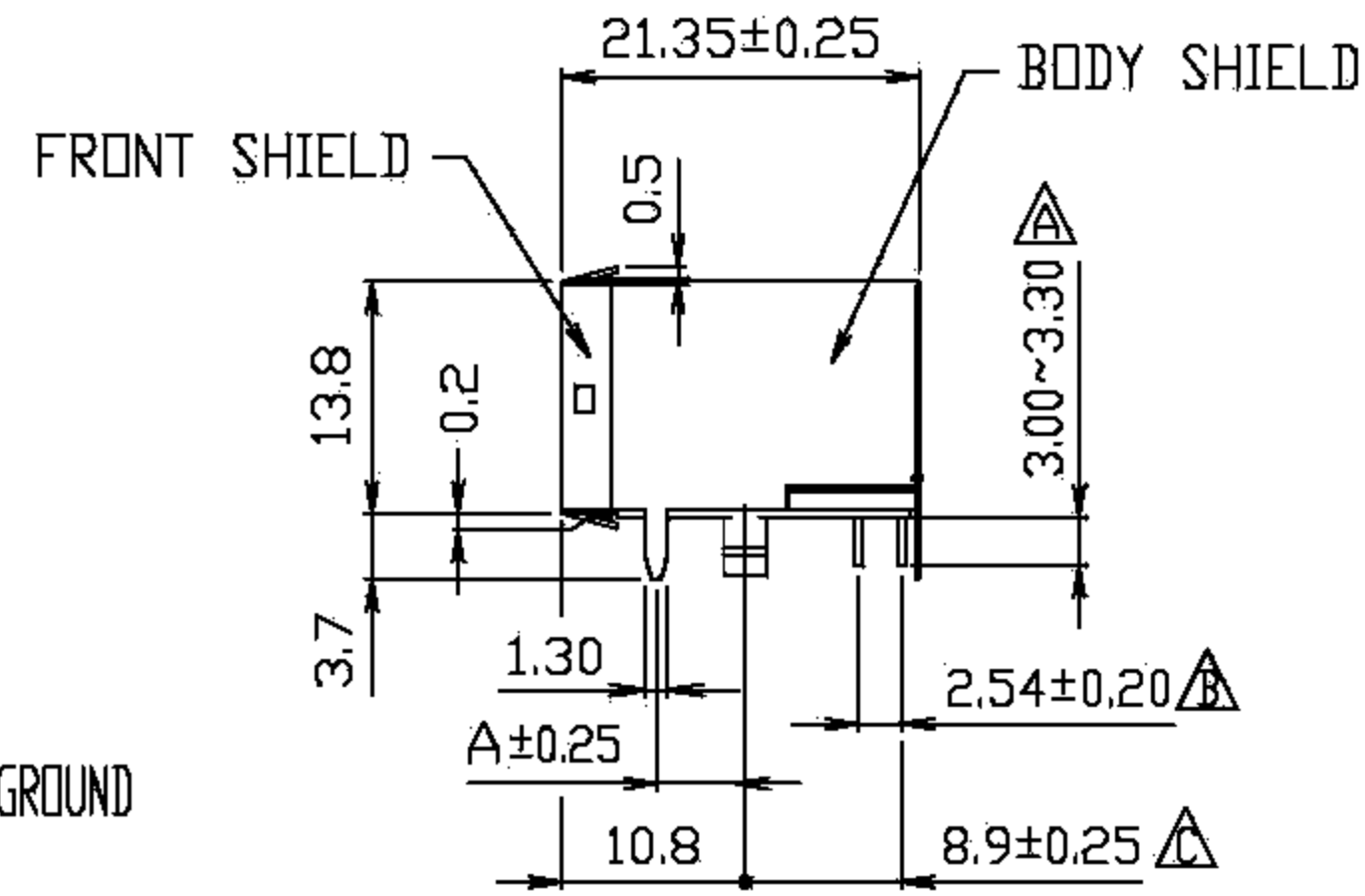
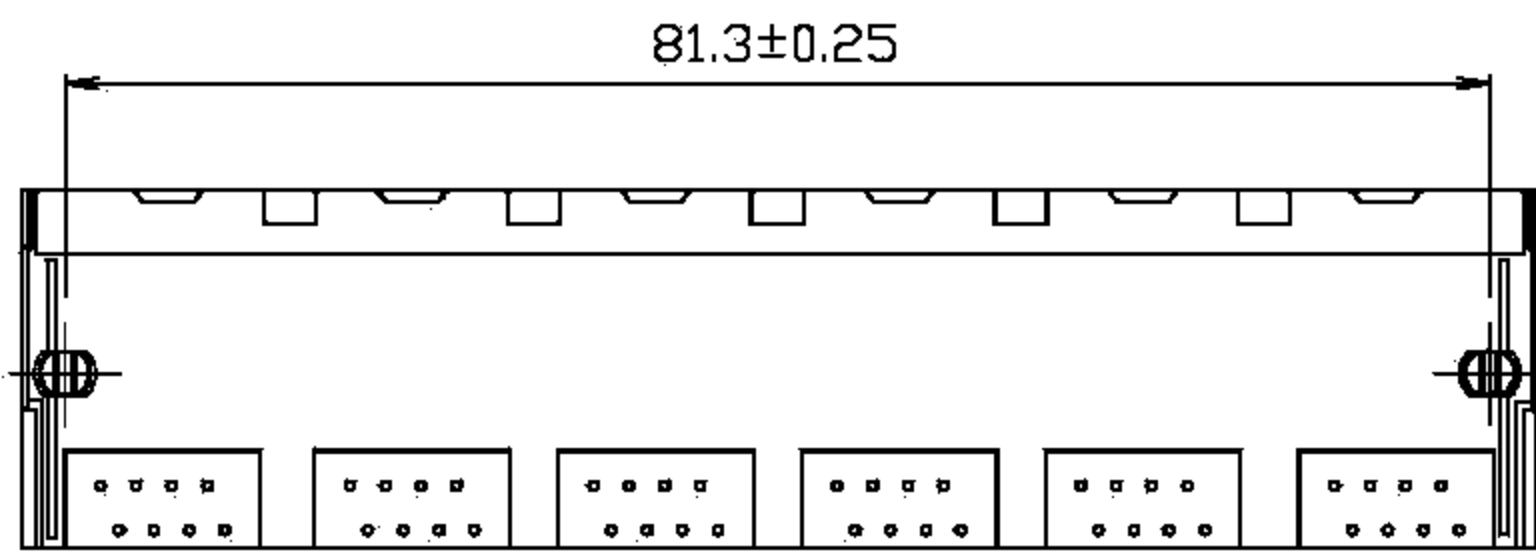


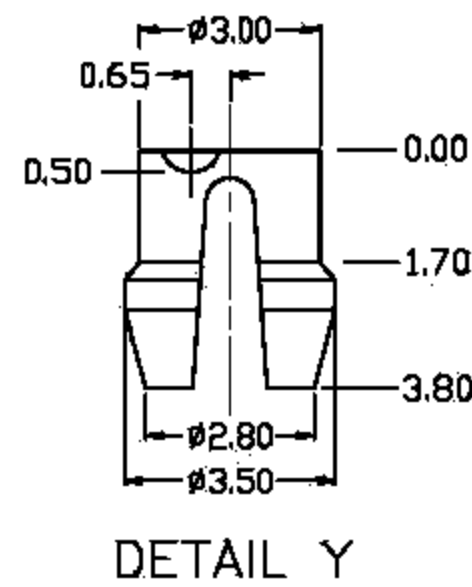
RoHS Compliance



DIAMOND PEGS



PC Board Layout REF.



REVISIONS			
LTR	DESCRIPTION	DATE	APP
△	2.9±0.4	03/09/'00	CHANG
△	2.54±0.25	03/09/'00	CHANG
△	8.9	03/09/'00	CHANG

DO NOT SCALE DRAWING	TOLERANCES UNLESS OTHERWISE NOTED	INCH	MM	DR. CIAN.CI.LUO	DATE FEB-19 '08
THIRD ANGLE PROJECTION	LINEAR	MM INCH	00 ± .01 000 ± .005 0000 ± .002	CK'D M.CHANG	FEB-19 '08
MM INCH	ANGLE ± 0° 30'	RADII	+ 0.40 - 0.15	APP'D W.J.YANG	FEB-20 '08

淮洋有限公司 HUIYANG CO.,LTD.					
TEL : 886-2-8261-8986 FAX : 886-2-8261-1885					
www.hy1688.com.tw 236新北市土城區中央路二段191號10樓之5					
TITLE CAT.5 6PORTS 8POSITION SHIELDED SIDE ENTRY PCB GANGED JACK					
SCALE	SIZE	DWG.NO.	REV.	SHEET	
		974709	3	1	