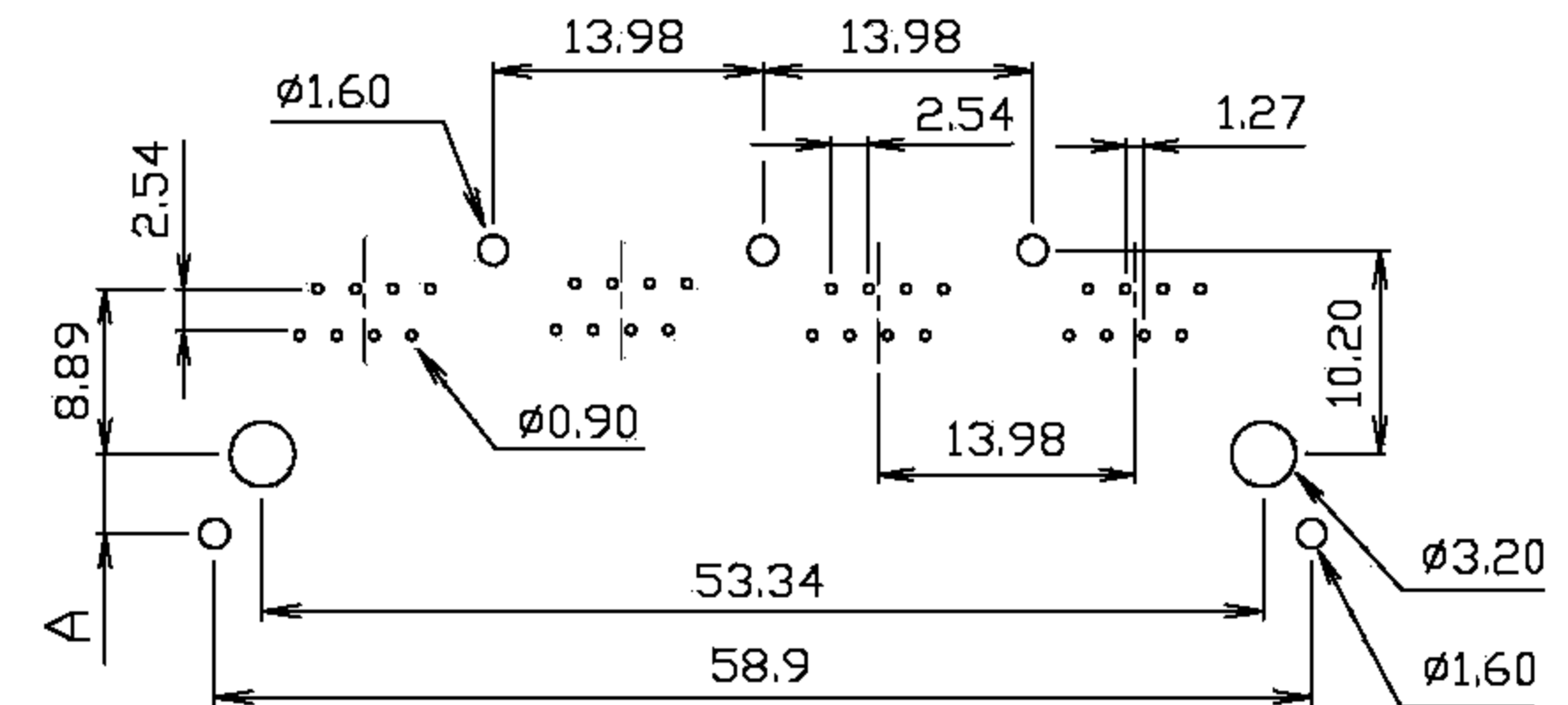
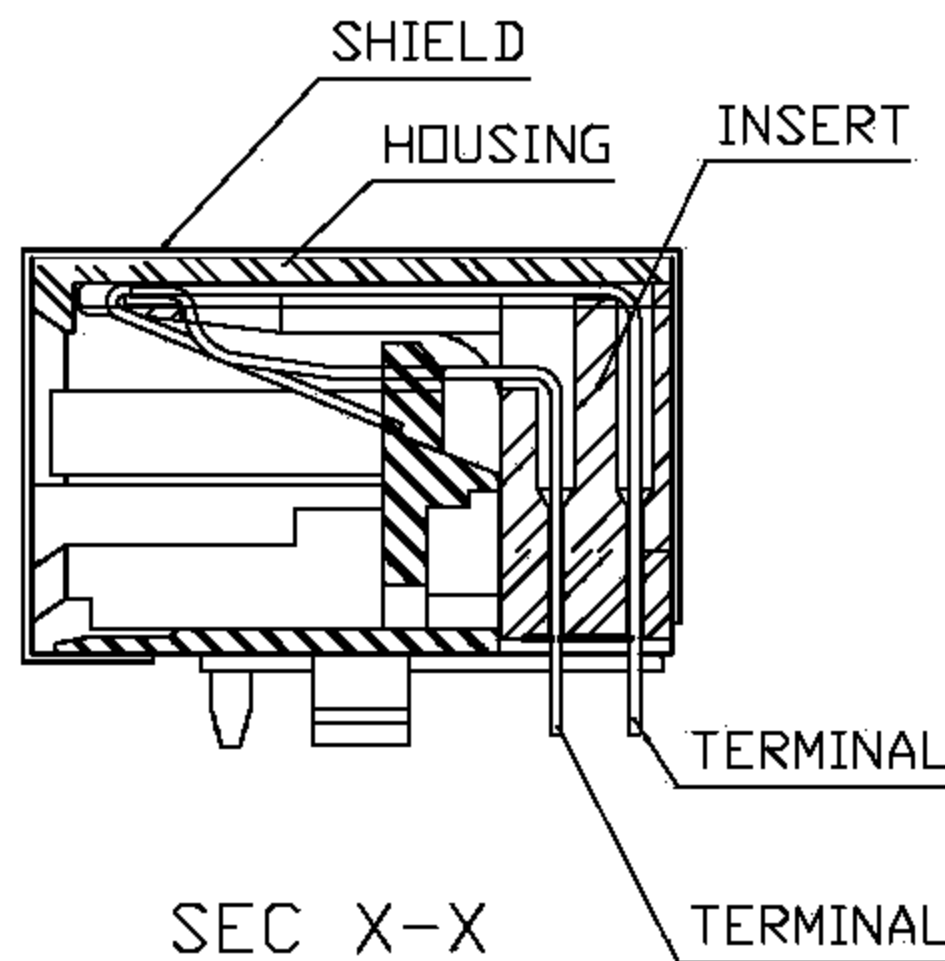
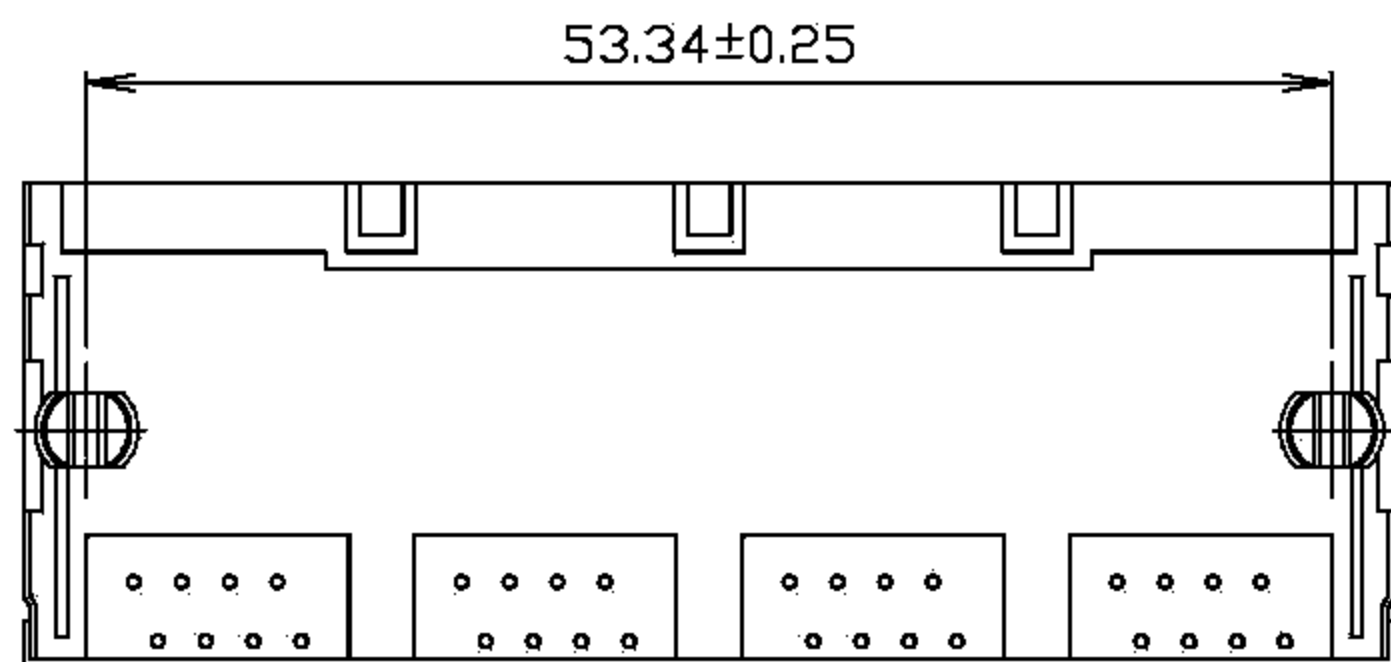
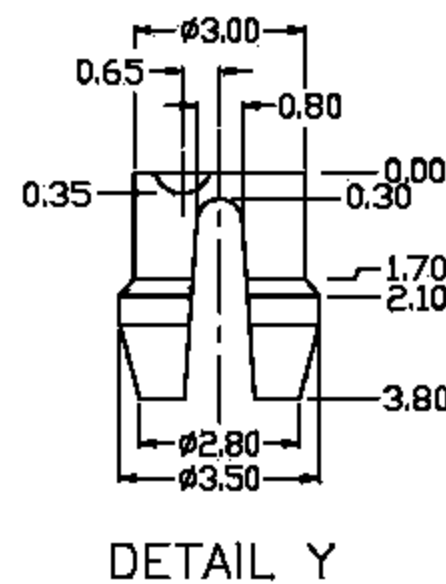


DIAMOND PEGS



PC Board Layout



REVISIONS			
LTR	DESCRIPTION	DATE	APP
△	2.9±0.4	03/09/'00	CHANG
△	2.54±0.25	03/09/'00	CHANG
△	8.9	03/09/'00	CHANG

DO NOT SCALE DRAWING	TOLERANCES UNLESS OTHERWISE NOTED	INCH	MM	DR. M.L.HUANG	DATE SEP-27 '00
THIRD ANGLE PROJECTION	LINEAR	MM INCH	00 ± .01 000 ± .005 0000 ± .002	CK'D M.CHANG	SEP-27 '00
MM INCH	ANGLE ± 0° 30'	RADII	+ 0.40 - 0.15	APP'D W.J.YANG	OCT-05 '00

淮洋有限公司 HUIYANG CO.,LTD. TEL : 886-2-8261-8986 FAX : 886-2-8261-1885 www.hy1688.com.tw 236新北市土城區中央路二段191號10樓之5					
TITLE CAT.5 4PORTS 8POSITION SHIELDED SIDE ENTRY PCB GANGED JACK					
SCALE	SIZE	DWG.NO.	REV.	SHEET	
		974705	2	1	