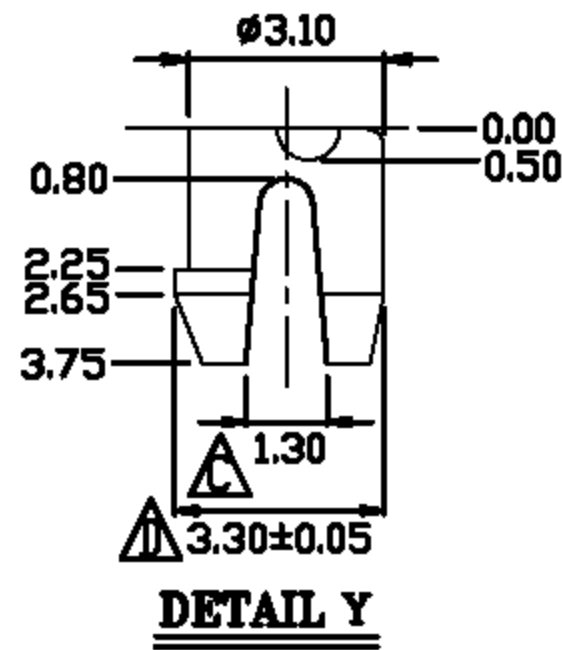
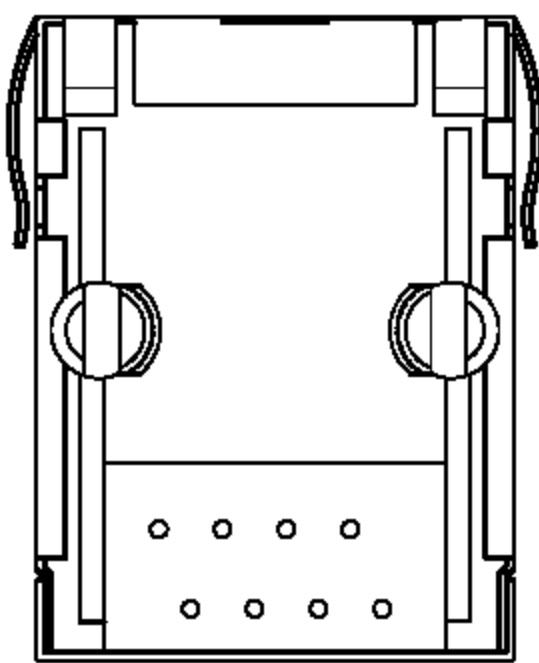
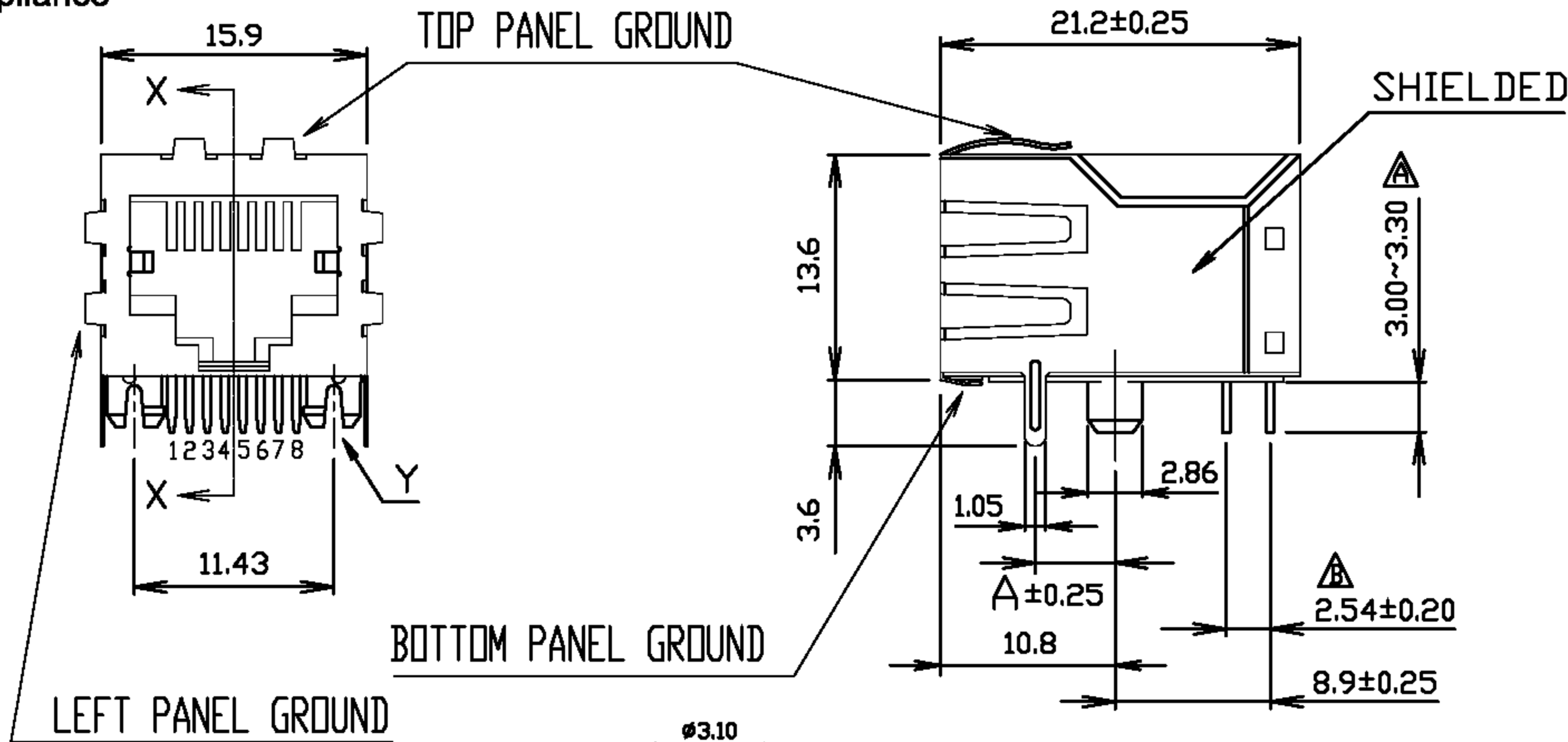
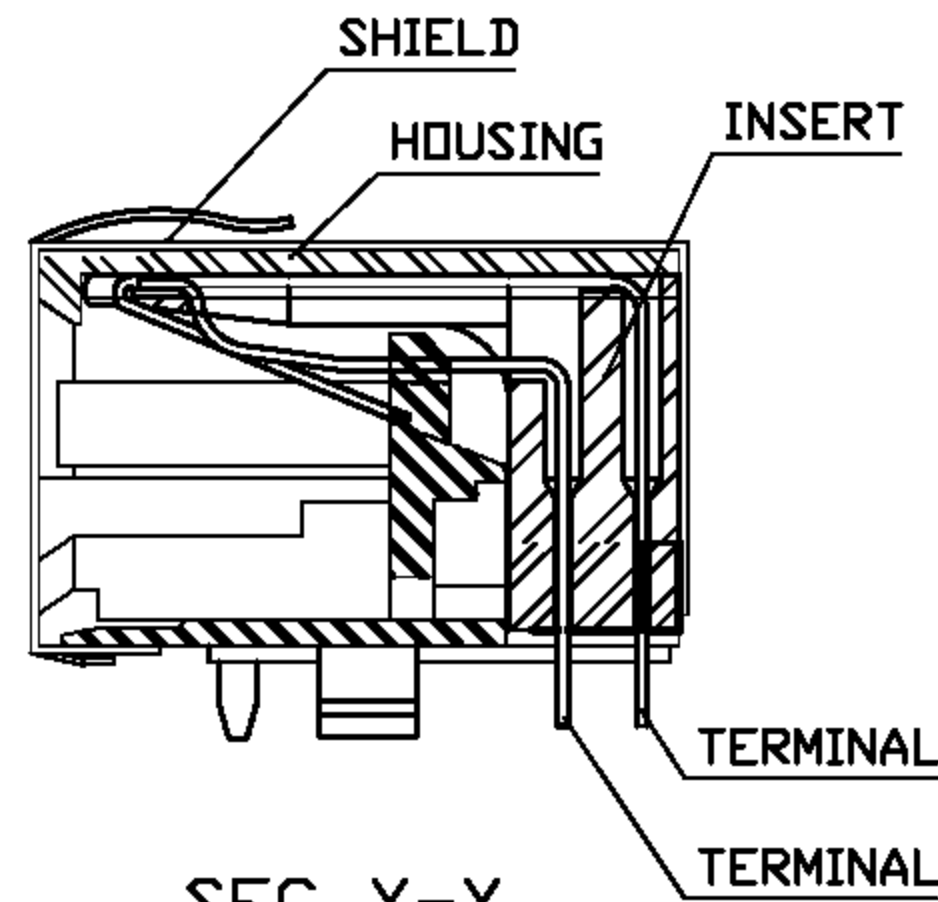


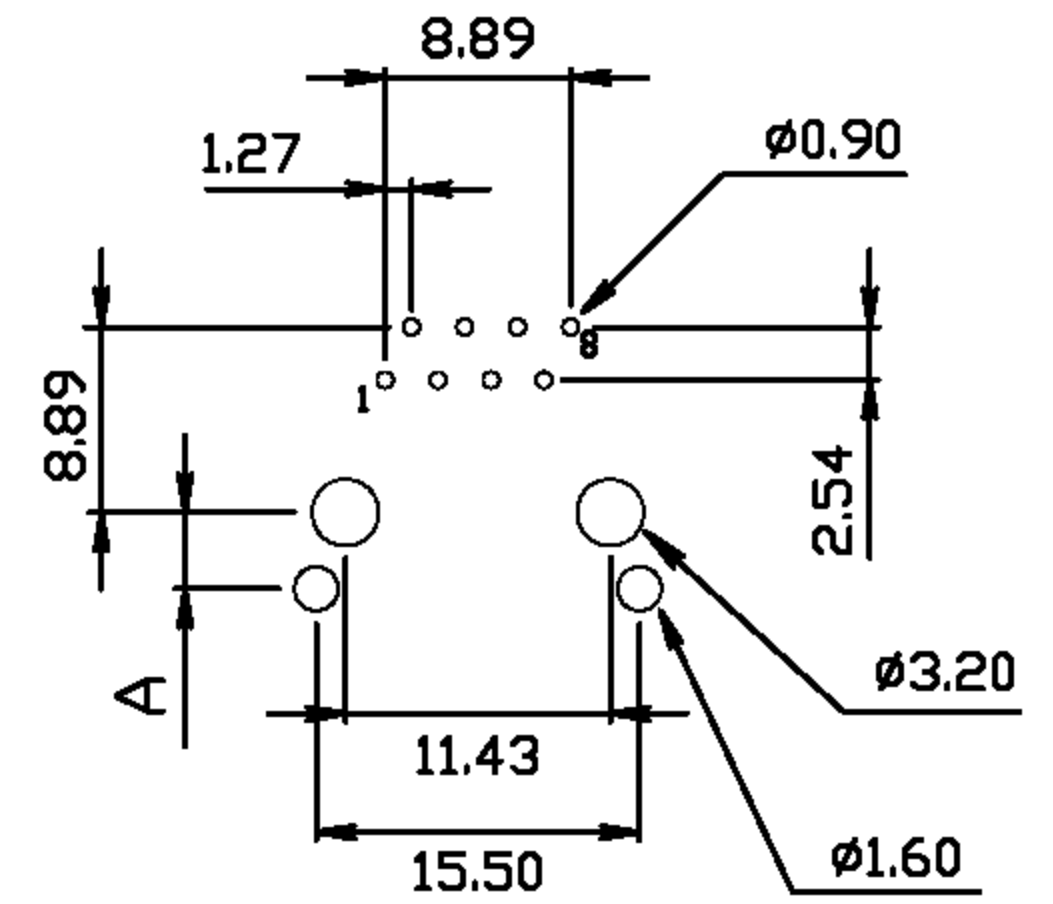
RoHS Compliance



RIGHT PANEL GROUND



SEC X-X



PC Board Layout Ref.

REVISIONS

LTR	DESCRIPTION	DATE	APP
△	2.9±0.4	03/09/'00	CHANG
△	2.54±0.25	03/09/'00	CHANG
△	0.80	05/26/'00	CHANG
△	3.33~3.45	05/26/'00	CHANG

DO NOT SCALE DRAWING	TOLERANCES UNLESS OTHERWISE NOTED	INCH	MM	DR.	DATE
THIRD ANGLE PROJECTION	LINEAR	MM INCH	00 ± .01 000 ± .005 0000 ± .002	CK'D M.CHANG	FEB-22 '08
	ANGLE ± 0° 30'	RADII	+ 0.40 - 0.15	APP'D W.J.YANG	FEB-25 '08

淮洋有限公司 HUIYANG CO.,LTD. TEL : 886-2-8261-8986 FAX : 886-2-8261-1885 www.hy1688.com.tw 236新北市土城區中央路二段191號10樓之5					
TITLE CAT.5 SINGLE PORT 8POSITION SHIELDED SIDE ENTRY PCB JACK					
SCALE	SIZE	DWG.NO.	REV.	SHEET	
		974701	4	1	