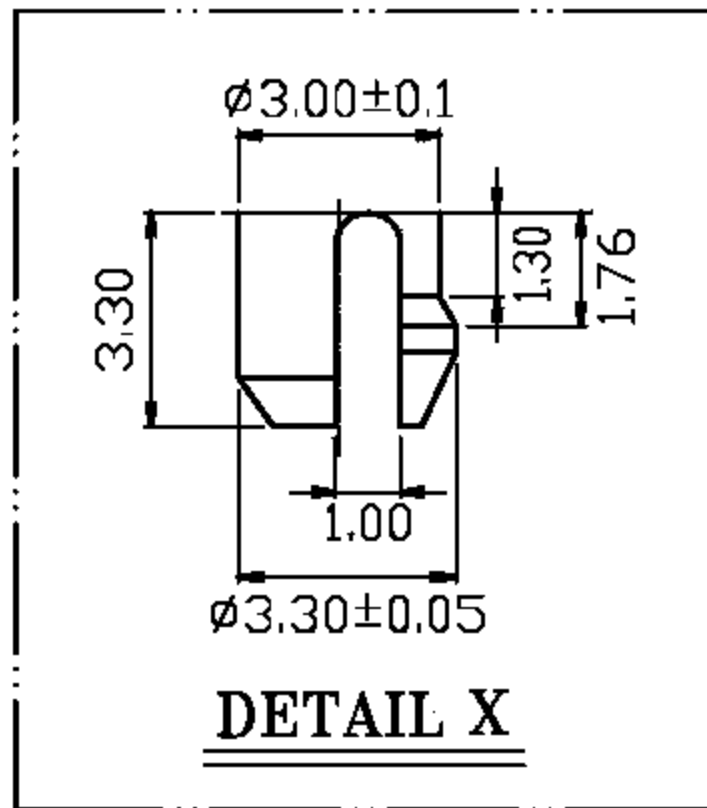
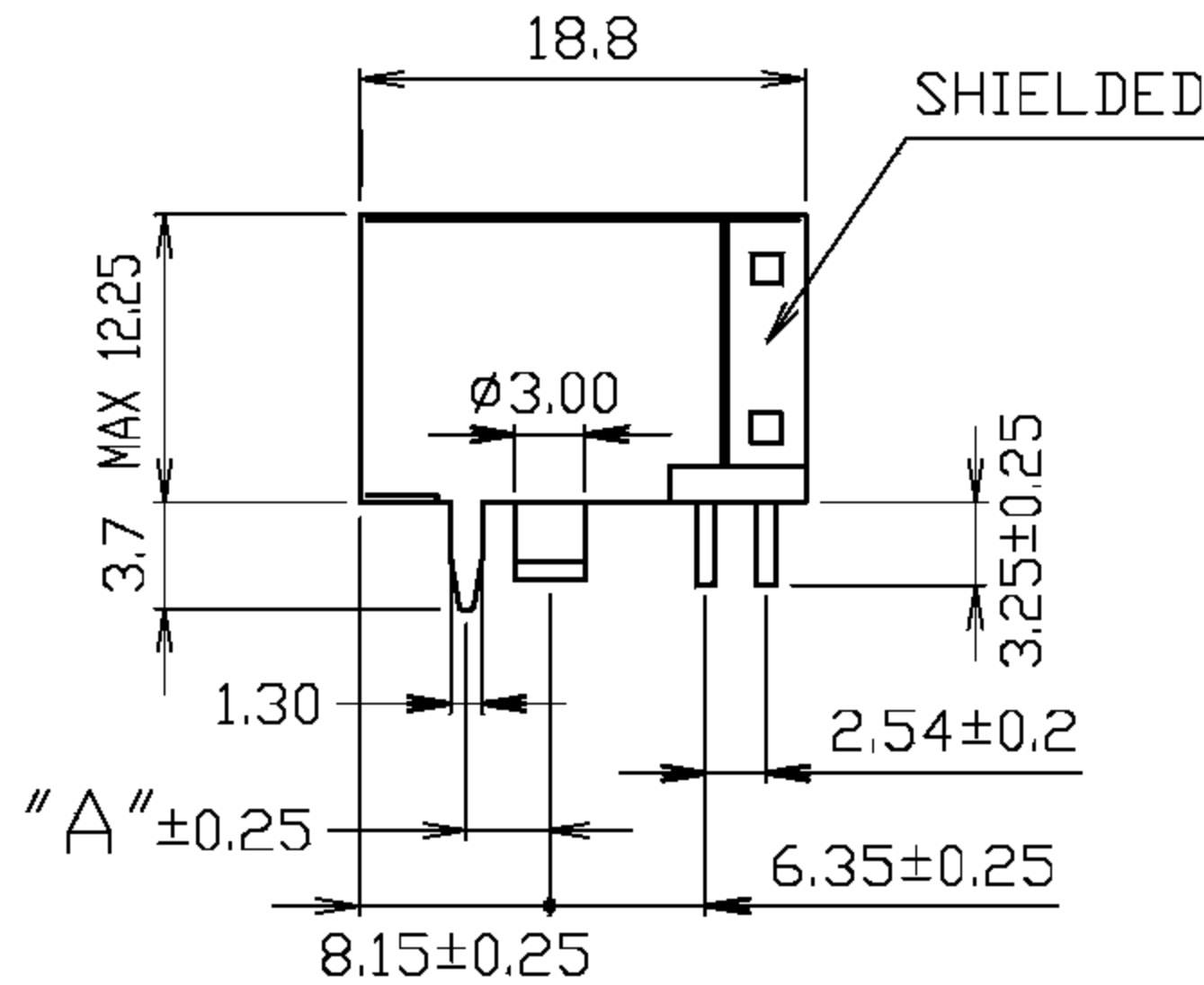
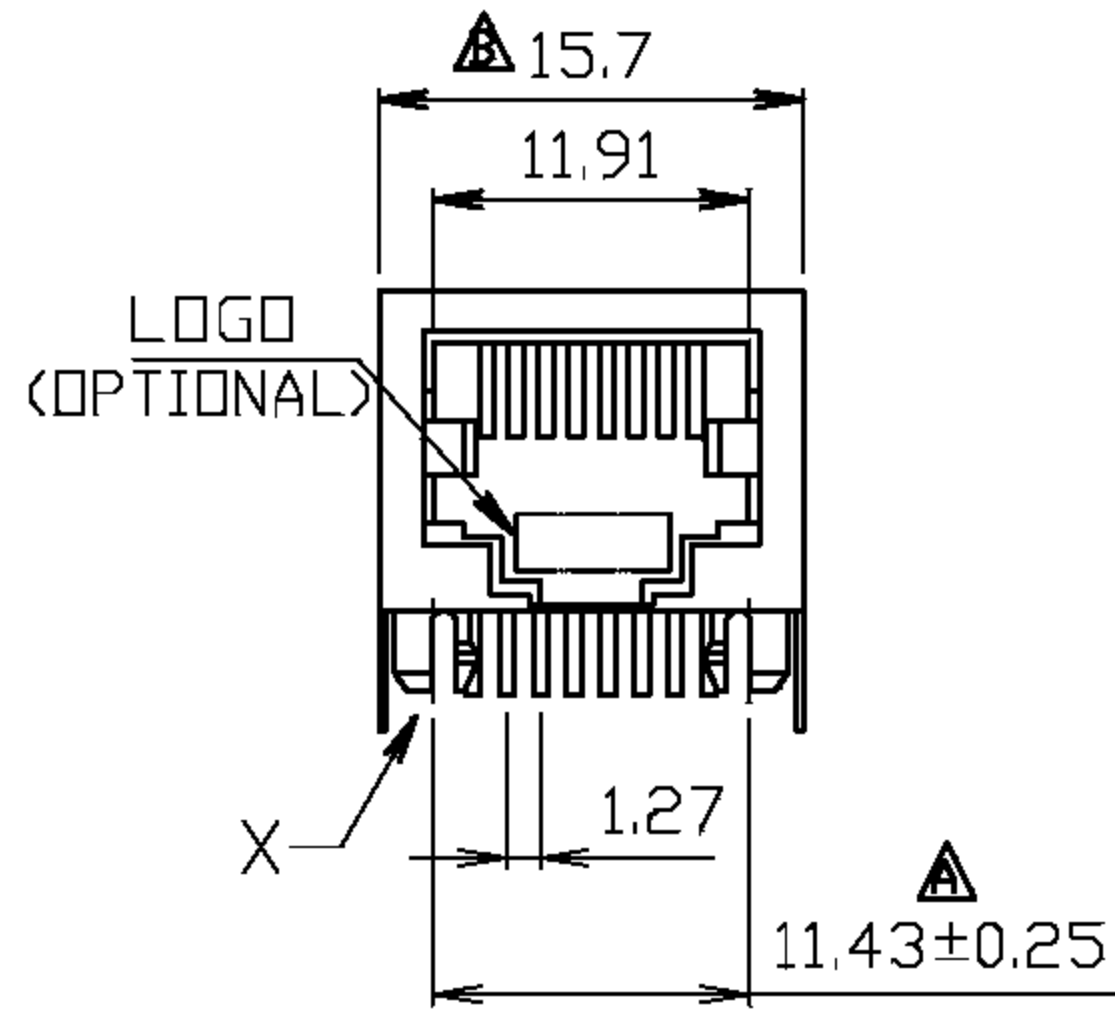
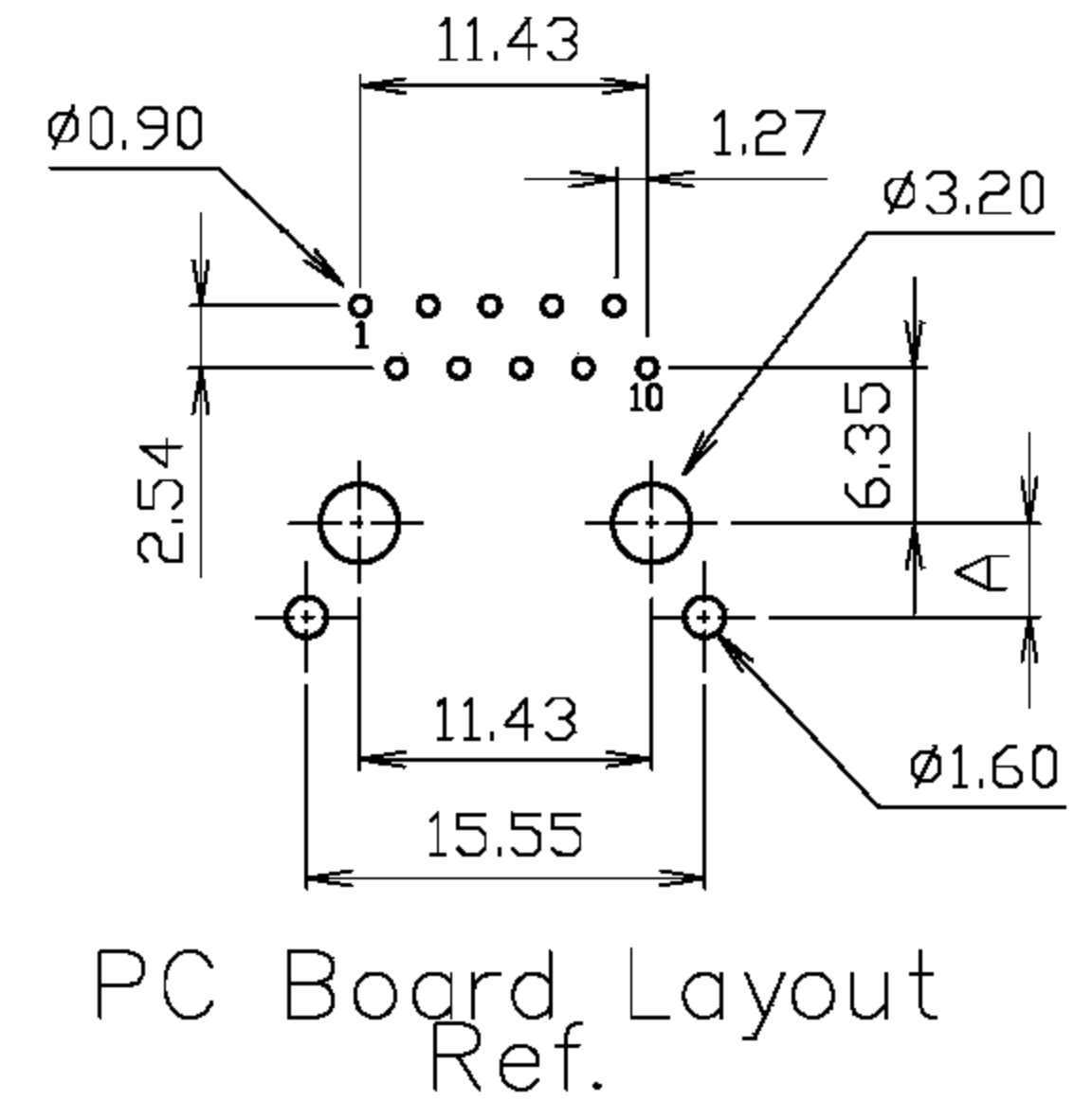
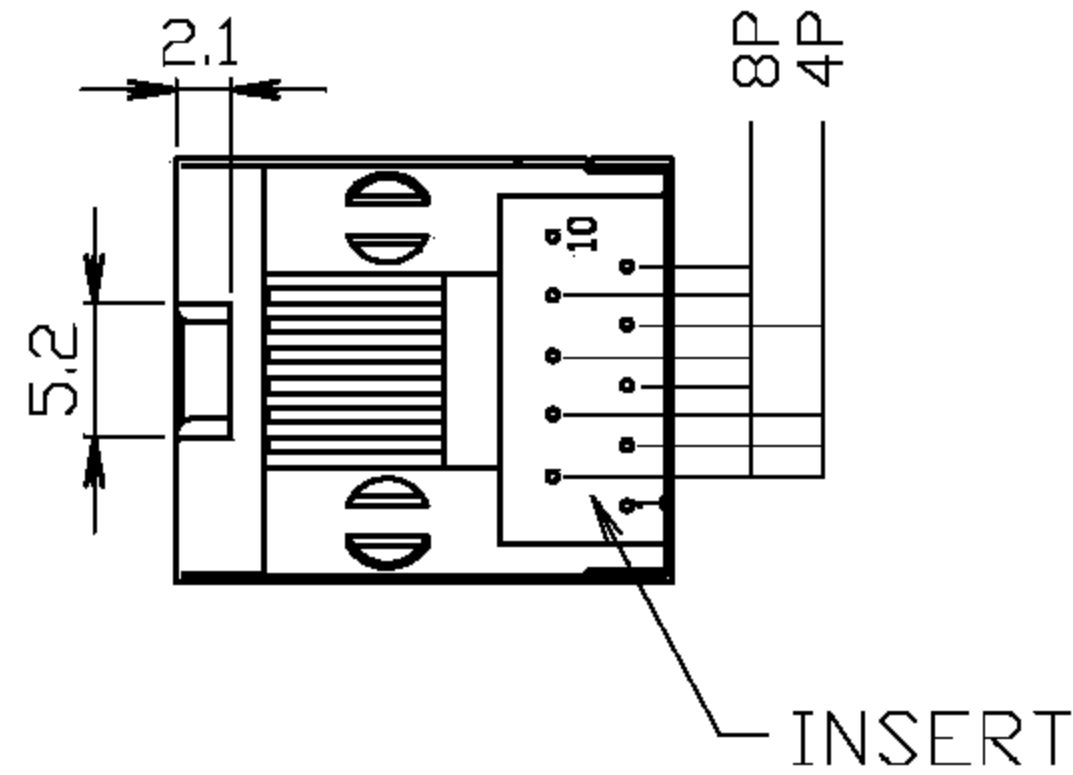


RoHS Compliance



REVISIONS			
LTR	DESCRIPTION	DATE	APP
△	CAR 11.43	01/22/09	CHANG
△	CAR 15.9	07/03/09	CHANG



DO NOT SCALE DRAWING	TOLERANCES UNLESS OTHERWISE NOTED	INCH	MM	DR. CIAN.CI.LUO	DATE JUL-03 '09
THIRD ANGLE PROJECTION	LINEAR	MM INCH	00 ± .01 000 ± .005 0000 ± .002	CK'D M.CHANG	JUL-03 '09
MM INCH	ANGLE ± 0° 30'	RADII	+ 0.40 - 0.15	APP'D W.J.YANG	JUL-04 '09

淮洋有限公司 HUIYANG CO.,LTD. TEL : 886-2-8261-8986 FAX : 886-2-8261-1885 www.hy1688.com.tw 236新北市土城區中央路二段191號10樓之5			
TITLE 10 & 8POSITION SIDE ENTRY VERY LOW PROFILE, SHIELDED PCB JACK			
SCALE	SIZE	DWG.NO.	REV. SHEET
		974302	5 1