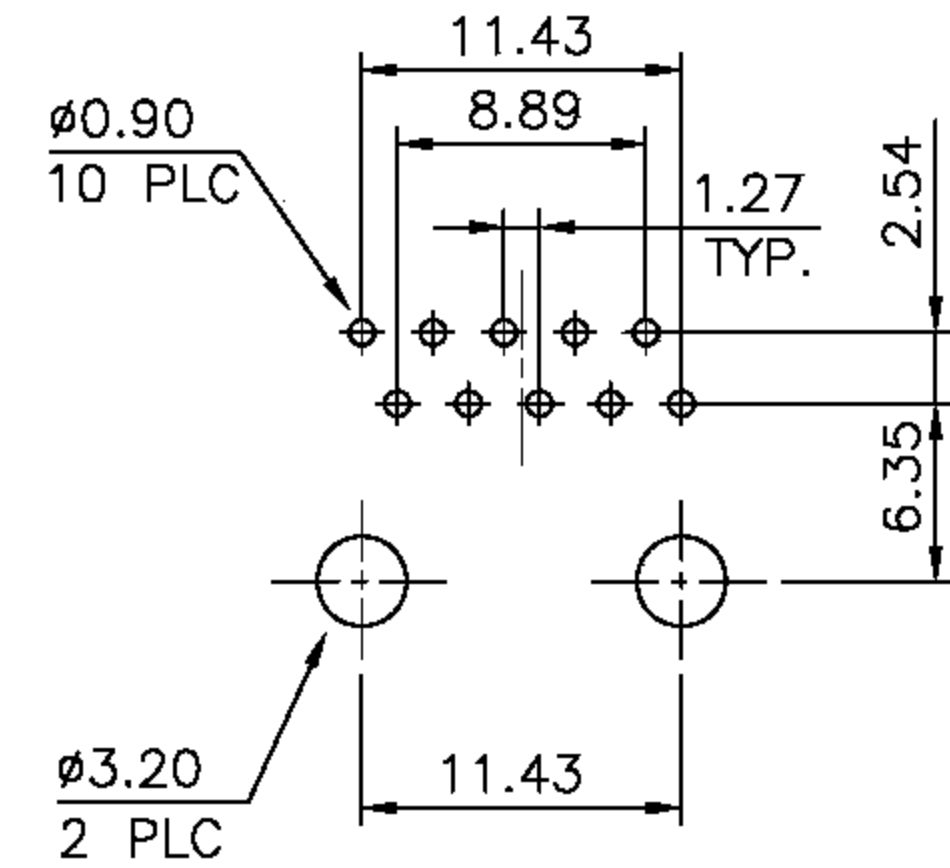
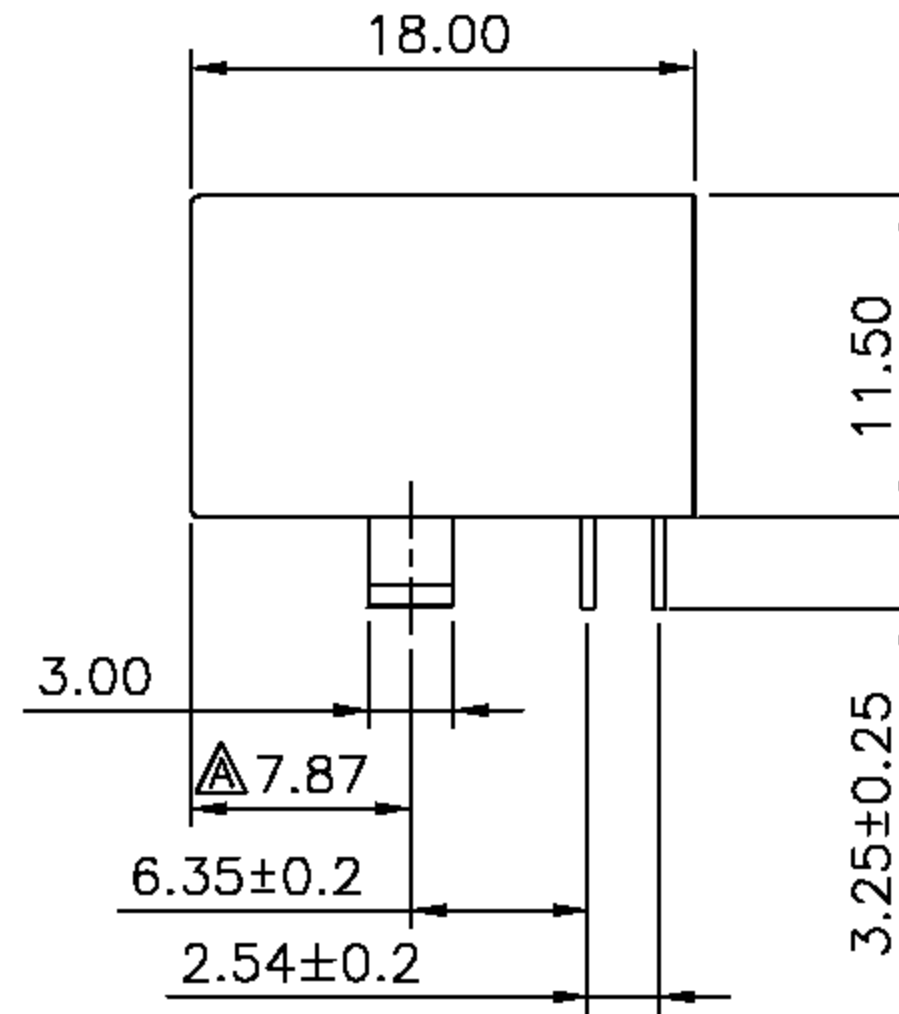
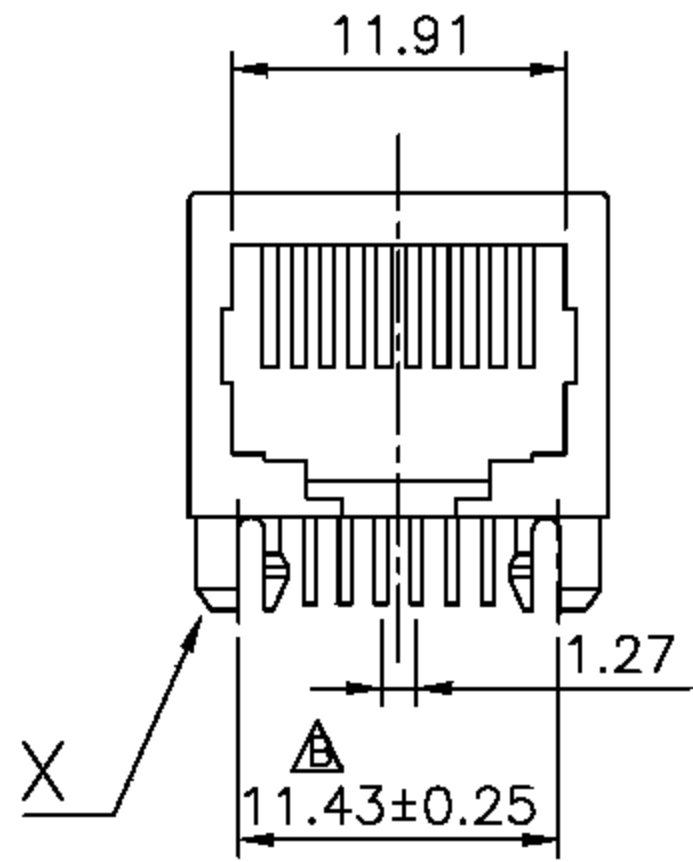
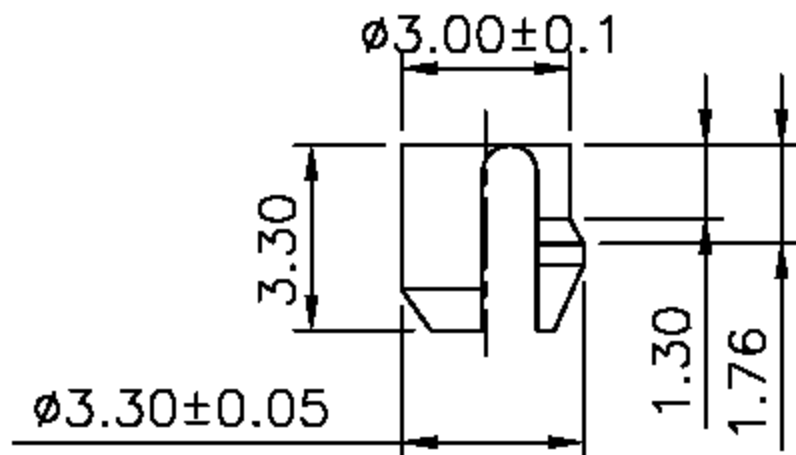
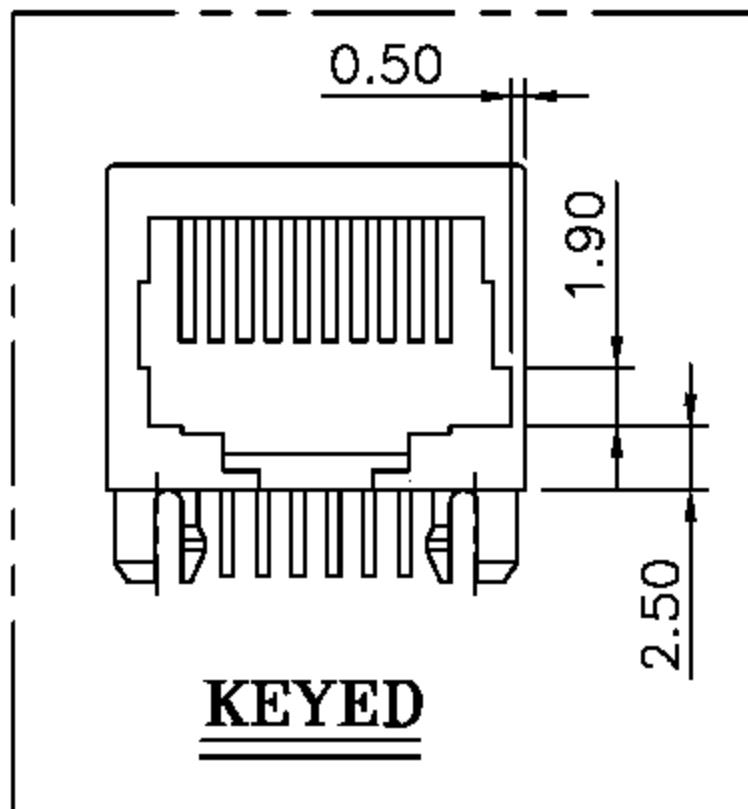


RoHS Compliance

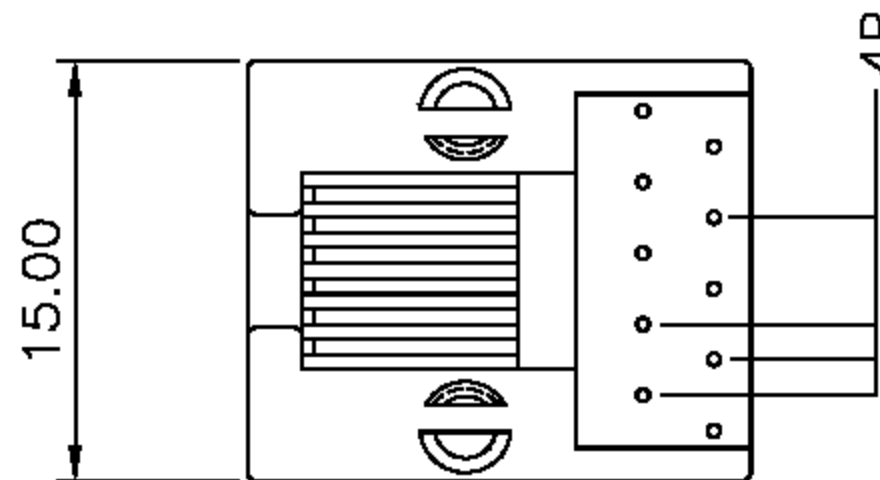
REVISIONS			
LTR	DESCRIPTION	DATE	APP
△	7.85	08/20/'03	CHANG
△	CAR 11.43	01/22/'09	CHANG



PCB Layout
Ref.



DETAIL X



DO NOT SCALE
DRAWING

TOLERANCES UNLESS
OTHERWISE NOTED

INCH

MM

DR.

DATE

淮洋有限公司 HUI YANG CO., LTD.

TEL : 886-2-8261-8986 FAX : 886-2-8261-1885

www.hy1688.com.tw 236新北市土城區中央路二段191號10樓之5

THIRD ANGLE PROJECTION

LINEAR $\frac{\text{MM}}{\text{INCH}}$

00 ± .01
000 ± .005
0000 ± .002

0.0 ± 0.25
0.00 ± 0.13
0.000 ± 0.05

CK'D

FEB-24 '09

TITLE 10 & 8 POSITION, SIDE ENTRY
VERY LOW PROFILE, SHIELDLESS PCB JACK

MM
INCH

ANGLE ± 0° 30'

RADII

+ 0.40
- 0.15

APP'D

FEB-24 '09

SCALE SIZE DWG.NO.

974301

REV.

6

SHEET

1