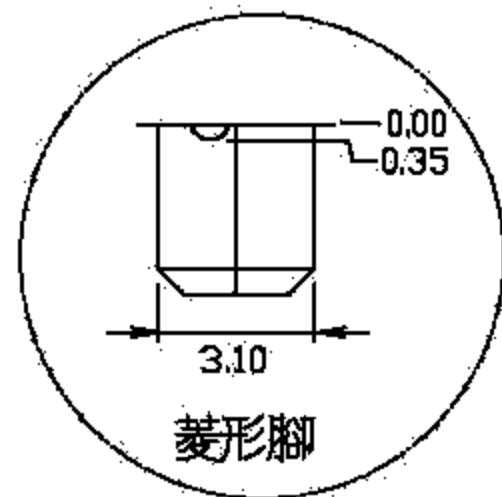
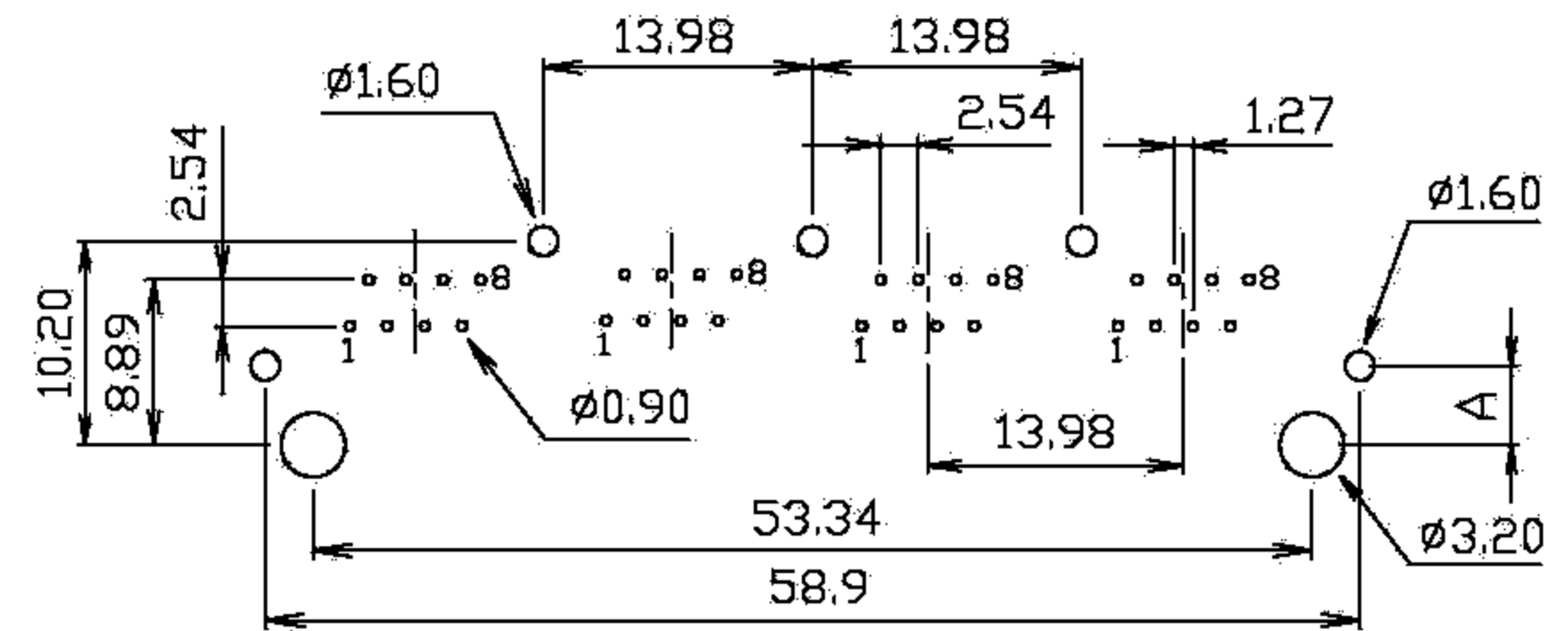
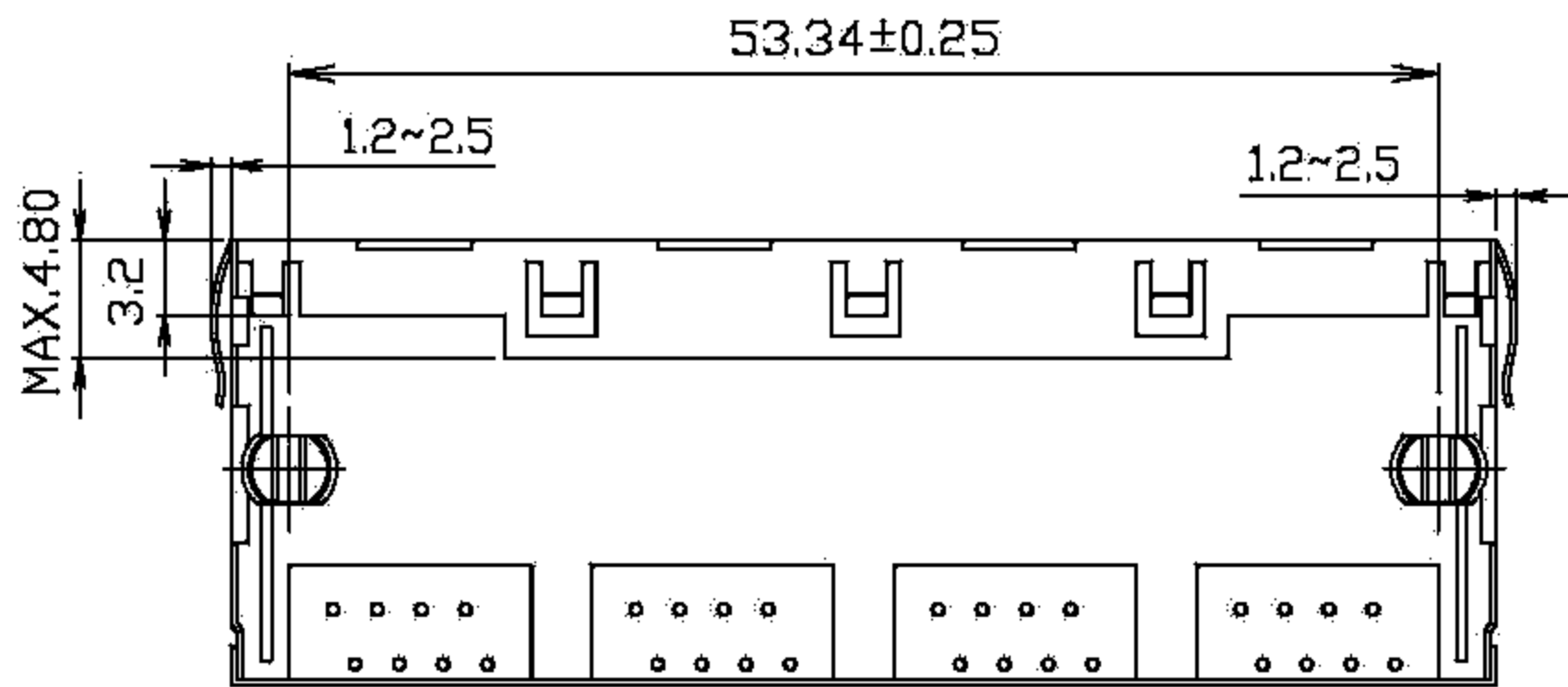
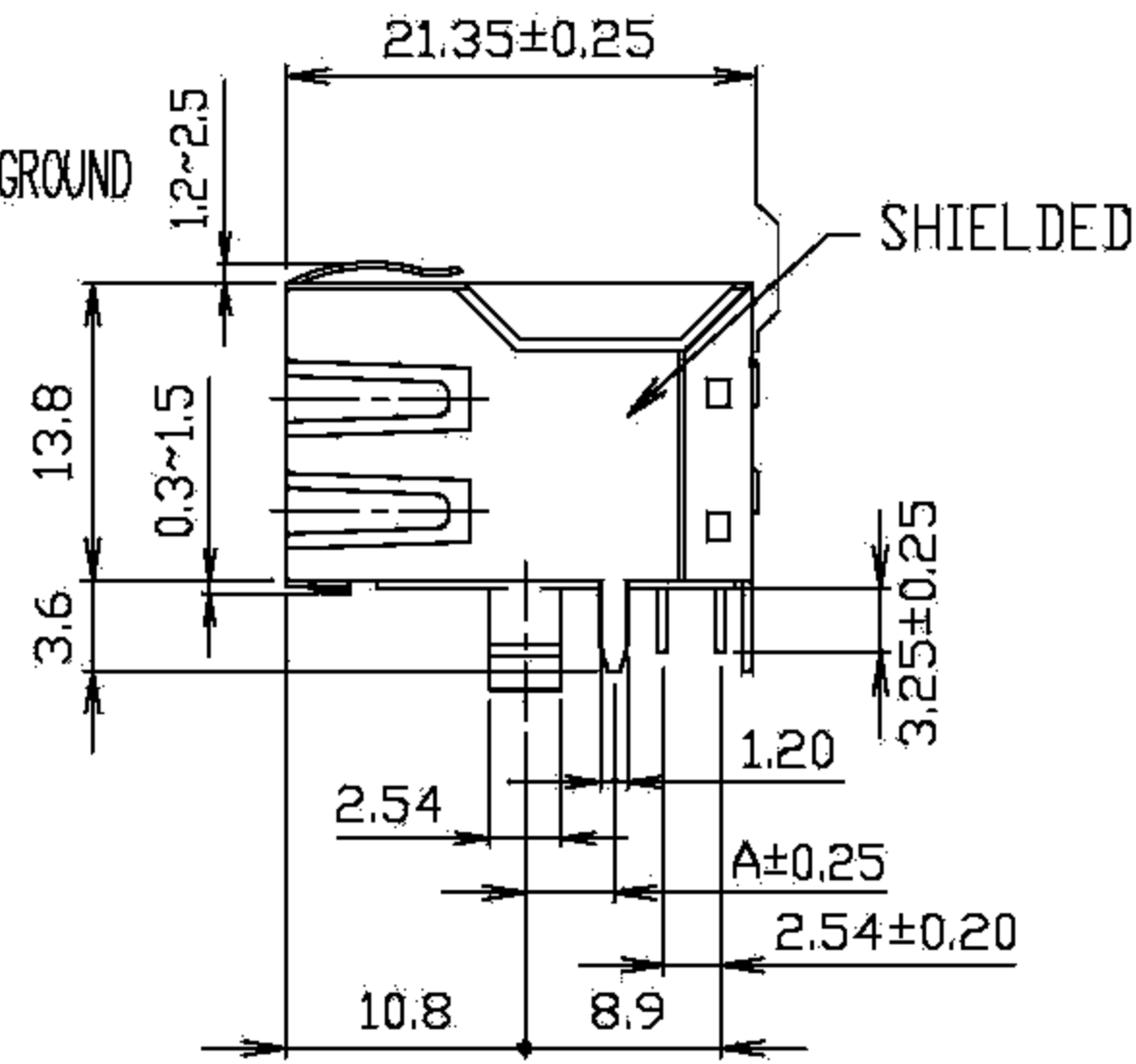
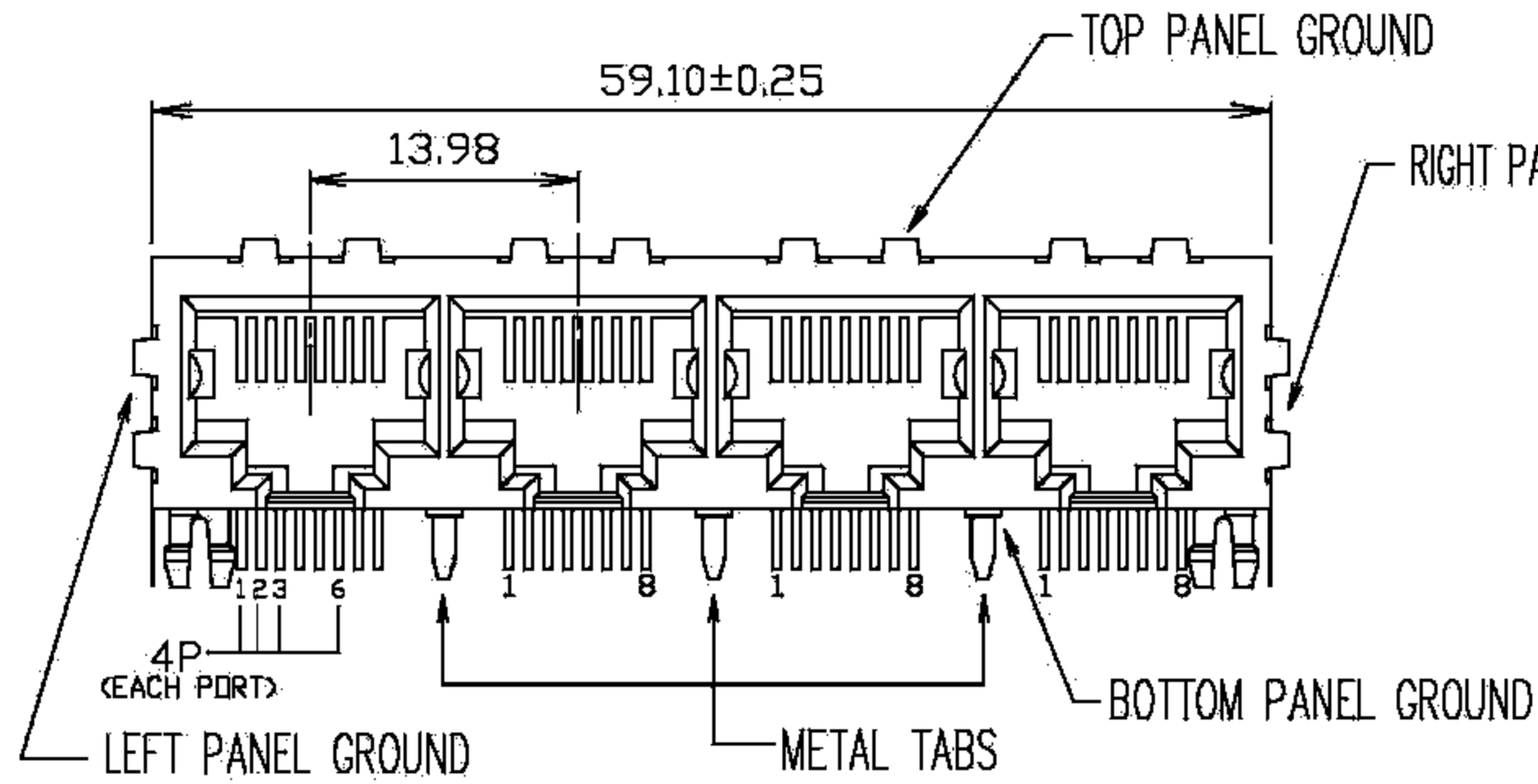
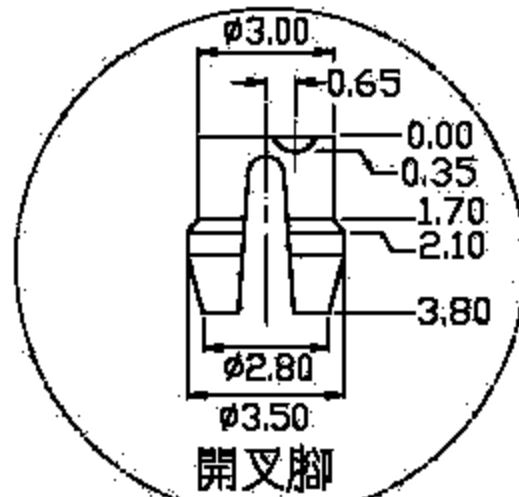


RoHS Compliance



DIAMOND PEGS



SPLIT-PEGS

PC Board Layout
Ref.

DO NOT SCALE DRAWING	TOLERANCES UNLESS OTHERWISE NOTED	INCH	MM	DR. <i>M.L.HUANG</i>	DATE APR-21 '09	淮洋有限公司 HUI YANG CO., LTD. TEL : 886-2-8261-8986 FAX : 886-2-8261-1885 www.hy1688.com.tw 236 新北市土城區中央路二段191號10樓之5				
THIRD ANGLE PROJECTION	LINEAR	MM INCH	0.0 ± 0.25 0.00 ± 0.13 0.000 ± 0.05	CK'D <i>M.CHANG</i>	APR-21 '09	TITLE 4 PORTS 8 POSITION SHIELDED S-P.G. FLAT PIN, SIDE ENTRY PCB GANGED JACK				
MM INCH	ANGLE ± 0° 30'	RADII	+ 0.40 - 0.15	APP'D <i>W.J.YANG</i>	APR-21 '09	SCALE	SIZE	DWG.NO. 974214	REV. 1	SHEET 1