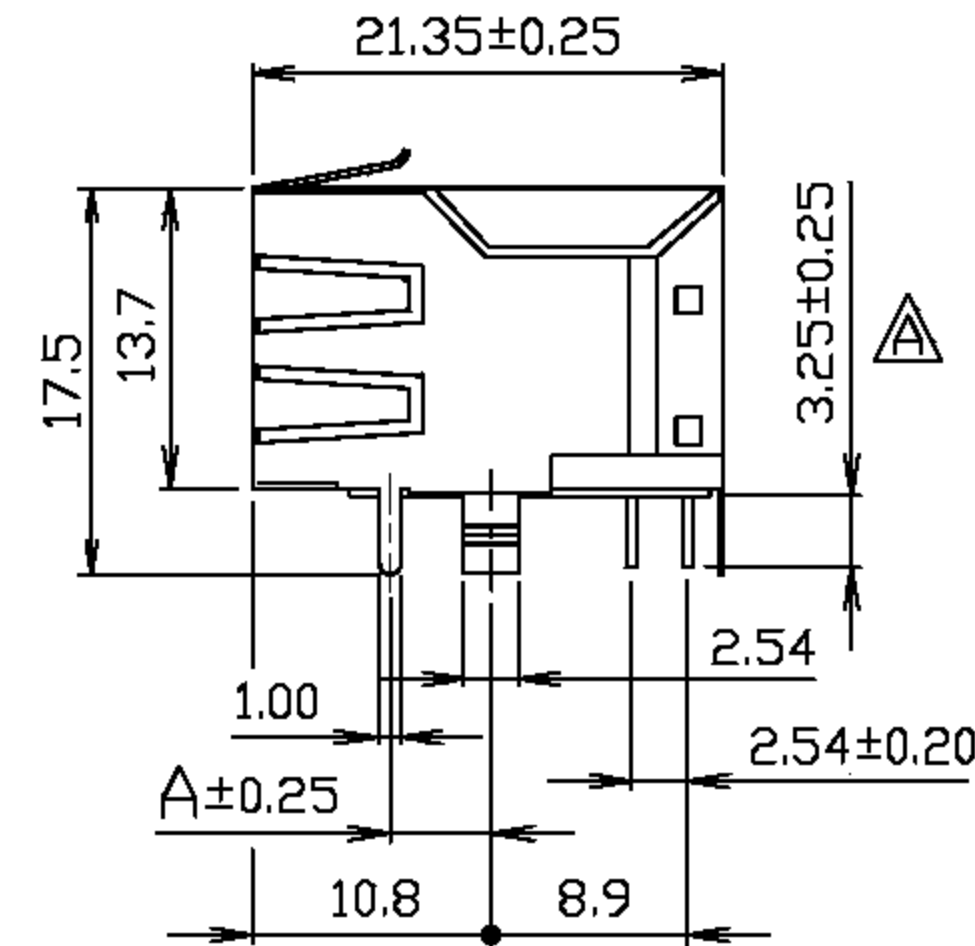
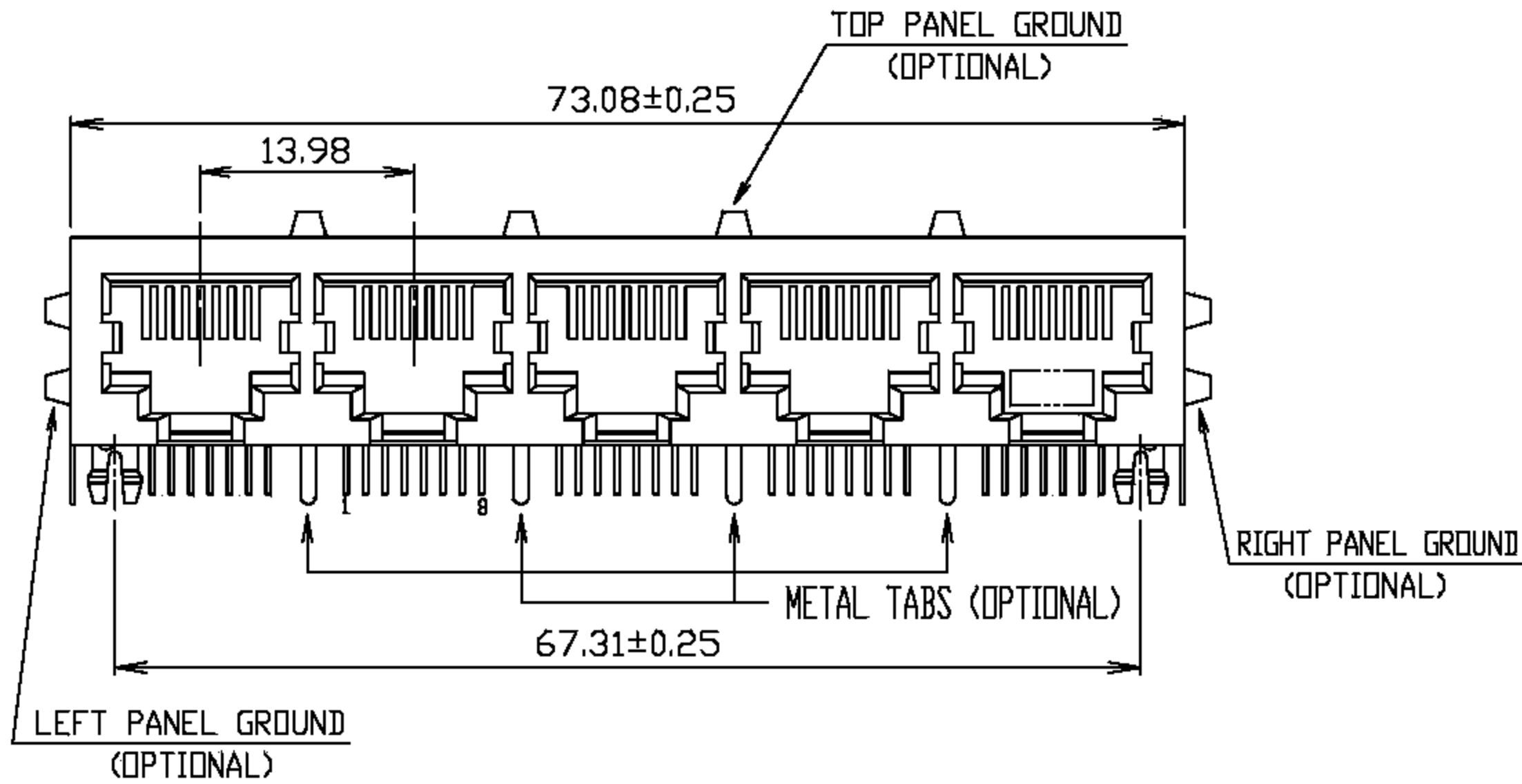
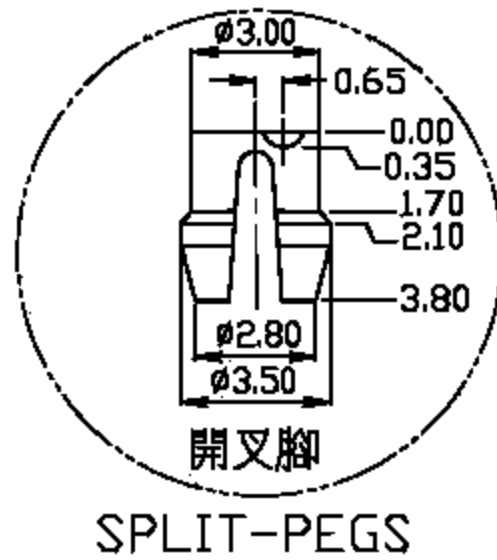
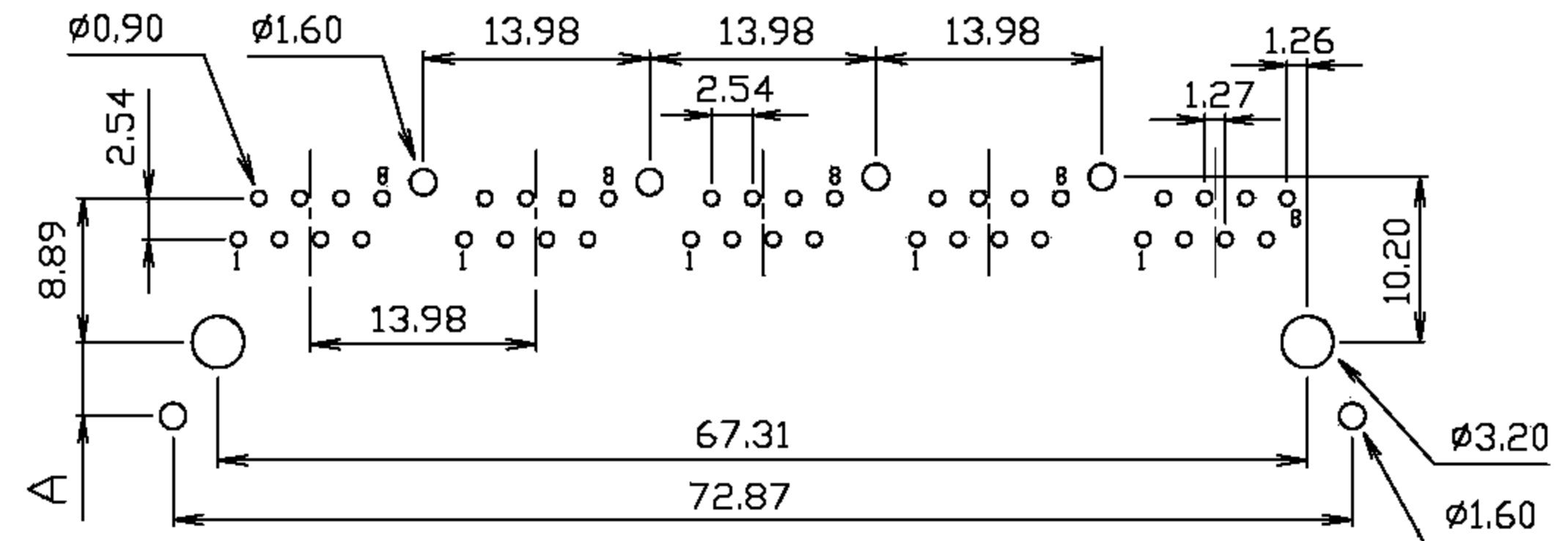
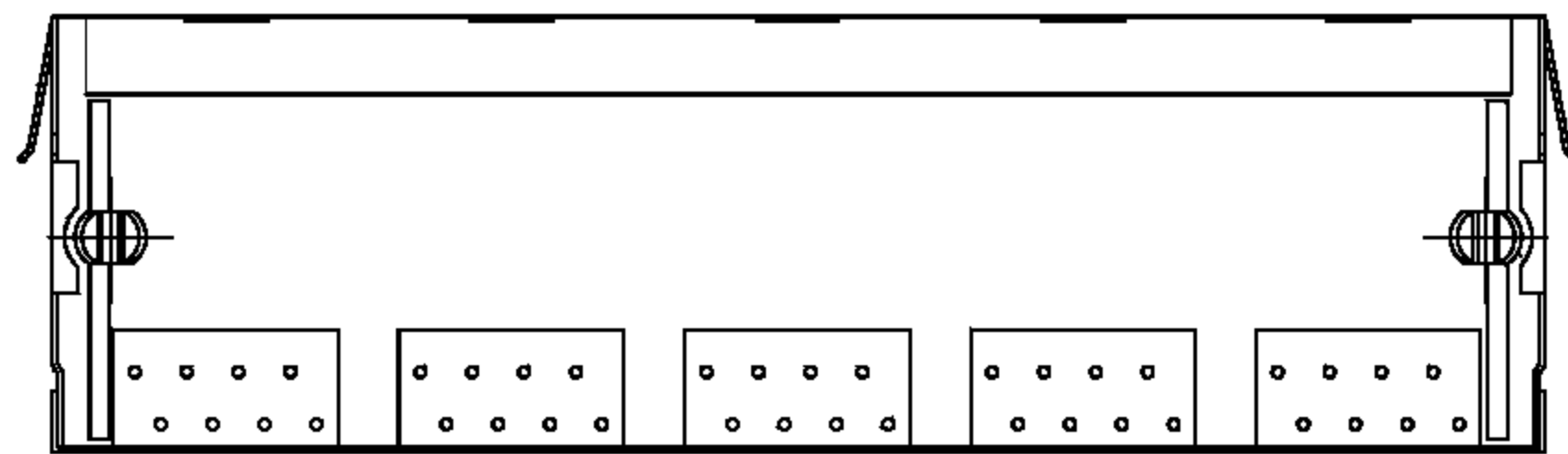


RoHS Compliance



REVISIONS			
LTR	DESCRIPTION	DATE	APP
△	CAR 2.80 ± 0.25	01/17/'08	CHANG



SPLIT-PEGS

PC Board Layout Ref.

DO NOT SCALE DRAWING	TOLERANCES UNLESS OTHERWISE NOTED	INCH	MM	DR.	DATE
		$00 \pm .01$	0.0 ± 0.25	CIAN.CI.LUO	JAN-17 '08
THIRD ANGLE PROJECTION	LINEAR	$000 \pm .005$	0.00 ± 0.13	CK'D	JAN-17 '08
		$0000 \pm .002$	0.000 ± 0.05	M.CHANG	JAN-17 '08
MM INCH	ANGLE $\pm 0^\circ 30'$	RADII	$+ 0.40$ $- 0.15$	APP'D	JAN-18 '08
				W.J.YANG	

淮洋有限公司 HUI YANG CO., LTD.			
TEL : 886-2-8261-8986 FAX : 886-2-8261-1885			
www.hy1688.com.tw 236新北市土城區中央路二段191號10樓之5			
TITLE		5PORTS, RJ45, SHIELDED, FLAT PIN, SIDE ENTRY PCB GANGED JACK	
SCALE	SIZE	DWG.NO.	REV. SHEET
		974212	2 1