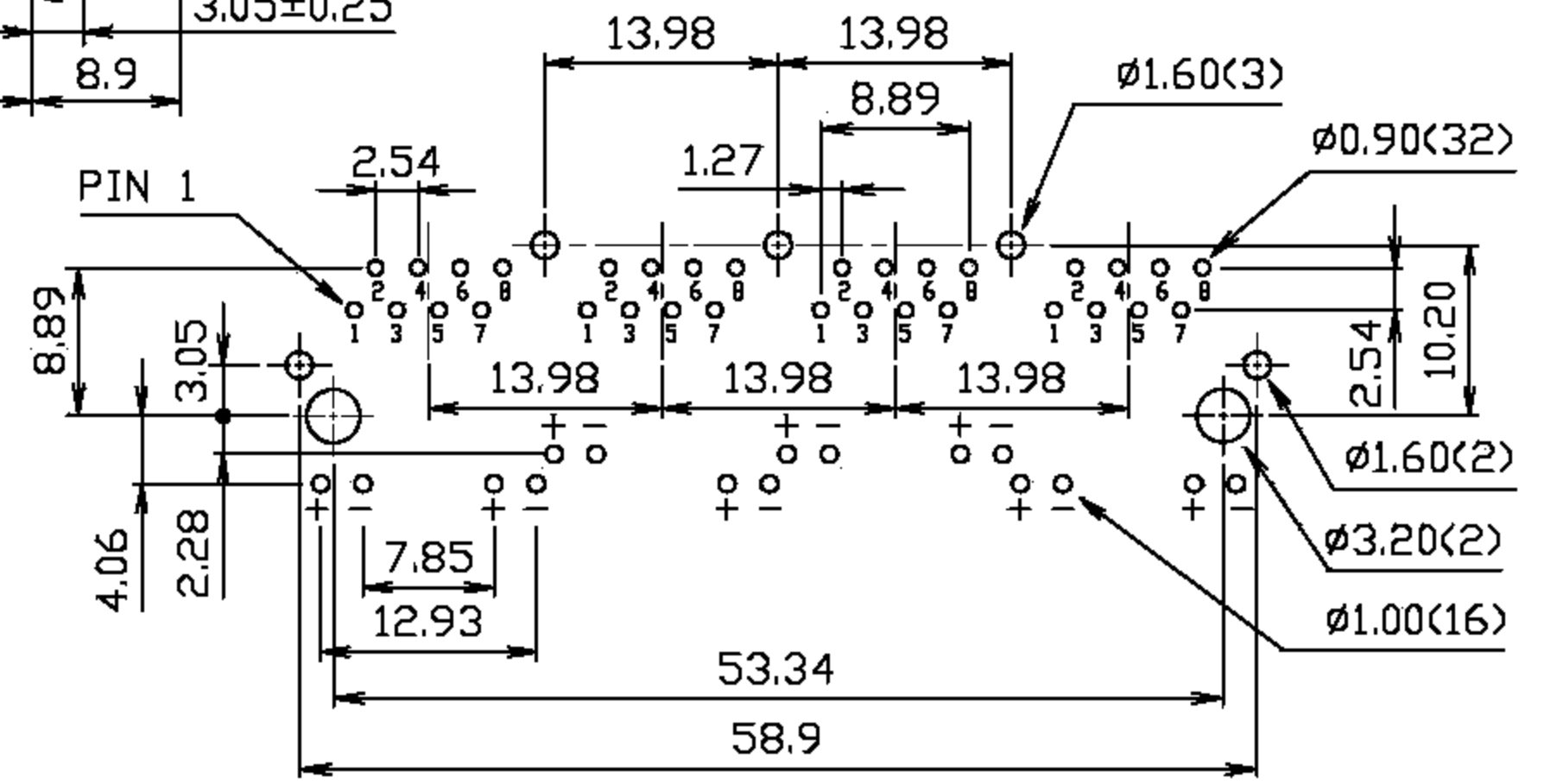
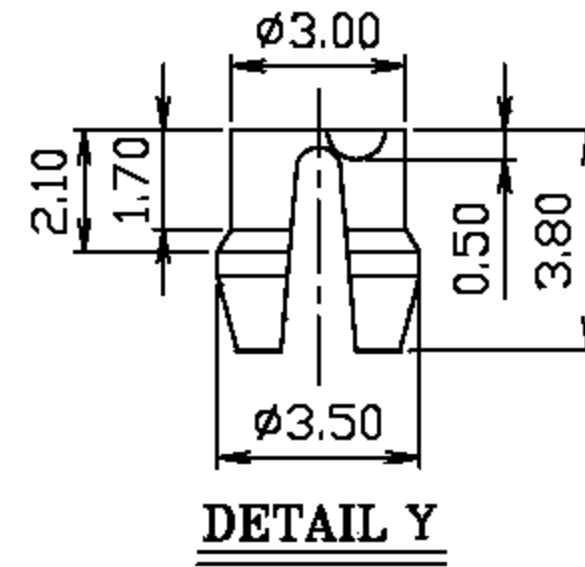
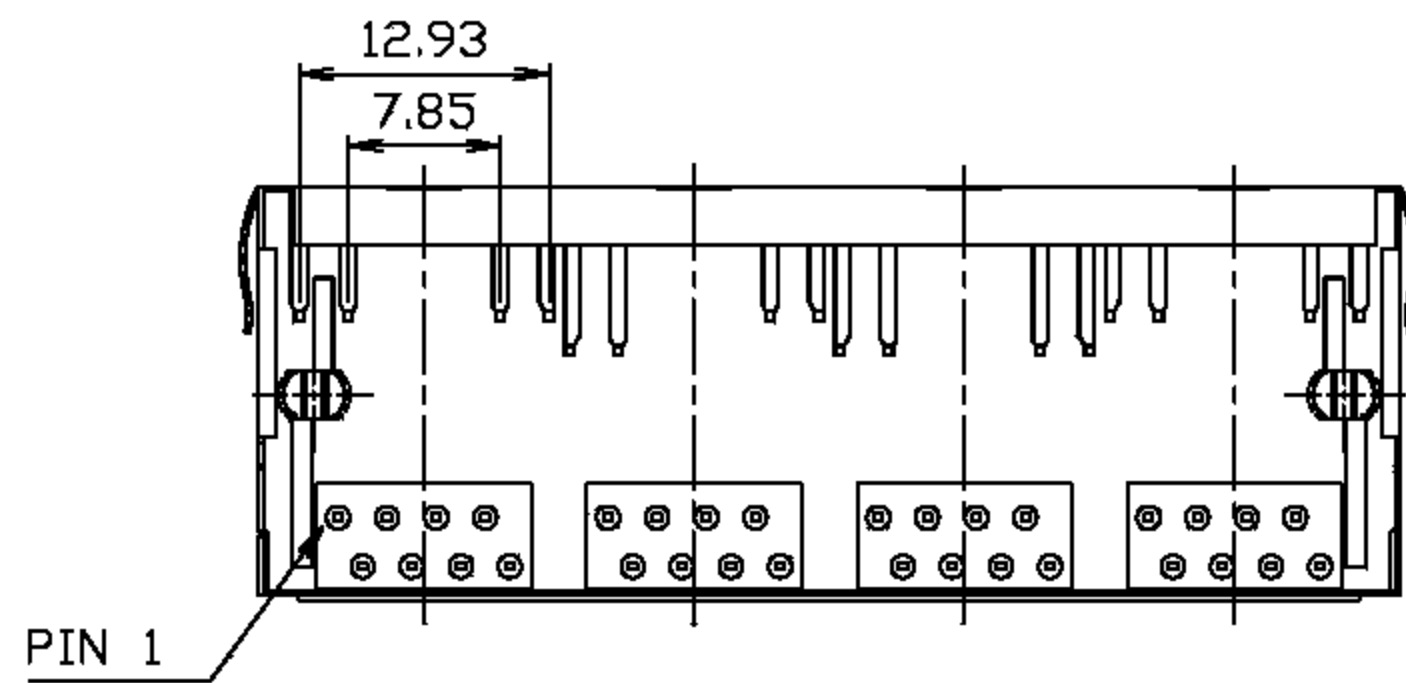
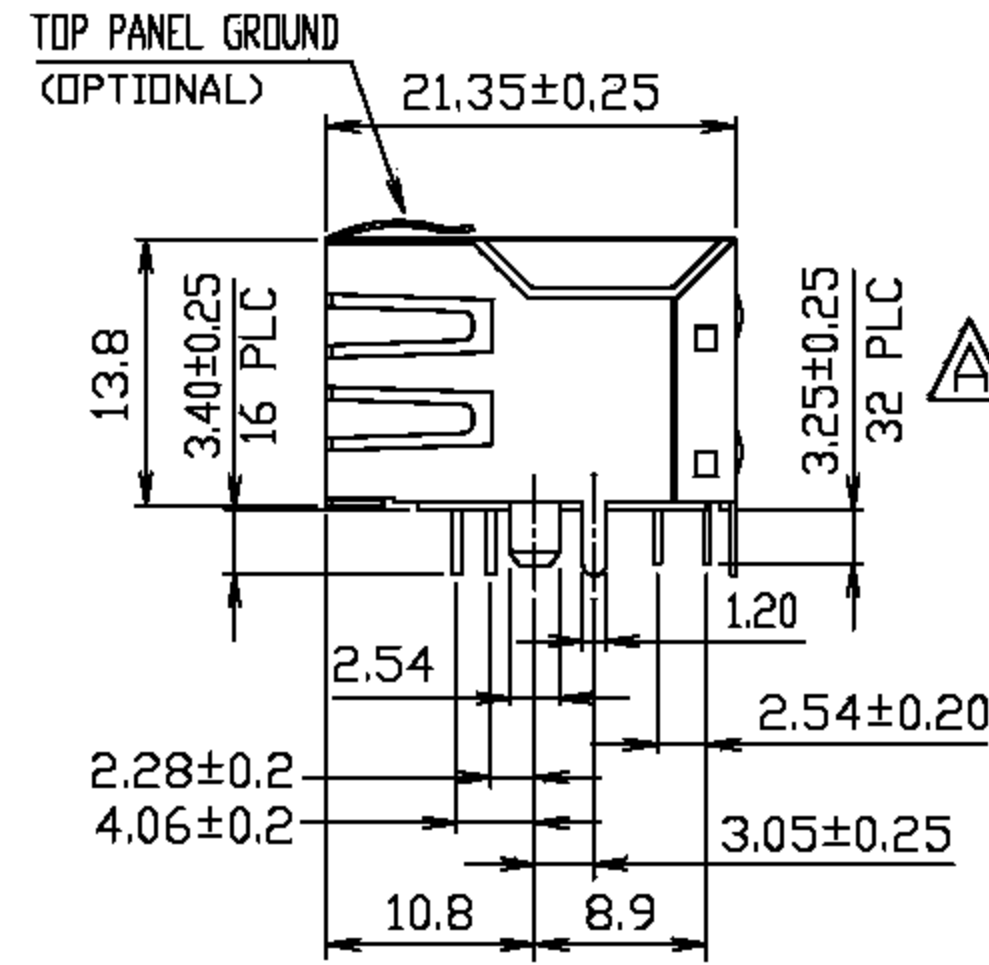
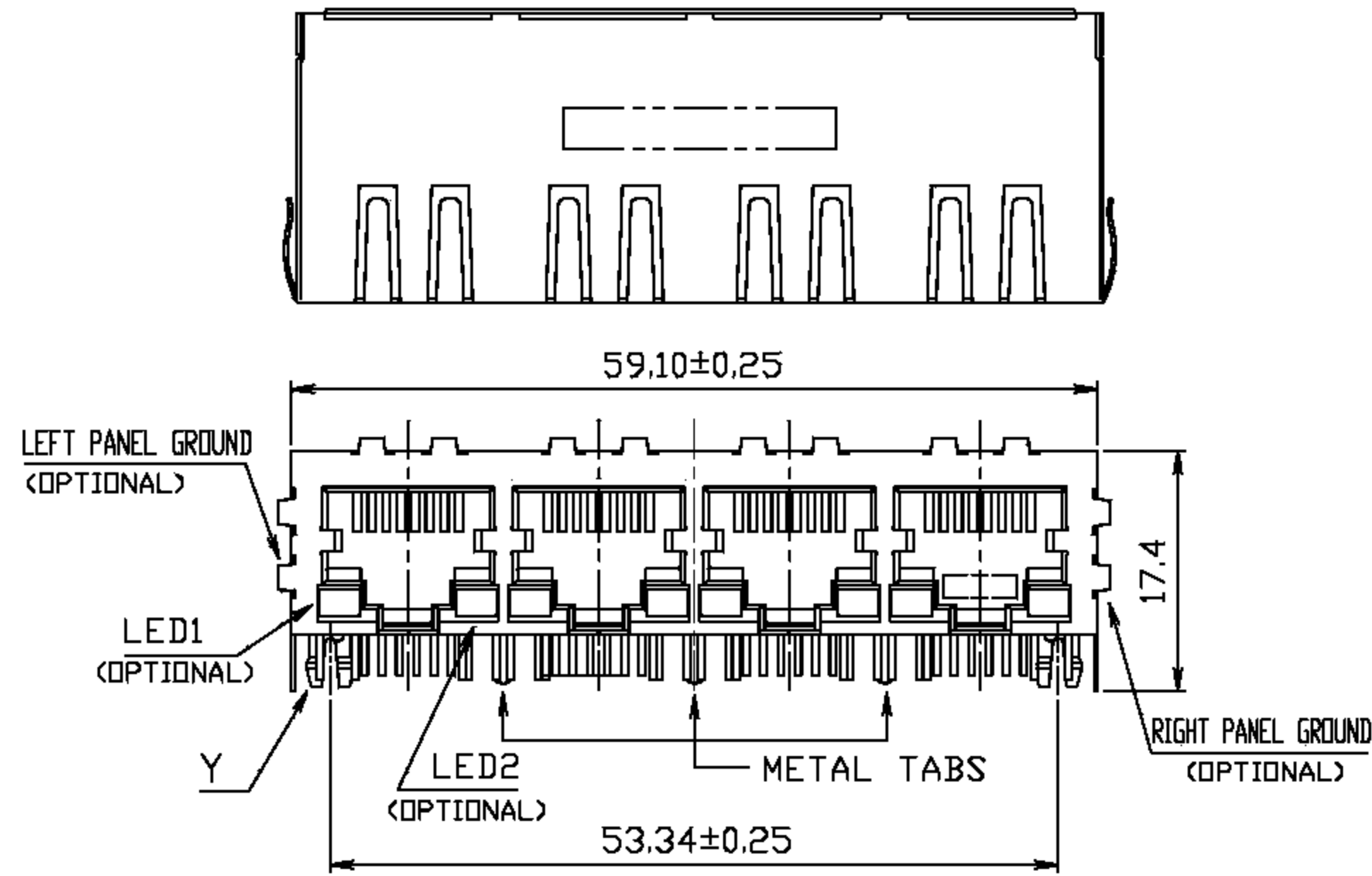


RoHS Compliance



PCB LAYOUT

Ref.

REVISIONS			
LTR	DESCRIPTION	DATE	APP
$\triangle A$	CAR 2.80±0.25	01/17/'08	CHANG

DO NOT SCALE DRAWING	TOLERANCES UNLESS OTHERWISE NOTED	INCH	MM	DR. <i>C.IAN.CI.LUO</i>	DATE JAN-17 '08
\triangle	THIRD ANGLE PROJECTION	LINEAR	MM INCH	00 ± 000 ± 0000 ±	0.0 ± 0.25 0.00 ± 0.20 0.000 ± 0.10
MM INCH	ANGLE ± 0° 30'	RADII		+ 0.40 - 0.15	APP'D <i>W.J.YANG</i> DATE JAN-18 '08

淮洋有限公司 HUI YANG CO., LTD.

TEL : 886-2-8261-8986 FAX : 886-2-8261-1885
www.hy1688.com.tw 236新北市土城區中央路二段191號10樓之5

TITLE 4PORTS, RJ45, SHIELDED, FLAT PIN WITH LED'S, SIDE ENTRY PCB JACK

SCALE	SIZE	DWG.NO.	REV.	SHEET
		974210	4	1